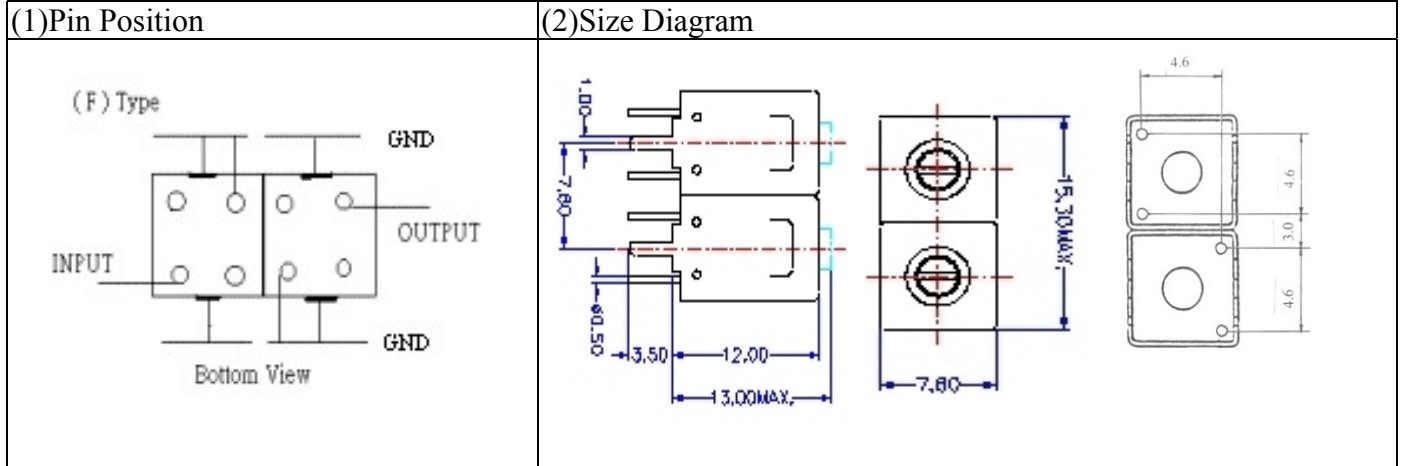


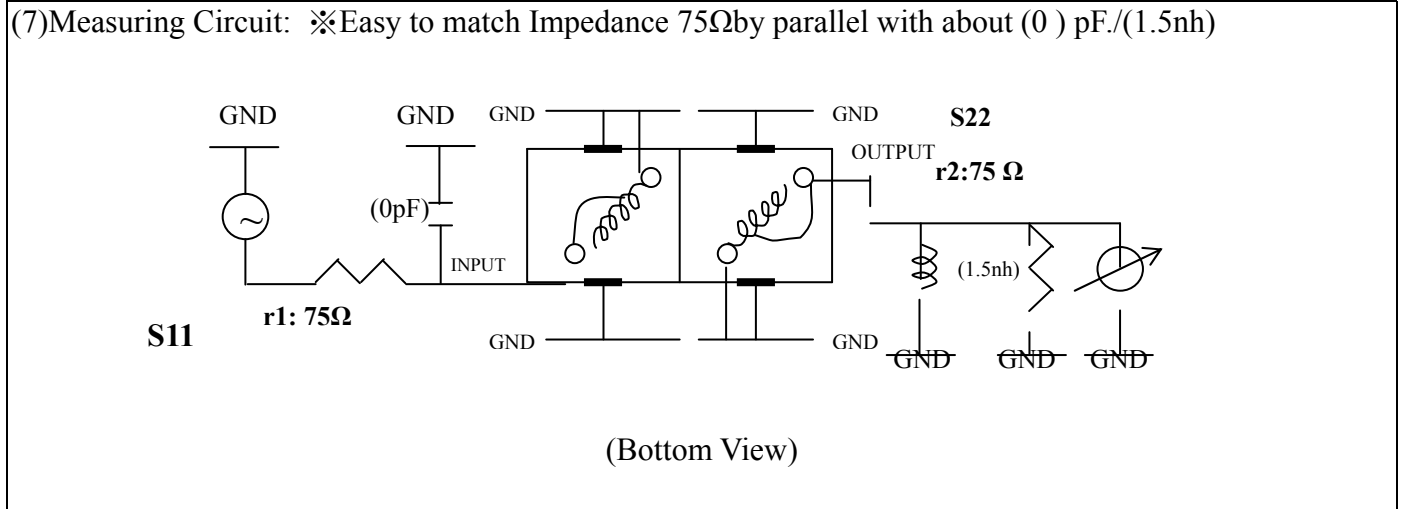
VHF UHF Helical Filter Specification Sheet

Customer Name		Temwell's Part No.	TDL6285F-873.25M
Approval No. /dated	0612120APR	Acceptable Specify Fo Range	861~900 MHz
Work Instruction No.	0612120DC	Date	Jan.04.2007



(3) Electric Character			
Item		Specify	Performance
Center Freq.(Fo) +/- 0.5 %		873.25 MHz	873.25 MHz
Tunable Range		873.25±10 MHz	873.25±10 MHz
Insertion Loss		Typ. 5.5 dB	4.95 dB
-3 dB Bandwidth		Typ. 6 MHz	10.6 MHz
Sensitivity (Attenuation)	Fo - 20 MHz	Typ. 18 dB	21 dB
	Fo + 20 MHz	Typ. 14 dB	17 dB
	Fo - ()MHz	Typ. dB	dB
	Fo +()MHz	Typ. dB	dB
Return Loss		Min. 12 dB	21.0 dB
Ripple		< 1 dB	dB
Impedance		In / Out : 75 Ω	In / Out : 75 Ω
(4) Torque for Tuning Screw		> 100gf · cm	

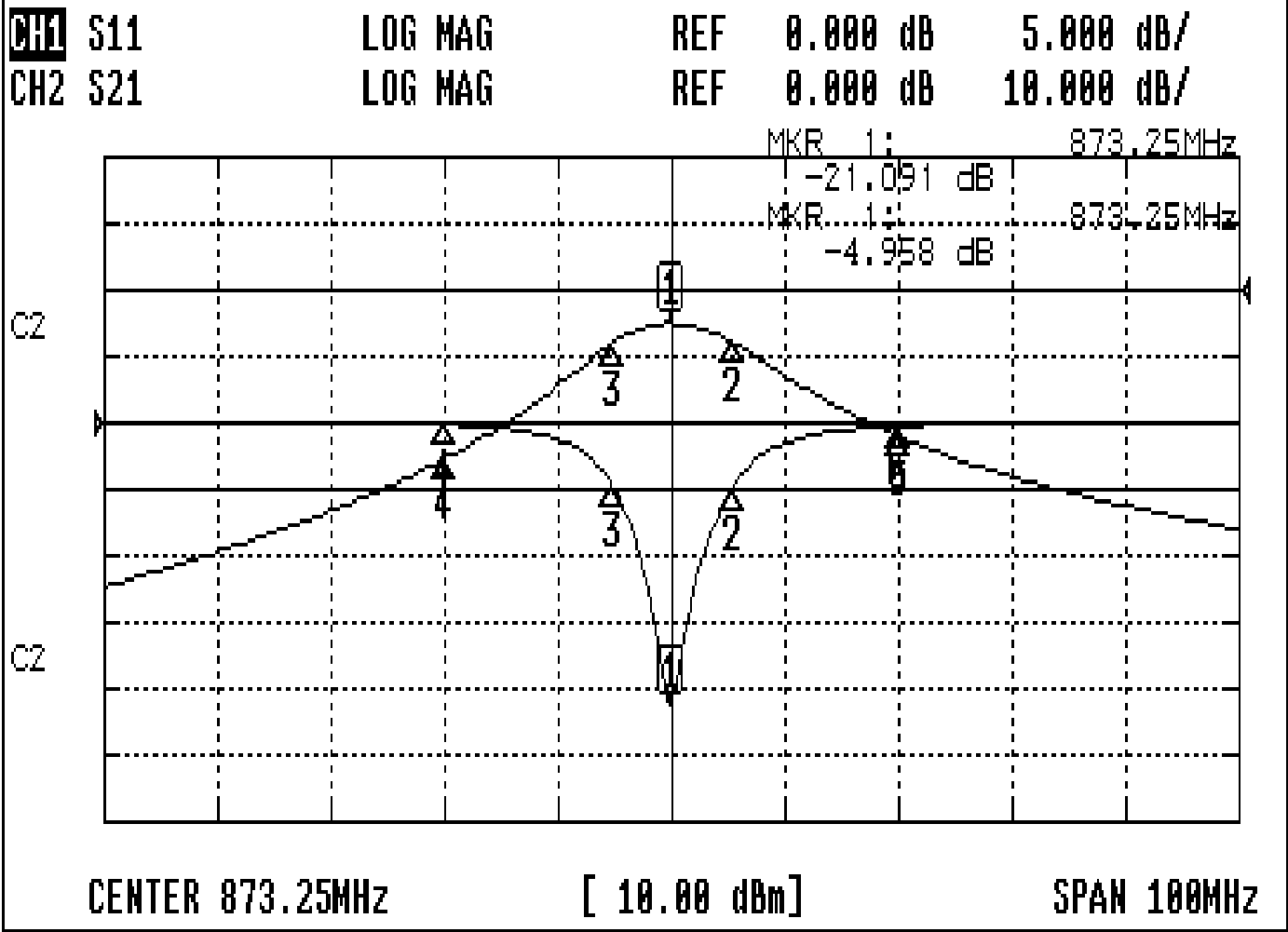
(5) Temperature Condition:	
Operating Temperature	0°C ~ +60°C
Storage Temperature	-20°C ~ +70°C
(6) Input Power	> 1Watt



Approval	Supervisor	Designer	Aperture size
C.Y.Chang	C.S.Chang	P.H.Chiang	7H2(4*4.5)F 7H046LB4 聚 3
TEMWELL CORPORATION			

Performance-TDL6285F-873.25M

0612120DC



CH1 MARKER LIST

1:	873.250MHz	-21.091	dB
2:	878.666MHz	-4.922	dB
3:	868.083MHz	-4.635	dB
4:	853.250MHz	-0.096	dB
5:	893.250MHz	-0.232	dB

CH2 MARKER LIST

1:	873.250MHz	-4.958	dB
2:	878.666MHz	-7.931	dB
3:	868.083MHz	-7.990	dB
4:	853.250MHz	-25.404	dB
5:	893.250MHz	-21.962	dB