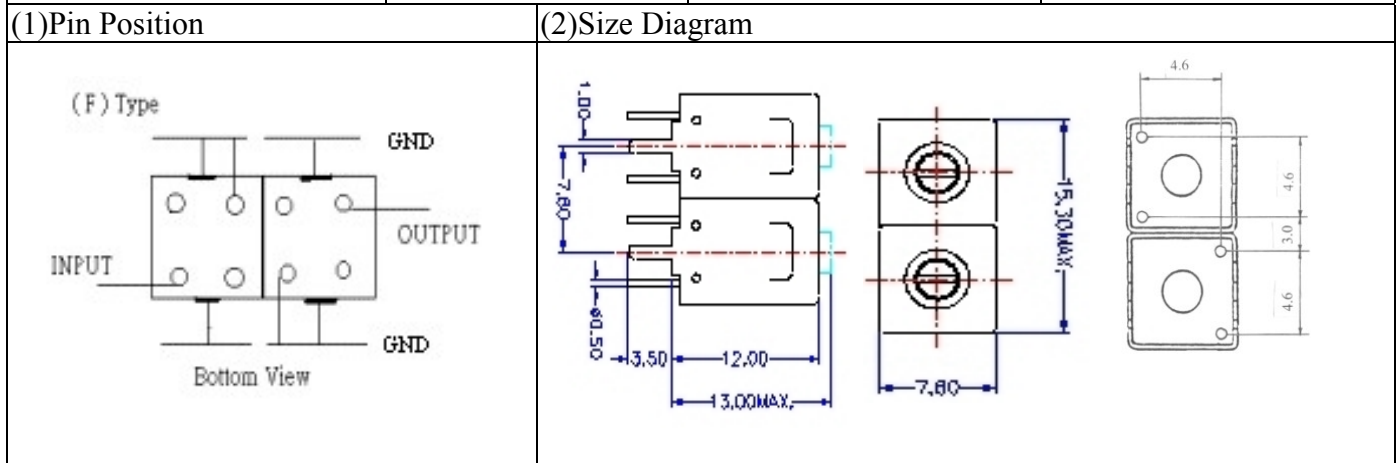


VHF UHF Helical Filter Specification Sheet

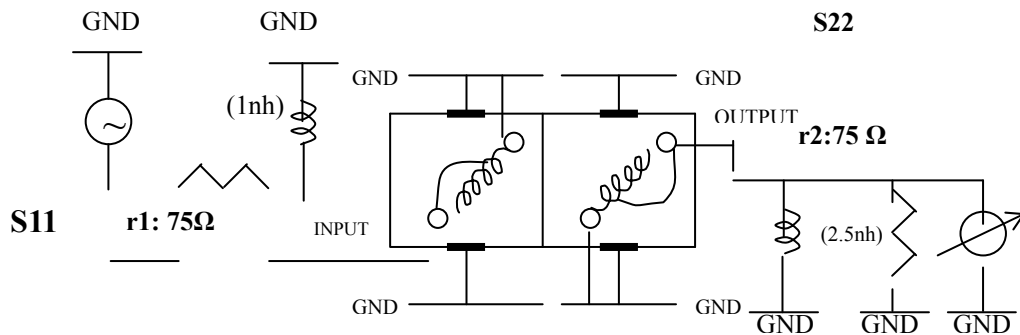
Customer Name		Temwell's Part No.	TDL6286F-879.25M
Approval No. /dated	0612121APR	Acceptable Specify Fo Range	861~900 MHZ
Work Instruction No.	0612121DC	Date	Jan.04.2007



(3) Electric Character

Item	Specify	Performance
Center Freq.(Fo) +/- 0.5 %	879.25 MHz	879.25 MHz
Tunable Range	879.25±10 MHz	879.25±10 MHz
Insertion Loss	Typ. 6.0 dB	5.23 dB
-3 dB Bandwidth	Typ. 6 MHz	10.5 MHz
Sensitivity (Attenuation)	Fo - 20 MHz	Typ. 17 dB
	Fo + 20 MHz	Typ. 14 dB
	Fo - ()MHz	Typ. dB
	Fo +()MHz	Typ. dB
Return Loss	Min. 12 dB	18.5 dB
Ripple	< 1 dB	dB
Impedance	In / Out : 75 Ω	In / Out : 75 Ω
(4) Torque for Tuning Screw	> 100gf • cm	
(5) Temperature Condition:		
Operating Temperature	0°C ~ +60°C	
Storage Temperature	-20°C ~ +70°C	
(6) Input Power	> 1Watt	

(7) Measuring Circuit: ※Easy to match Impedance 75Ωby parallel with about (1) nh./(2.5nh)



(Bottom View)

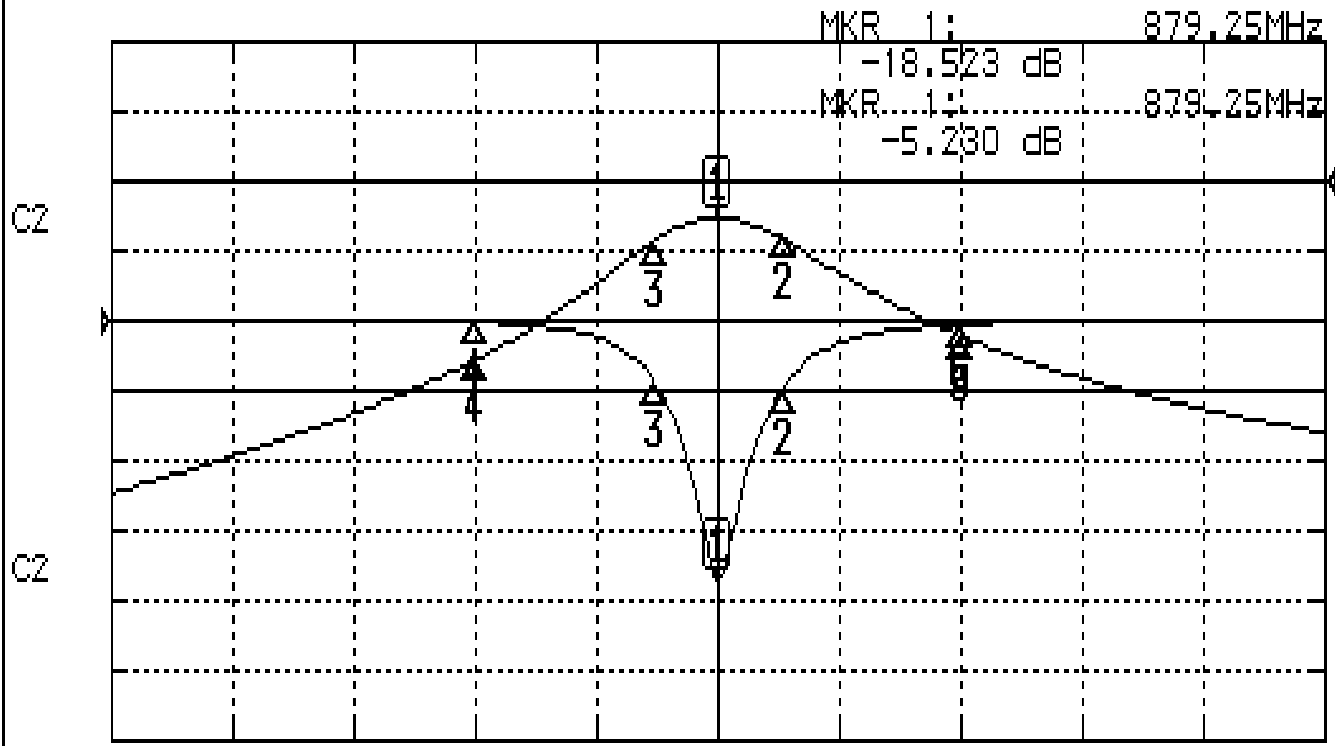
Approval	Supervisor	Designer	Aperture size
C.Y.Chang	C.S.Chang	P.H.Chiang	7H2(4*4.5)F 7H046LB4 聚 3

TEMWELL CORPORATION

Performance-TDL6286F-879.25M

0612121DC

CH1 S11 LOG MAG REF 0.000 dB 5.000 dB/
CH2 S21 LOG MAG REF 0.000 dB 10.000 dB/



CENTER 879.25MHz

[10.00 dBm]

SPAN 100MHz

CH1 MARKER LIST

1:	879.250MHz	-18.523	dB
2:	884.666MHz	-4.844	dB
3:	874.166MHz	-4.447	dB
4:	885.250MHz	-0.095	dB
5:	899.250MHz	-0.248	dB

CH2 MARKER LIST

1:	879.250MHz	-5.230	dB
2:	884.666MHz	-10.261	dB
3:	874.166MHz	-10.224	dB
4:	885.250MHz	-21.486	dB
5:	899.250MHz	-22.068	dB