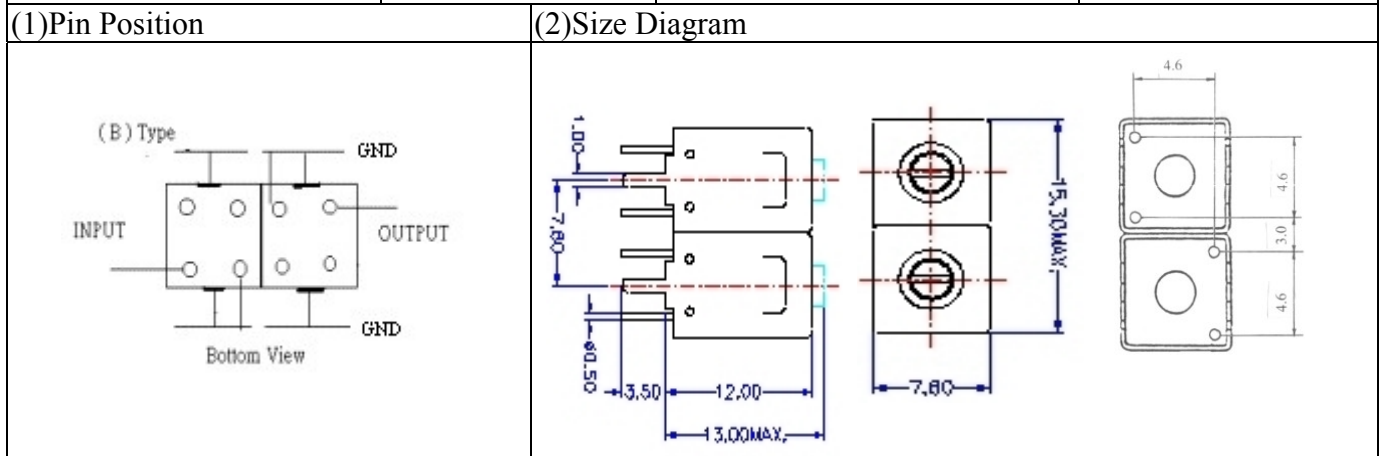


VHF UHF Helical Filter Specification Sheet

| | | | |
|----------------------|-------------|------------------------------|-----------------|
| Customer Name | | Temwell's Part No. | TDL6704B-471.2M |
| Approval No. /dated | 20311009APR | Acceptable Specify Fo. Range | 456~515 MHz |
| Work Instruction No. | 0605068A | Date | Jul.03.2006 |



(3) Electric Characteristic

| Item | Specify | Performance | |
|----------------------------|-----------------|-----------------|--------|
| Center Freq.(Fo) +/- 0.5 % | 471.2 MHz | 471.2 MHz | |
| Tunable Range | 471.2±5 MHz | 471.2±5 MHz | |
| Insertion Loss | Typ. 3.0 dB | 2.05 dB | |
| -3 dB Bandwidth | Typ. 11 MHz | 13.5 MHz | |
| Sensitivity (Attenuation) | Fo - 50 MHz | Typ. 42 dBc | 45 dBc |
| | Fo + 50 MHz | Typ. 25 dBc | 28 dBc |
| | Fo - ()MHz | Typ. dBc | dBc |
| | Fo + ()MHz | Typ. dBc | dBc |
| Return Loss | Min. 12 dB | 28.1 dB | |
| Ripple | < 1 dB | dB | |
| Impedance | In / Out : 75 Ω | In / Out : 75 Ω | |

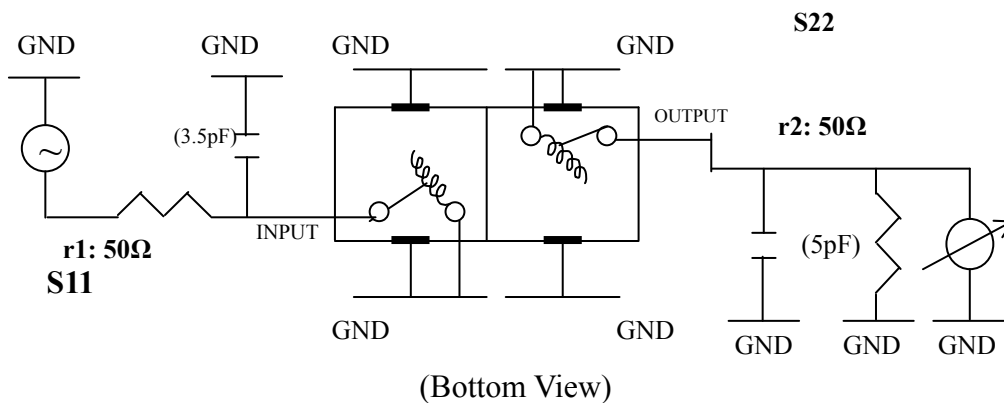
(4) Torque for Tuning Screw > 100gf · cm

(5) Temperature Condition:

| | |
|-----------------------|---------------|
| Operating Temperature | 0°C ~ +60°C |
| Storage Temperature | -20°C ~ +70°C |

(6) Input Power > 1 Watt

(7) Measuring Circuit: ※Easy to match Impedance /75Ω by parallel with about (0~5) pF.

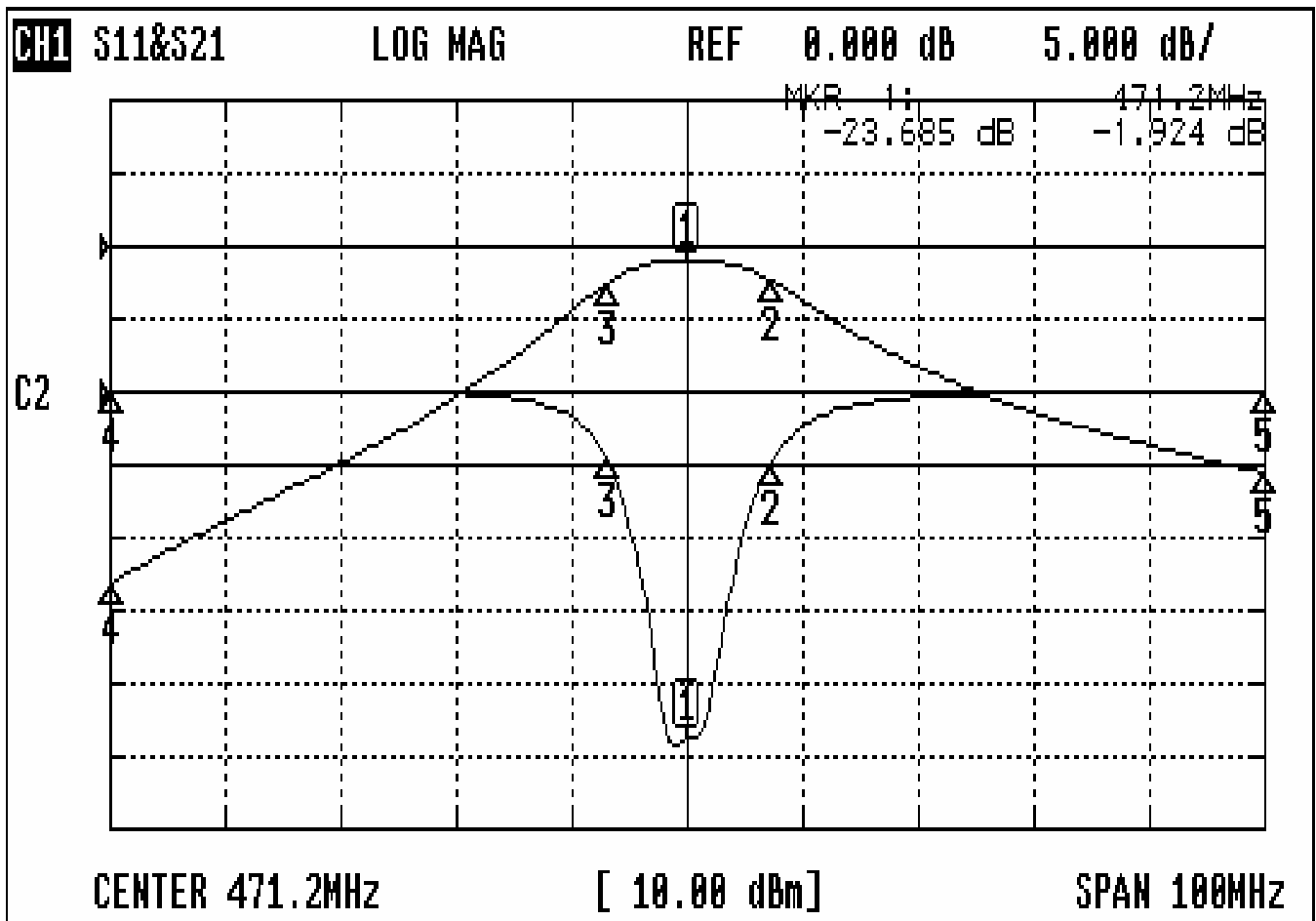


| | | | |
|-------------|------------|----------|-------------------------------|
| Approval | Supervisor | Designer | Aperture size |
| C. Y. Chang | C.S.Chang | J.F.Lin | 7H2(4*5.5F)(5.59) 7H046RB4 |

TEMWELL CORPORATION

Performance-TDL6704B-471.2M

0605068A



CH1 MARKER LIST

| | | | |
|-----|------------|------------|------------|
| 1: | 471.200MHz | -23.685 dB | -1.924 dB |
| 2: | 478.616MHz | -4.734 dB | -4.897 dB |
| 3: | 464.283MHz | -4.600 dB | -4.928 dB |
| 4: | 421.200MHz | 0.079 dB | -46.409 dB |
| 5: | 521.200MHz | 0.075 dB | -30.990 dB |
| 6: | | | |
| 7: | | | |
| 8: | | | |
| 9: | | | |
| 10: | | | |