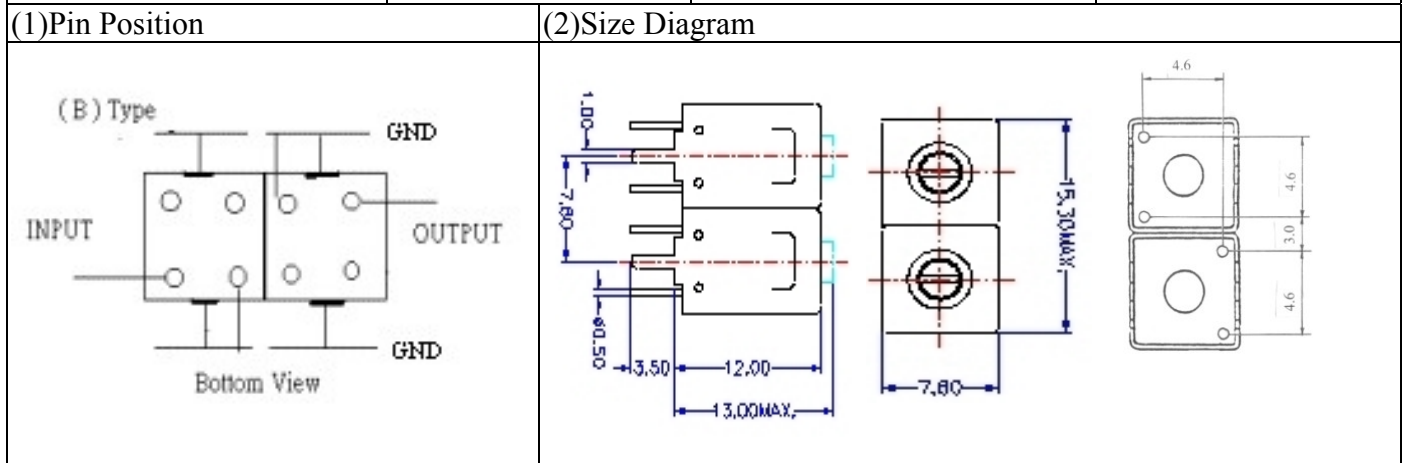


VHF UHF Helical Filter Specification Sheet

Customer Name		Temwell's Part No.	TDL6704B1-287.25M
Approval No. /dated	0612030APR	Acceptable Fo Specify Range	276-310MHz
Work Instruction No.	0612030DB	Date	Dce.18.2006



(3) Electric Character

Item	Specify	Performance	
Center Freq.(Fo) +/- 0.5 %	287.25 MHz	287.25 MHz	
Tunable Range	287.25±4 MHz	287.25±4 MHz	
Insertion Loss	Typ. 3.5 dB	2.40 dB	
-3 dB Bandwidth	Typ. 8 MHz	9 MHz	
Sensitivity (Attenuation)	Fo - 50 MHz	Typ. 42 dBc	45 dBc
	Fo + 50 MHz	Typ. 37 dBc	40 dBc
	Fo - ()MHz	Typ. dBc	dBc
	Fo +()MHz	Typ. dBc	dBc
Return Loss	Min. 12 dB	23.3 dB	
Ripple	< 1 dB	dB	
Impedance	In / Out : 75 Ω	In / Out : 75 Ω	

(4) Torque for Tuning Screw > 100gf · cm

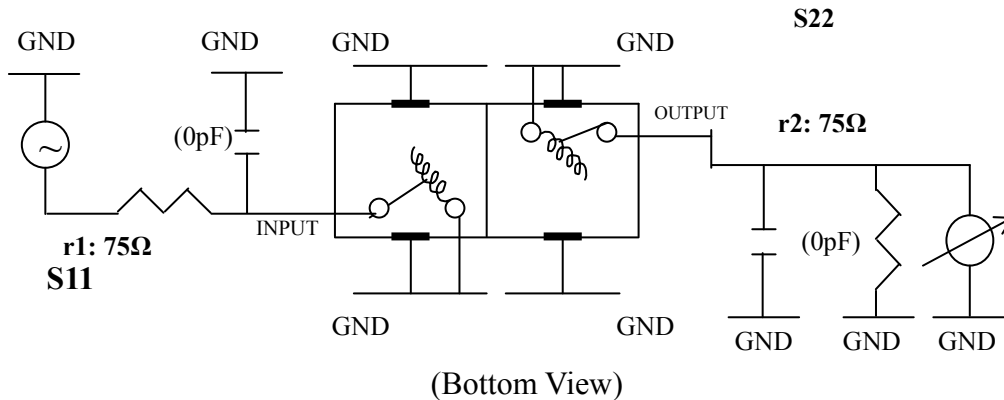
(5) Temperature Condition:

Operating Temperature 0°C ~ +60°C

Storage Temperature -20°C ~ +70°C

(6) Input Power > 1Watt

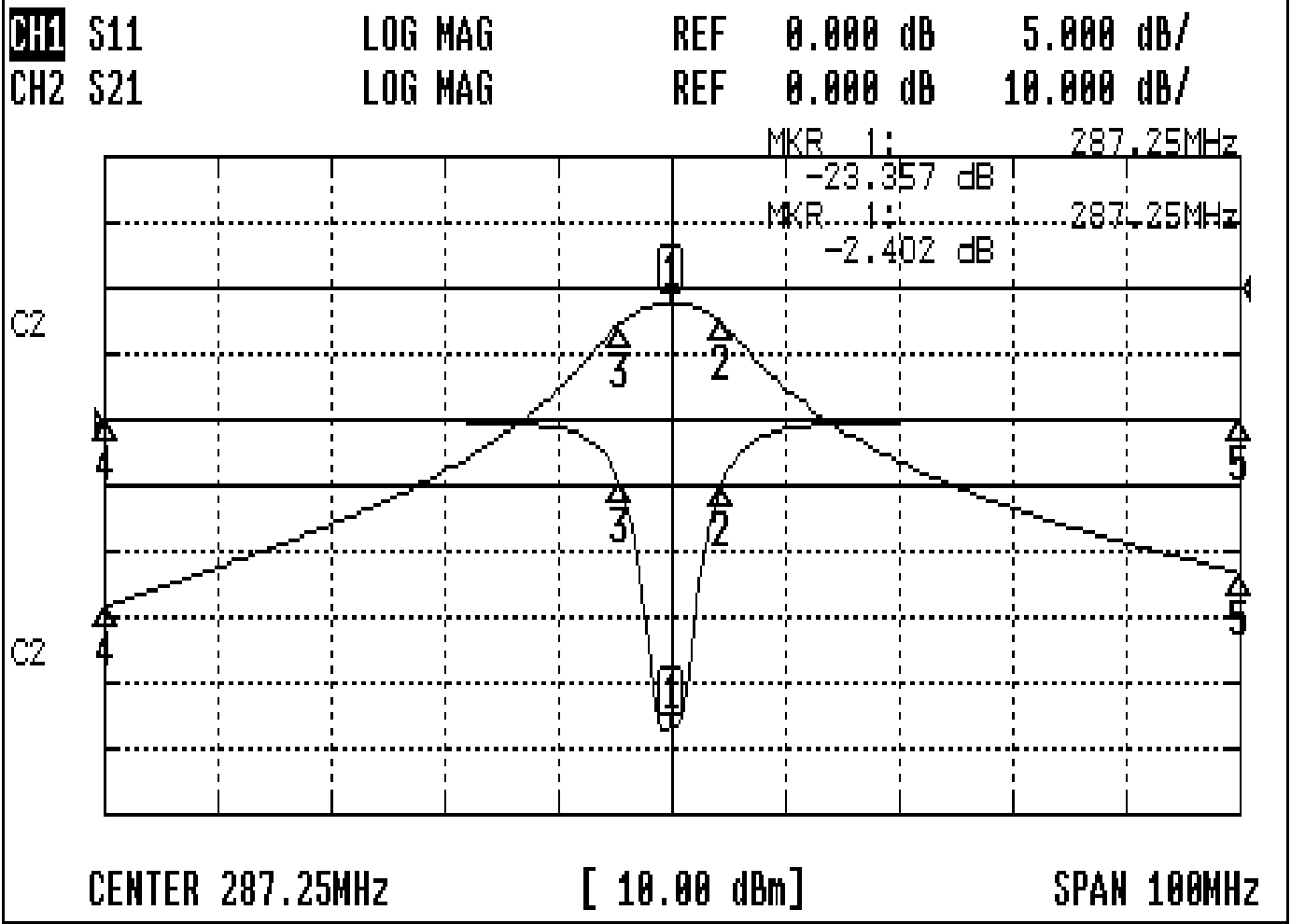
(7) Measuring Circuit: ※Easy to match Impedance 50Ω/75Ω by parallel with about (0) pF.



Approval	Supervisor	Designer	Aperture size
C.Y.Chang	C.S.Chang	P.H.Chiang	7H2(4*5.5) 7H046RB4
TEMWELL CORPORATION			

Performance-TDL6704B1-287.25M

0612030DB



CH1 MARKER LIST

Marker	Frequency (MHz)	Magnitude (dB)
1	287.250	-23.357
2	291.666	-5.054
3	282.666	-4.712
4	237.250	-0.031
5	337.250	-0.018

CH2 MARKER LIST

Marker	Frequency (MHz)	Magnitude (dB)
1	287.250	-2.404
2	291.666	-1.414
3	282.666	-1.431
4	237.250	-48.290
5	337.250	-43.226