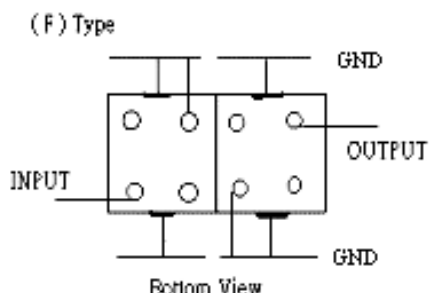
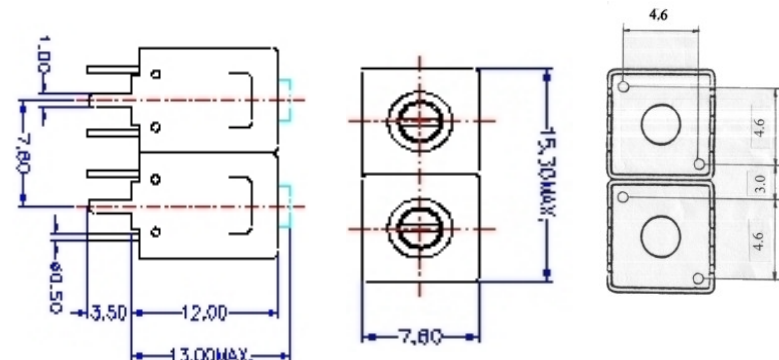


VHF UHF Helical Filter Specification Sheet

Customer Name		Temwell's Part No.	TDL67110F-640M
Approval No. /dated	20405056DC	Acceptable Specify Fo. Range	596~640MHz
Work Instruction No.	20405056DC	Date	May.27.2004

<p>(1) Pin Position</p>  <p>(F) Type Bottom View</p>	<p>(2) Size Diagram</p> 
---	--

(3) Electric Character

Item	Specify	Performance	
Center Freq.(Fo) +/- 0.5 %	640 MHz	640 MHz	
Tunable Range	640±5 MHz	640±5 MHz	
Insertion Loss	Typ. 2.5 dB	1.6 dB	
-3 dB Bandwidth	Typ. 20 MHz	24 MHz	
Sensitivity (Attenuation)	Fo - 50 MHz	Typ. 24 dBc	27 dBc
	Fo + 50 MHz	Typ. 17 dBc	20 dBc
	Fo - (600)MHz	Typ. 20 dBc	23 dBc
	Fo +()MHz	Typ. dBc	dBc
Return Loss	Min. 12 dB	22.0 dB	
Ripple	< 1 dB	dB	
Impedance	In / Out : 75 Ω	In / Out : 75 Ω	

(4) Torque for Tuning Screw	> 100gf · cm
-----------------------------	--------------

(5) Temperature Condition:

Operating Temperature	0°C ~ +60°C
Storage Temperature	-20°C ~ +70°C

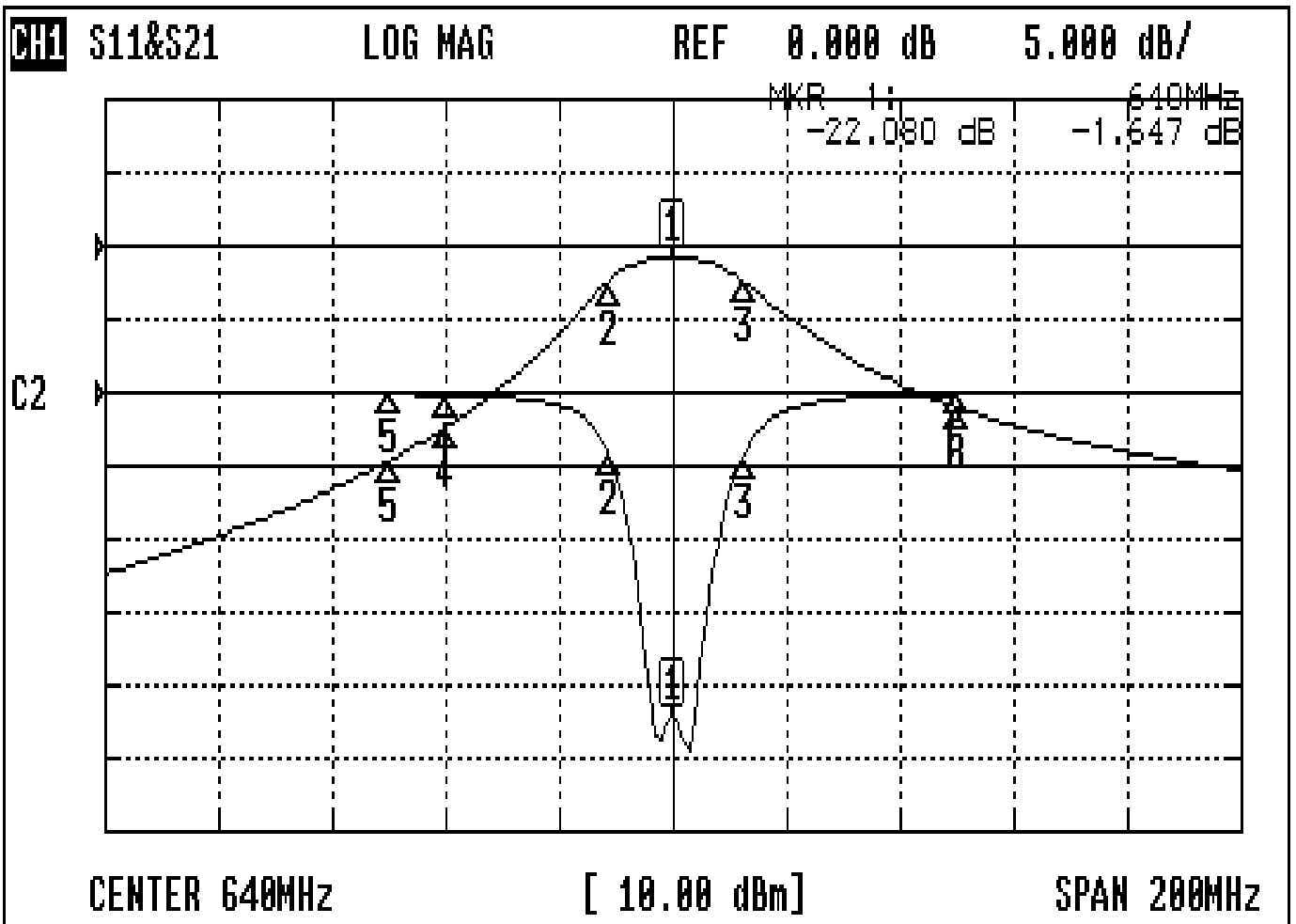
(6) Input Power	> 1Watt
-----------------	---------

Approval	Supervisor	Designer	Aperture size
C.Y.Chang	C.S.Chang	C.S.Chang	7H2 (4*5.5)(5.65) 7H046LB4 聚 3

TEMWELL CORPORATION

Performance- TDL67110F-640M

20405056DC



CH1 MARKER LIST

1:	640.000MHz	-22.080 dB	-1.647 dB
2:	628.800MHz	-4.252 dB	-4.626 dB
3:	652.333MHz	-4.388 dB	-4.694 dB
4:	600.000MHz	-0.166 dB	-24.699 dB
5:	590.000MHz	-0.109 dB	-29.237 dB
6:	690.000MHz	-0.127 dB	-21.972 dB
7:			
8:			
9:			
10:			