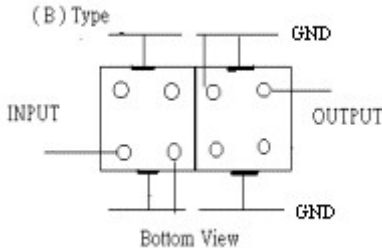
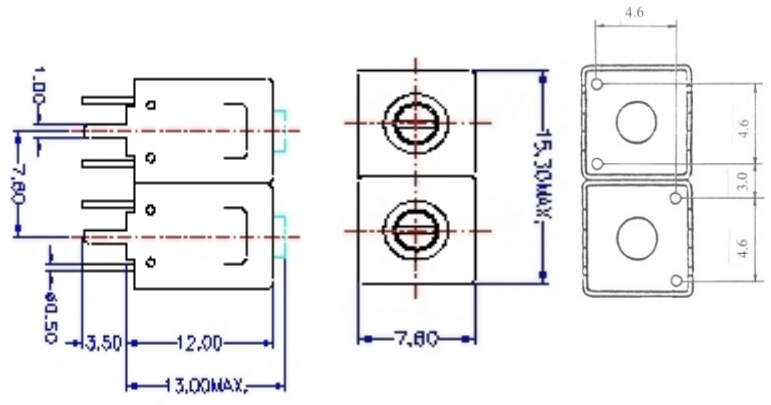


VHF UHF Helical Filter Specification Sheet

Customer Name		Temwell's Part No.	TDL6712B-155M
Approval No. /dated	20206011DB	Acceptable Specify Fo. Range	146~165M
Work Instruction No.	20206011DB	Date	2002.06.13

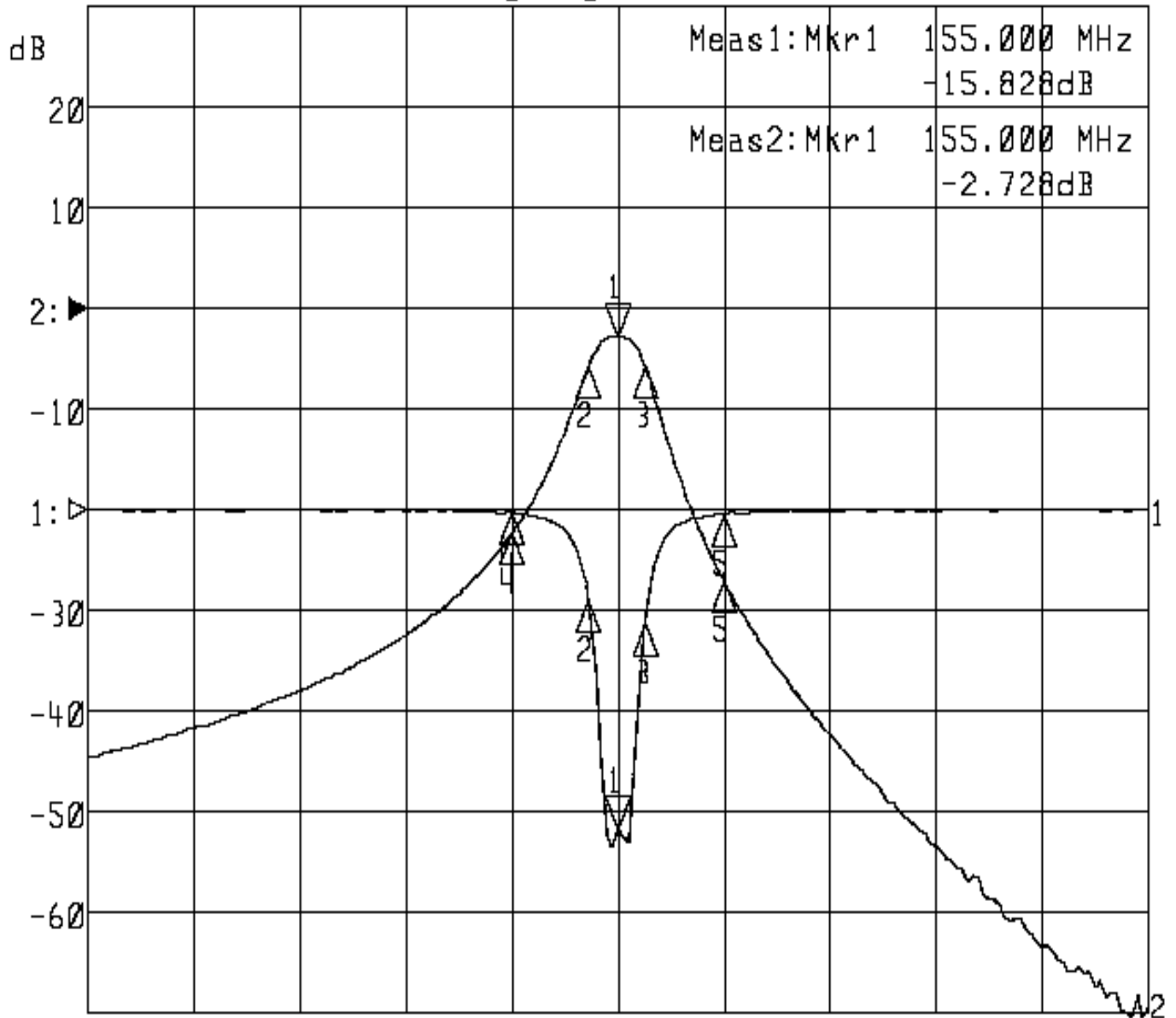
(1)Pin Position	(2)Size Diagram
 <p>(B) Type INPUT OUTPUT GND GND Bottom View</p>	 <p>1.00 7.80 80.50 3.50 12.00 13.00MAX. 7.80 15.30MAX. 4.6 4.6 3.0 4.6</p>

(3)Electric Characteristic			
Item		Specify	Performance
Center Freq.(Fo) +/- 0.5 %		155 MHz	155 MHz
Tunable Range		155±2 MHz	155±2 MHz
Insertion Loss		Typ. 3.5 dB	2.7 dB
-3 dB Bandwidth		Typ. 4 MHz	5 MHz
Sensitivity (Attenuation)	Fo - 10 MHz	Typ. 16 dBc	19 dBc
	Fo + 10 MHz	Typ. 21 dBc	24 dBc
	Fo - ()MHz	Typ. dBc	dBc
	Fo +()MHz	Typ. dBc	dBc
Return Loss		Min. 12 dB	15.8 dB
Ripple		< 1 dB	dB
Impedance		In / Out : 75 Ω	In / Out : 75 Ω
(4)Torque for Tuning Screw		> 100gf • cm	
(5)Temperature Condition:			
Operating Temperature		0°C ~ +60°C	
Storage Temperature		-20°C ~ +70°C	
(6)Input Power		> 1Watt	
Approval	Supervisor	Designer	Aperture size
C. Y. Chang	C.S. Chang	C. S. Chang	7H2S(4*5.5) 7H024RB4
TEMWELL CORPORATION			

Performance-TDL6712B-155M

20206011DB

▶1:S11 Refl Port1 Log Mag 5.0 dB/ Ref 0.00 dB C
▶2:S21 Fwd Trans Log Mag 10.0 dB/ Ref 0.00 dB C



Center 155.000 MHz

Span 100.000 MHz

1:Mkr (MHz)	dB	2:Mkr (MHz)	dB
1> 155.0000	-15.828	1> 155.0000	-2.728
2: 152.2333	-4.463	2: 152.2333	-5.761
3: 157.5667	-5.627	3: 157.5667	-5.673
4: 145.0000	-0.118	4: 145.0000	-22.372
5: 165.0000	-0.274	5: 165.0000	-27.026