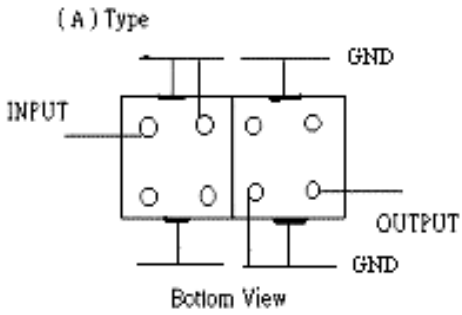
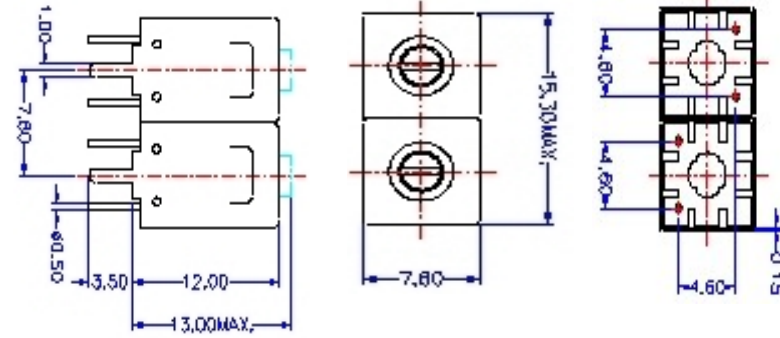


VHF UHF Helical Filter Specification Sheet

Customer Name		Temwell's Part No.	TDL67328A-880M
Approval No. /dated	20404080DC	Acceptable Specify Fo. Range	861~900MHz
Work Instruction No.	20404080DC	Date	May.03.2004

<p>(1)Pin Position</p>  <p style="text-align: center;">(A) Type Bottom View</p>	<p>(2)Size Diagram</p> 
--	---

(3)Electric Character

Item	Specify	Performance
Center Freq.(Fo) +/- 0.5 %	880 MHz	880 MHz
Tunable Range	880±10 MHz	880±15 MHz
Insertion Loss	Typ. 4.0 dB	2.8 dB
-3 dB Bandwidth	Typ. 22 MHz	26 MHz
Sensitivity (Attenuation)	Fo 858 MHz	Typ. 6 dBc
	Fo + 50 MHz	Typ. 15 dBc
	Fo - ()MHz	Typ. dBc
	Fo +()MHz	Typ. dBc
Return Loss	Min. 12 dB	16.7 dB
Ripple	< 1 dB	dB
Impedance	In / Out : 75 Ω	In / Out : 75 Ω

(4)Torque for Tuning Screw	> 100gf • cm
----------------------------	--------------

(5)Temperature Condition:

Operating Temperature	0°C ~ +60°C
Storage Temperature	-20°C ~ +70°C

(6)Input Power	> 1Watt
----------------	---------

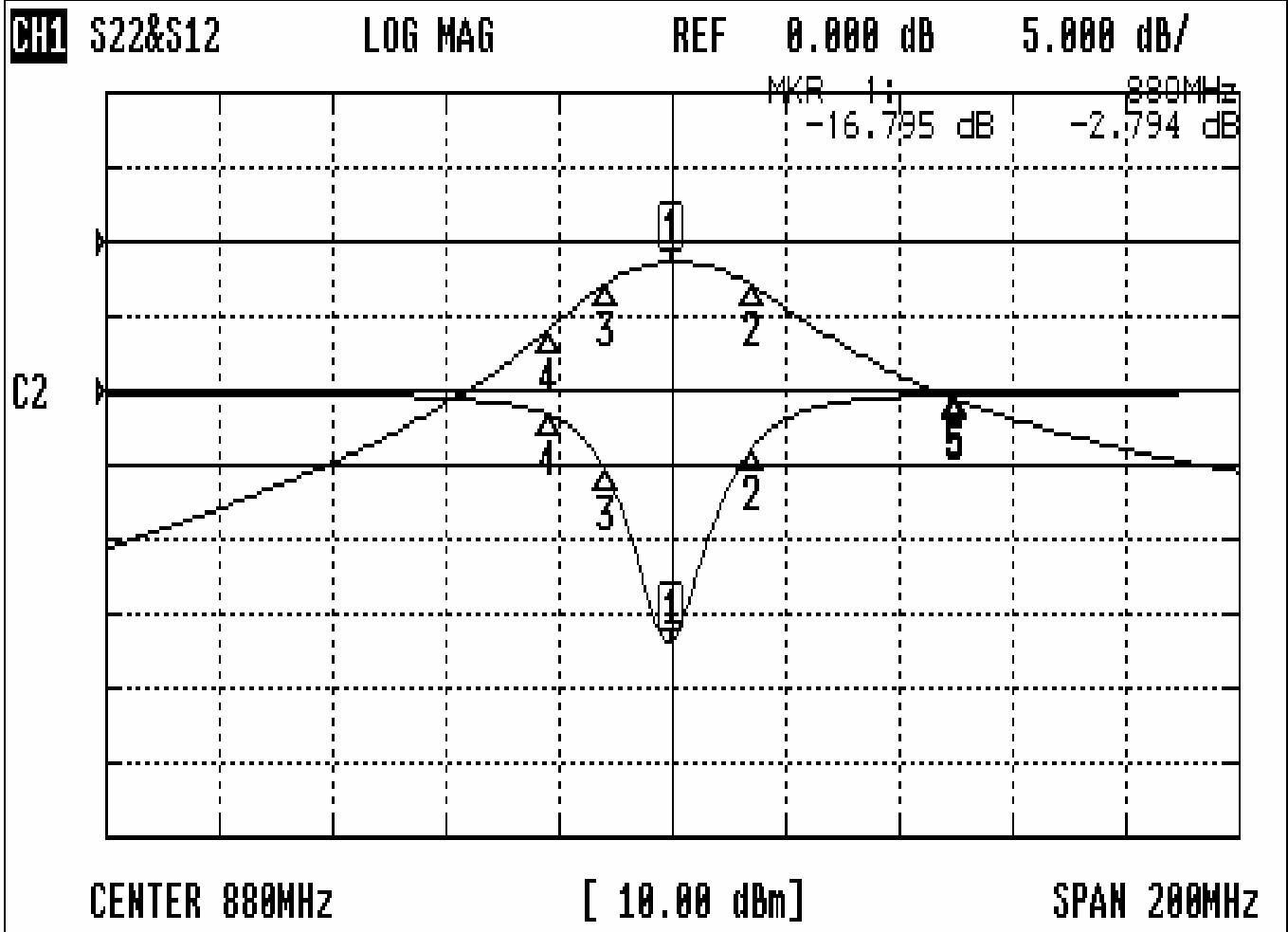
Approval	Supervisor	Designer	Aperture size
C.Y.Chang	C.S.Chang	C.S.Chang	7H2 (4*5.5)(5.7) 7H046LB4 聚 3

TEMWELL CORPORATION

RF Filter & Duplexer Manufacturer : TDL67328A-880M rvbw 0505

Performance- TDL67328A-880M

20404080DC



CH1 MARKER LIST

1:	880.000MHz	-16.795 dB	-2.794 dB
2:	894.000MHz	-3.949 dB	-5.790 dB
3:	868.000MHz	-5.154 dB	-5.761 dB
4:	858.000MHz	-1.596 dB	-11.907 dB
5:	930.000MHz	-0.259 dB	-21.096 dB
6:			
7:			
8:			
9:			
10:			