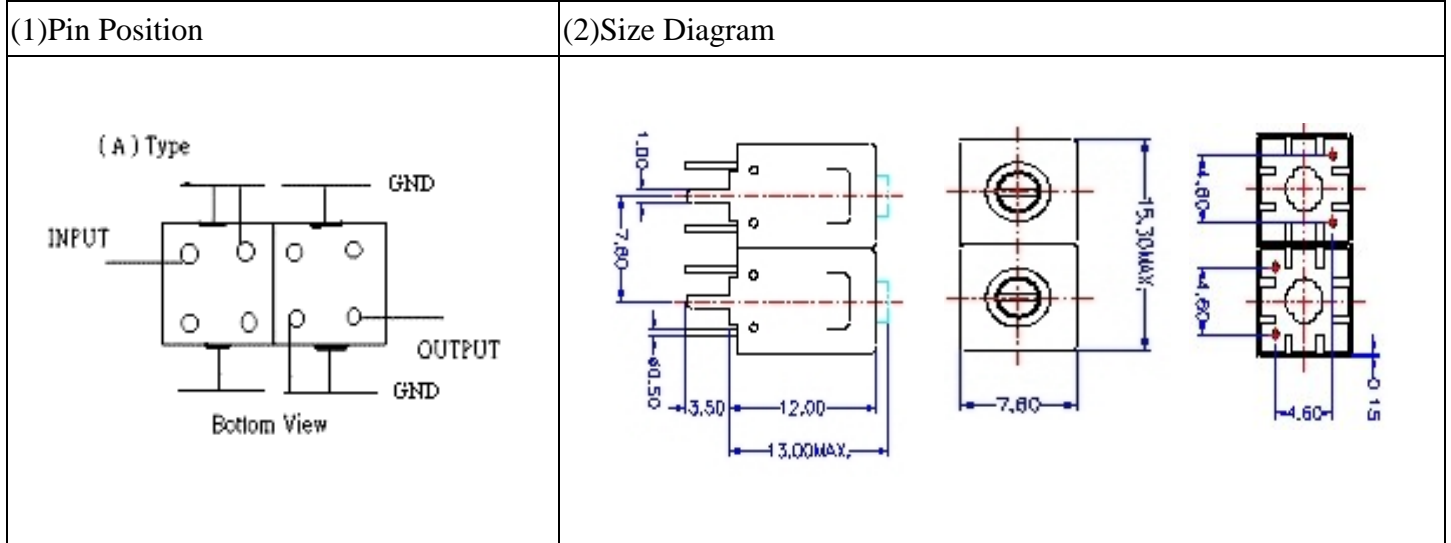


VHF UHF Helical Filter Specification Sheet

Customer Name		Temwell's Part No.	TDL67439A-842M
Approval No. /dated	20011038DB	Acceptable Specify Fo. Range	831~860MHz
Work Instruction No.	20011038DB	Date	2001.03.27



(3) Electric Character

Item	Specify	Performance
Center Freq.(Fo) +/- 0.5 %	842 MHz	842 MHz
Tunable Range	842±10 MHz	842±10 MHz
Insertion Loss	Typ. 3.0 dB	1.9 dB
-3 dB Bandwidth	Typ. 15 MHz	23 MHz
Sensitivity (Attenuation)	Fo - 26.75 MHz	Typ. 11 dBc
	Fo + 26.75 MHz	Typ. 8 dBc
	Fo - 42.75MHz	Typ. 20 dBc
	Fo +42.75MHz	Typ. 15 dBc
Return Loss	Min. 12 dB	28.1 dB
Ripple	< 1 dB	
Impedance	In / Out : 75 Ω	In / Out : 75 Ω

(4) Torque for Tuning Screw > 100gf · cm

(5) Temperature Condition:

Operating Temperature	0°C ~ +60°C
Storage Temperature	-20°C ~ +70°C

(6) Input Power > 1Watt

Approval	Supervisor	Designer	Aperture size
C.Y.Chang	C.S.Chang	C.S.Chang	7H2S(4*5.5) 7H046LB4 聚 3

TEMWELL CORPORATION

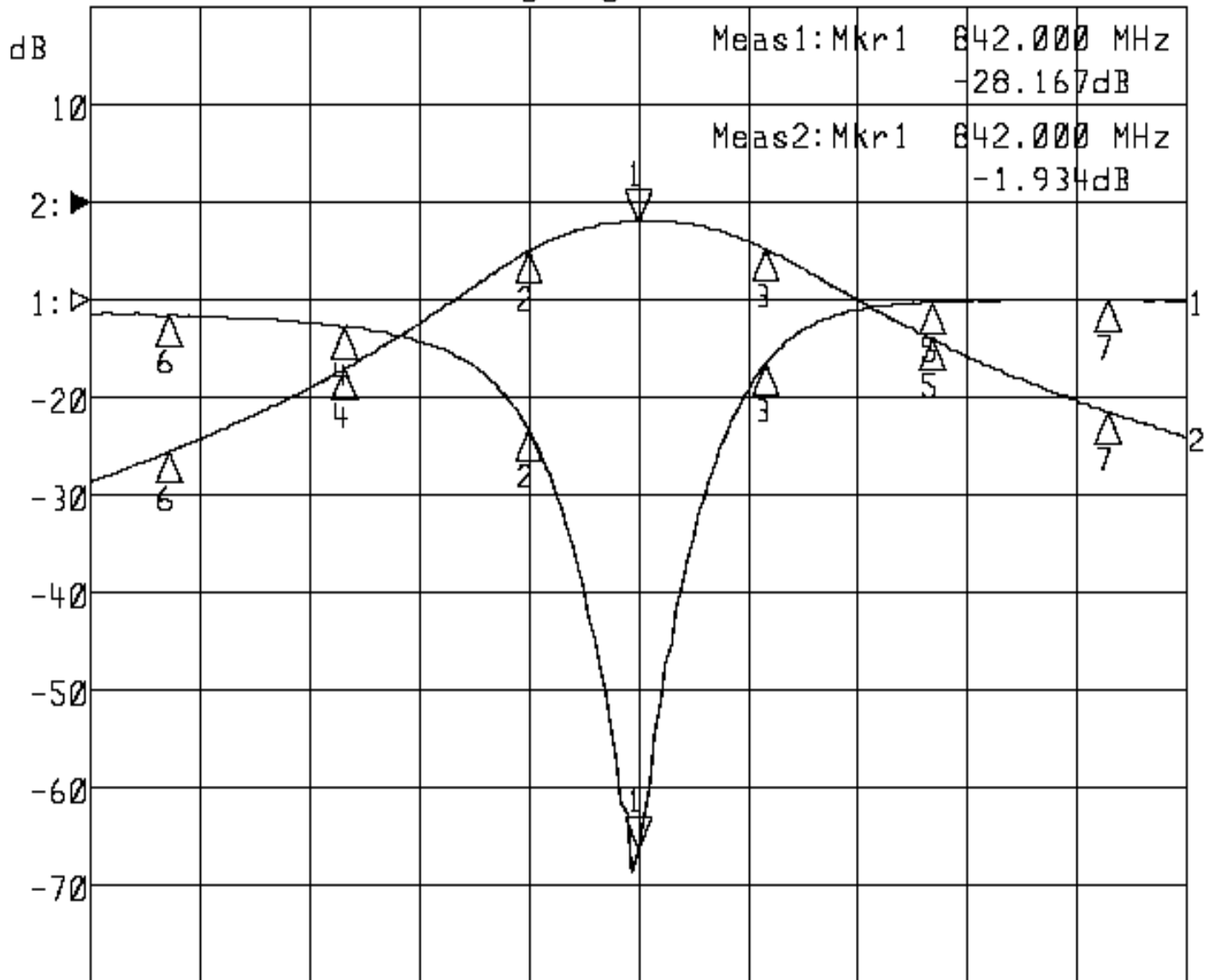
RF Filter & Duplexer Manufacturer : TDL67439A-842M rvbw 0505

Performance- TDL67439A-842M

20011038DB

▶1:S11 Refl Port1 Log Mag 5.0 dB/ Ref 0.00 dB C

▶2:S21 Fwd Trans Log Mag 10.0 dB/ Ref 0.00 dB C



Center 842.000 MHz

Span 100.000 MHz

1:Mkr (MHz)	dB	2:Mkr (MHz)	dB
1> 842.0000	-28.167	1> 842.0000	-1.934
2: 832.0333	-6.676	2: 832.0333	-4.979
3: 853.6667	-3.230	3: 853.6667	-4.810
4: 815.2500	-1.373	4: 815.2500	-17.042
5: 868.7500	-0.109	5: 868.7500	-14.025
6: 799.2500	-0.786	6: 799.2500	-25.539
7: 884.7500	-0.021	7: 884.7500	-21.427