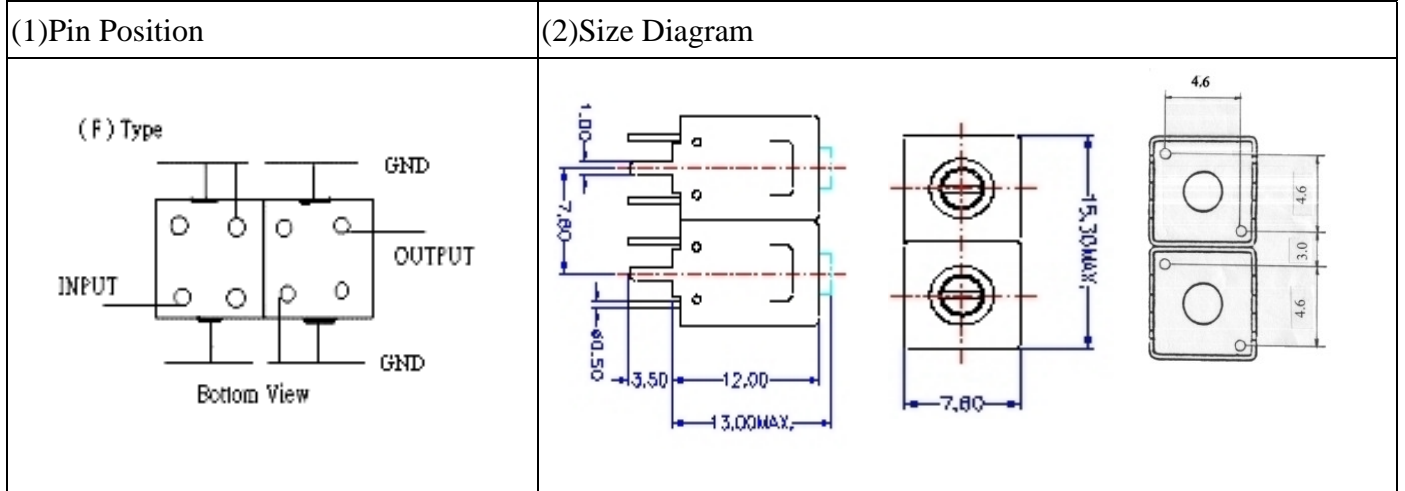


# VHF UHF Helical Filter Specification Sheet

Customer Name		Temwell's Part No.	TDL67532F-600M
Approval No. /dated	20208009DC	Acceptable Specify Fo. Range	596~640MHz
Work Instruction No.	20208009DC	Date	2002/08/13



(3) Electric Character

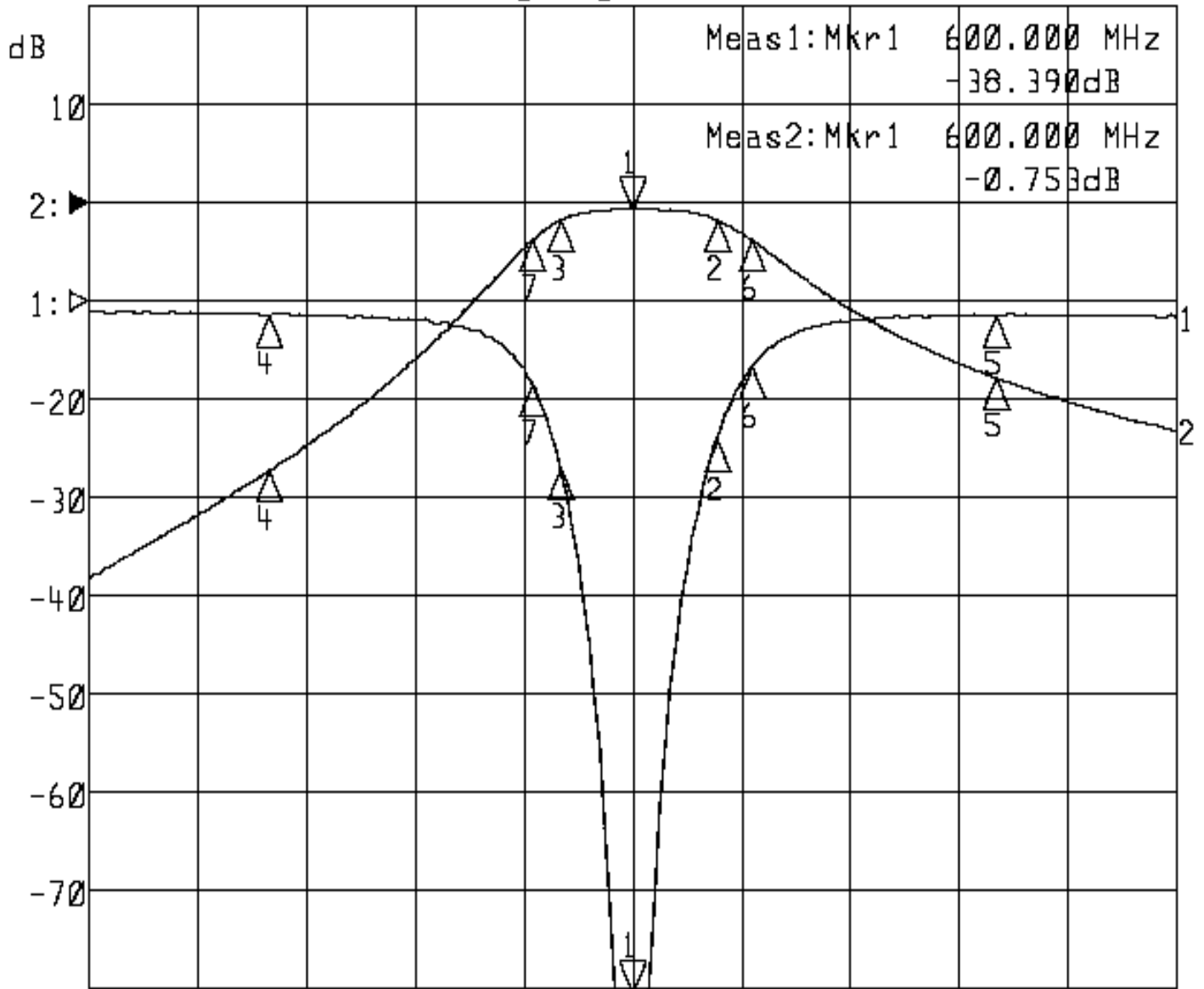
Item	Specify	Performance	
Center Freq.(Fo ) +/- 0.5 %	600 MHz	600 MHz	
Tunable Range	600±5 MHz	600±5 MHz	
Insertion Loss	Typ. 2.0 dB	0.8 dB	
-1 dB Bandwidth	Typ. 40 MHz	43 MHz	
-3 dB Bandwidth	Typ. 45 MHz	48 MHz	
Sensitivity (Attenuation)	Fo - 100 MHz	Typ. 24 dBc	
	Fo + 100 MHz	Typ. 13 dBc	
	Fo - ( )MHz	Typ. dBc	
	Fo +( )MHz	Typ. dBc	
Return Loss	Min. 12 dB	38 dB	
Ripple	< 1 dB	dB	
Impedance	In / Out : 75 Ω	In / Out : 75 Ω	
(4) Torque for Tuning Screw	> 100gf • cm		
(5) Temperature Condition:			
Operating Temperature	0°C ~ +60°C		
Storage Temperature	-20°C ~ +70°C		
(6) Input Power	> 1Watt		
Approval	Supervisor	Designer	Aperture size
C.Y.Chang	C.S.Chang	C.S.Chang	7H2S,4*6.5 7H046LB5

TEMWELL CORPORATION

# Performance- TDL67532F-600M

## 20208009DC

▽1:S11 Refl Port1    Log Mag    5.0 dB/ Ref    0.00 dB    C  
 ▼2:S12 Rev Trans    Log Mag    10.0 dB/ Ref    0.00 dB    C



Meas1: Mkr1    600.000 MHz  
                  -38.390 dB  
 Meas2: Mkr1    600.000 MHz  
                  -0.753 dB

Center 600.000 MHz

Span 300.000 MHz

1: Mkr (MHz)	dB	2: Mkr (MHz)	dB
1> 600.0000	-38.390	1> 600.0000	-0.753
2: 623.1000	-7.070	2: 623.1000	-1.755
3: 580.1333	-8.470	3: 580.1333	-1.773
4: 500.0000	-0.759	4: 500.0000	-27.293
5: 700.0000	-0.774	5: 700.0000	-17.801
6: 632.7000	-3.384	6: 632.7000	-3.760
7: 572.6000	-4.260	7: 572.6000	-3.733