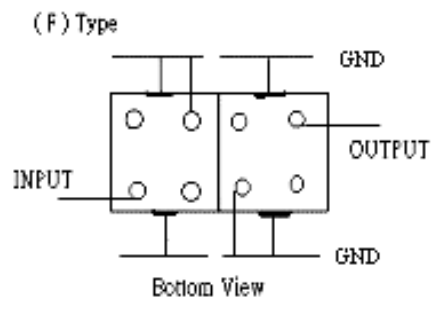
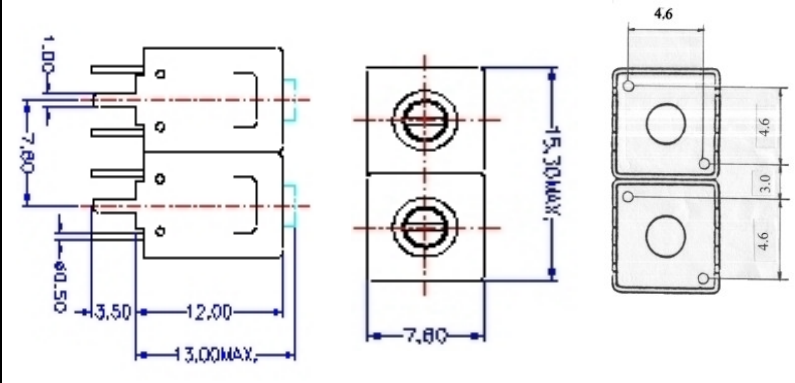


VHF UHF Helical Filter Specification Sheet

Customer Name		Temwell's Part No.	TDL67533F-635M
Approval No. /dated	20208010DC	Acceptable Specify Fo. Range	596~640MHz
Work Instruction No.	20208010DC	Date	2002/08/16

(1)Pin Position	(2)Size Diagram
 <p>(F) Type Bottom View</p>	

(3)Electric Character

Item	Specify	Performance	
Center Freq.(Fo) +/- 0.5 %	635 MHz	635 MHz	
Tunable Range	635±5 MHz	635±5 MHz	
Insertion Loss	Typ. 1.5 dB	0.7 dB	
-3 dB Bandwidth	Typ. 42 MHz	45 MHz	
Sensitivity (Attenuation)	Fo - 100 MHz	Typ. 23 dBc	26 dBc
	Fo + 100 MHz	Typ. 13 dBc	16 dBc
	Fo - ()MHz	Typ. dBc	dBc
	Fo +()MHz	Typ. dBc	dBc
Return Loss	Min. 12 dB	47.7 dB	
Ripple	< 1 dB	dB	
Impedance	In / Out : 75 Ω	In / Out : 75 Ω	
(4)Torque for Tuning Screw	> 100gf · cm		

(5)Temperature Condition:

Operating Temperature	0°C ~ +60°C
Storage Temperature	-20°C ~ +70°C

(6)Input Power

	> 1Watt
--	---------

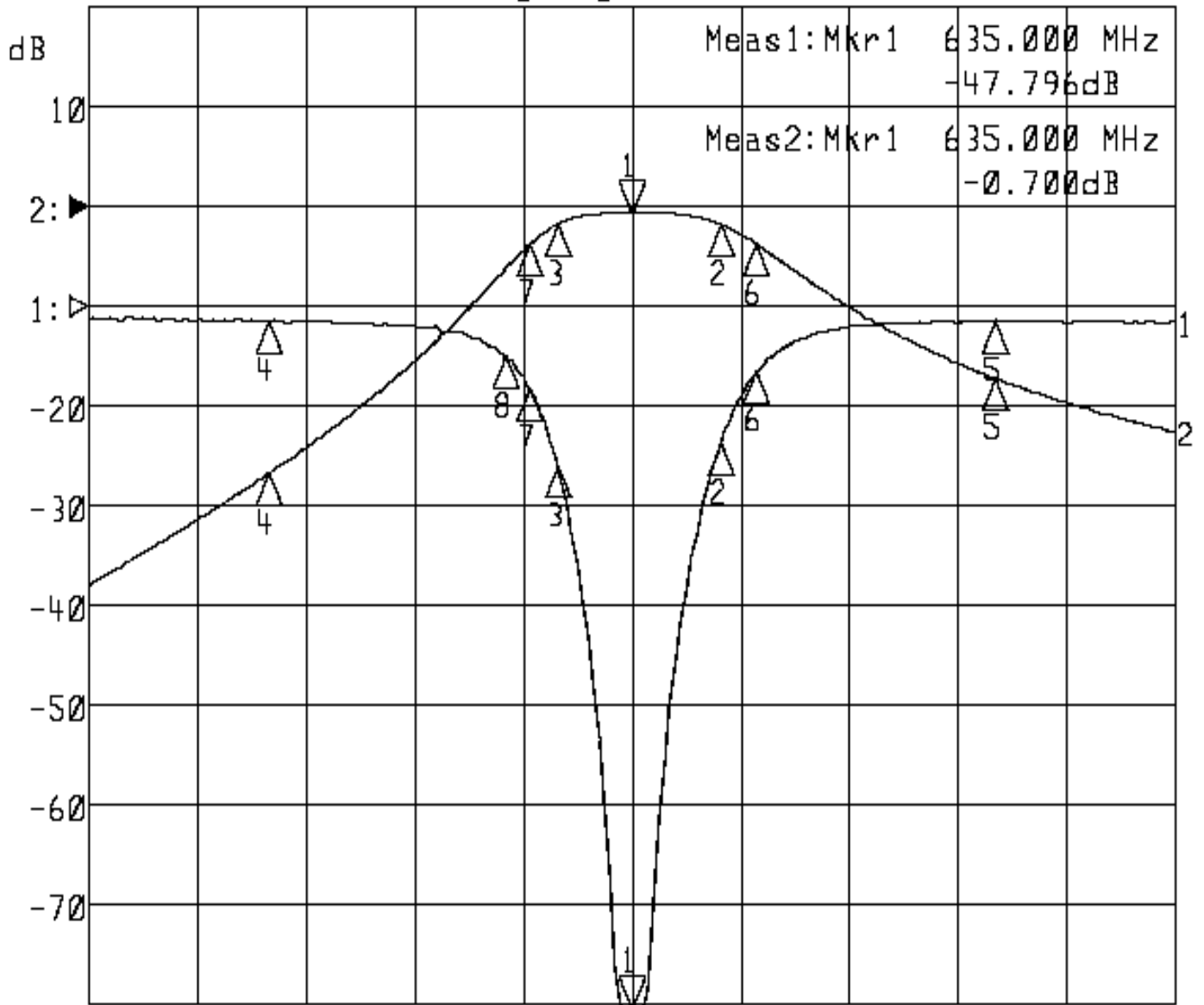
Approval	Supervisor	Designer	Aperture size
C.Y.Chang	C.S.Chang	C.S.Chang	7H2S,4*7.5 7H046LB5

TEMWELL CORPORATION

Performance- TDL67533F-635M

20208010DC

▶1:S11 Refl Port1 Log Mag 5.0 dB/ Ref 0.00 dB C
 ▶2:S12 Rev Trans Log Mag 10.0 dB/ Ref 0.00 dB C



Center 635.000 MHz

Span 300.000 MHz

1:Mkr (MHz)	dB	2:Mkr (MHz)	dB
1> 635.0000	-47.796	1> 635.0000	-0.700
2: 659.4000	-6.889	2: 659.4000	-1.722
3: 614.5333	-7.993	3: 614.5333	-1.757
4: 535.0000	-0.756	4: 535.0000	-26.731
5: 735.0000	-0.709	5: 735.0000	-17.201
6: 669.3000	-3.312	6: 669.3000	-3.729
7: 606.8000	-4.108	7: 606.8000	-3.780
8: 600.0000	-2.543		