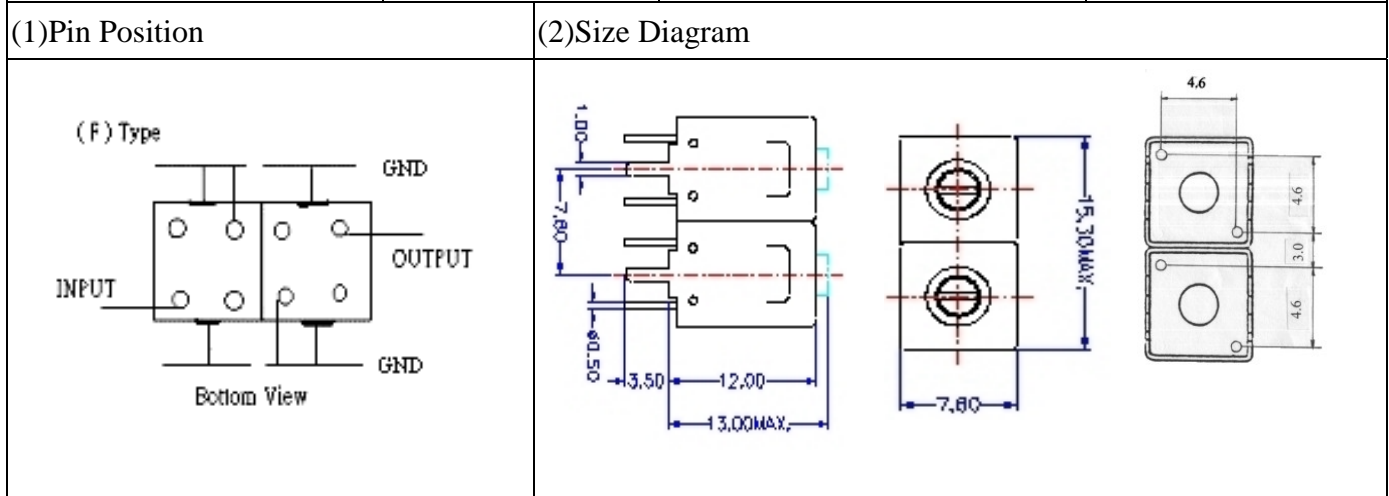


# VHF UHF Helical Filter Specification Sheet

Customer Name		Temwell's Part No.	TDL67534F-670M
Approval No. /dated	20208011DC	Acceptable Specify Fo. Range	661~700MHz
Work Instruction No.	20208011DC	Date	2002/08/19



(3) Electric Character

Item	Specify	Performance	
Center Freq.(Fo ) +/- 0.5 %	670 MHz	670 MHz	
Tunable Range	670±5 MHz	670±5 MHz	
Insertion Loss	Typ. 1.5 dB	0.6 dB	
-1 dB Bandwidth	Typ. 46 MHz	49 MHz	
-3 dB Bandwidth	Typ. 51 MHz	54 MHz	
Sensitivity (Attenuation )	Fo - 150 MHz	Typ. 30 dBc	33 dBc
	Fo + 150 MHz	Typ. 16 dBc	19 dBc
	Fo - ( )MHz	Typ. dBc	dBc
	Fo +( )MHz	Typ. dBc	dBc
Return Loss	Min. 12 dB	19.2 dB	
Ripple	< 1 dB	dB	
Impedance	In / Out : 75 Ω	In / Out : 75 Ω	
(4) Torque for Tuning Screw	> 100gf • cm		

(5) Temperature Condition:

Operating Temperature	0°C ~ +60°C
Storage Temperature	-20°C ~ +70°C

(6) Input Power

	> 1Watt
--	---------

Approval	Supervisor	Designer	Aperture size
C.Y.Chang	C.S.Chang	C.S.Chang	7H2S,4*7.5 7H046LB5

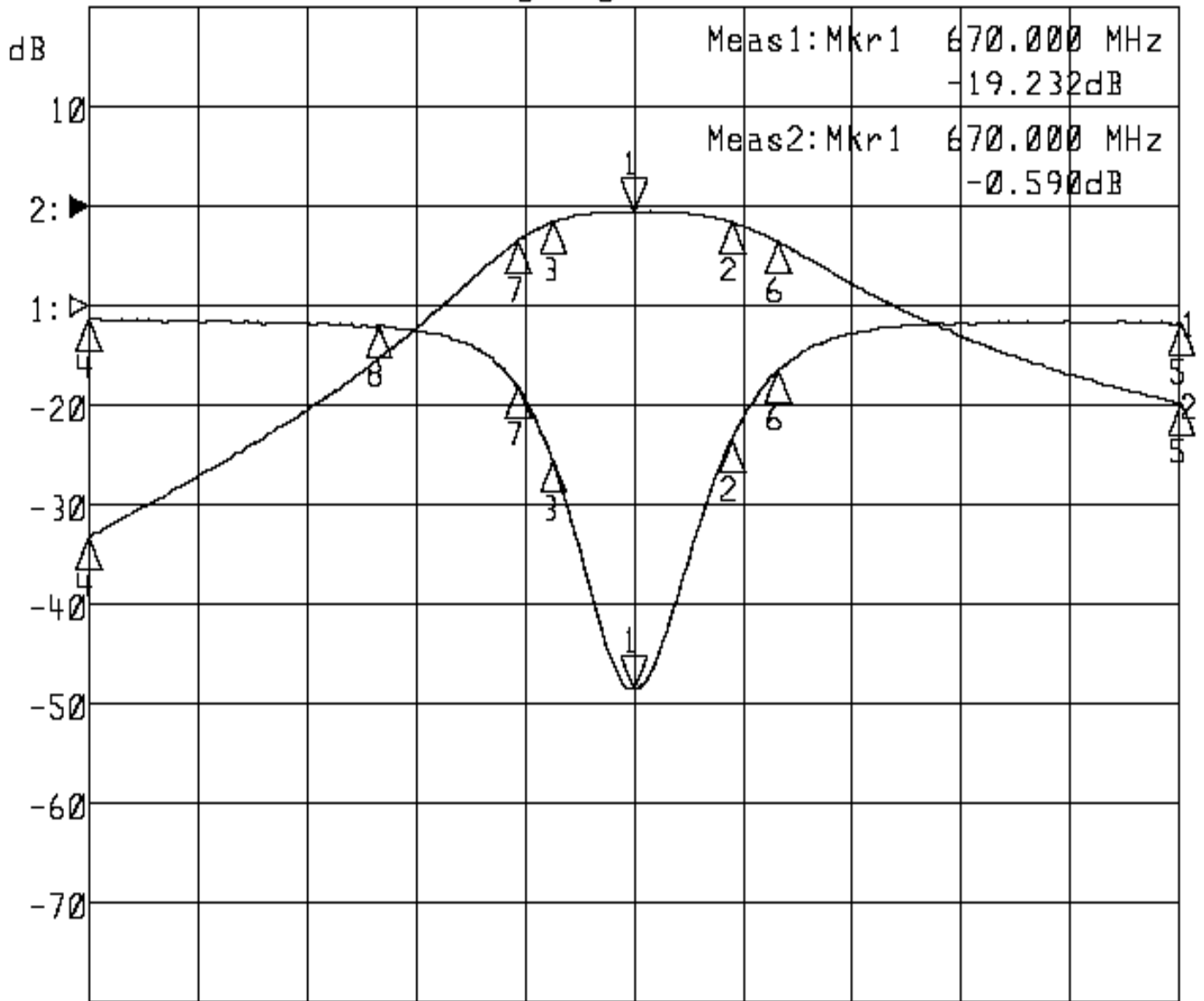
TEMWELL CORPORATION

# Performance- TDL67534F-670M

## 20208011DC

▷1:S11 Refl Port1 Log Mag 5.0 dB/ Ref 0.00 dB C

▶2:S12 Rev Trans Log Mag 10.0 dB/ Ref 0.00 dB C



Center 670.000 MHz

Span 300.000 MHz

1: Mkr (MHz)	dB	2: Mkr (MHz)	dB
1> 670.0000	-19.232	1> 670.0000	-0.590
2: 696.8000	-6.737	2: 696.8000	-1.543
3: 647.7333	-7.732	3: 647.7333	-1.545
4: 520.0000	-0.634	4: 520.0000	-33.259
5: 820.0000	-0.850	5: 820.0000	-19.778
6: 709.7000	-3.234	6: 709.7000	-3.571
7: 637.9667	-4.022	7: 637.9667	-3.524
8: 600.0000	-1.038		