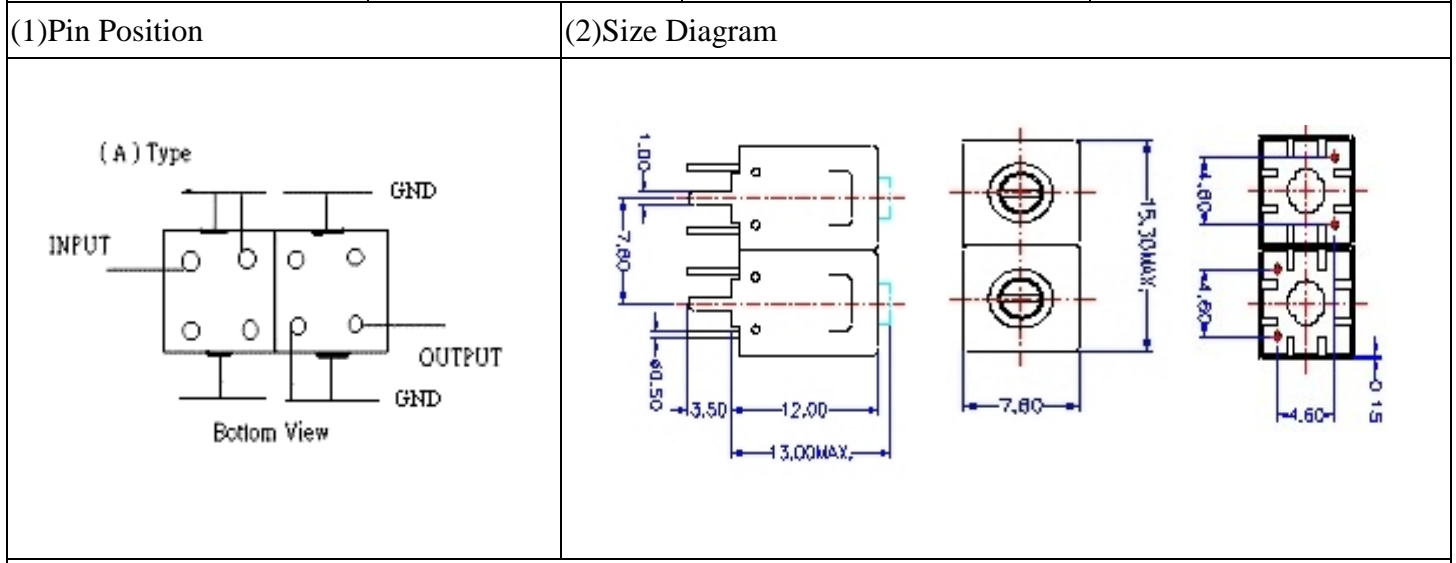


# VHF UHF Helical Filter Specification Sheet

Customer Name		Temwell's Part No.	TDL67536A-740M
Approval No. /dated	20208013DC	Acceptable Specify Fo. Range	701~750MHz
Work Instruction No.	20208013DC	Date	2002/8/19



(3) Electric Character				
Item	Specify		Performance	
Center Freq.(Fo ) +/- 0.5 %	740	MHz	740 MHz	
Tunable Range	740±10	MHz	740±10 MHz	
Insertion Loss	Typ. 2.0	dB	0.8 dB	
-1 dB Bandwidth	Typ. 38	MHz	42 MHz	
-3 dB Bandwidth	Typ. 43	MHz	45 MHz	
Sensitivity (Attenuation)	Fo - 100 MHz	Typ. 21	dBc	24 dBc
	Fo + 100 MHz	Typ. 14	dBc	17 dBc
	Fo - ( )MHz	Typ.	dBc	dBc
	Fo +( )MHz	Typ.	dBc	dBc
Return Loss	Min. 12	dB	21.6 dB	
Ripple	< 1	dB	dB	
Impedance	In / Out : 75 Ω		In / Out : 75 Ω	

(4) Torque for Tuning Screw > 100gf • cm

(5) Temperature Condition:	
Operating Temperature	0°C ~ +60°C
Storage Temperature	-20°C ~ +70°C

(6) Input Power > 1Watt

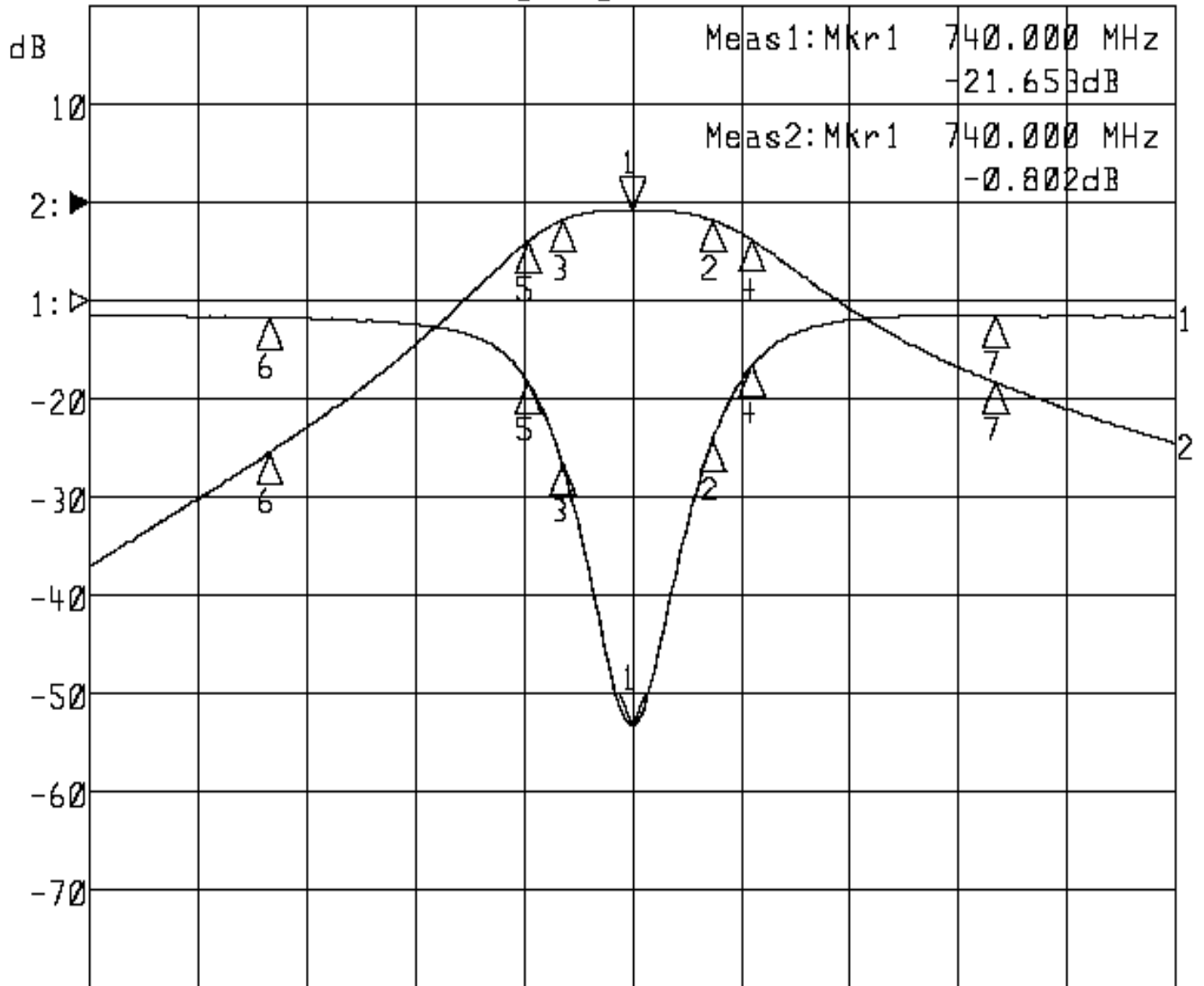
Approval	Supervisor	Designer	Aperture size
C.Y.Chang	C.S.Chang	C.S.Chang	7H2 (4*7.5) 7H046LB5

TEMWELL CORPORATION

# Performance- TDL67536A-740M

## 20208013DC

▶1:S11 Refl Port1    Log Mag    5.0 dB/ Ref    0.00 dB    C  
 ▶2:S21 Fwd Trans    Log Mag    10.0 dB/ Ref    0.00 dB    C



Center 740.000 MHz

Span 300.000 MHz

1: Mkr (MHz)	dB	2: Mkr (MHz)	dB
1> 740.0000	-21.653	1> 740.0000	-0.802
2: 762.2000	-7.114	2: 762.2000	-1.747
3: 720.6000	-8.201	3: 720.6000	-1.797
4: 773.1000	-3.292	4: 773.1000	-3.819
5: 711.3000	-4.141	5: 711.3000	-3.896
6: 640.0000	-0.880	6: 640.0000	-25.449
7: 840.0000	-0.768	7: 840.0000	-18.289