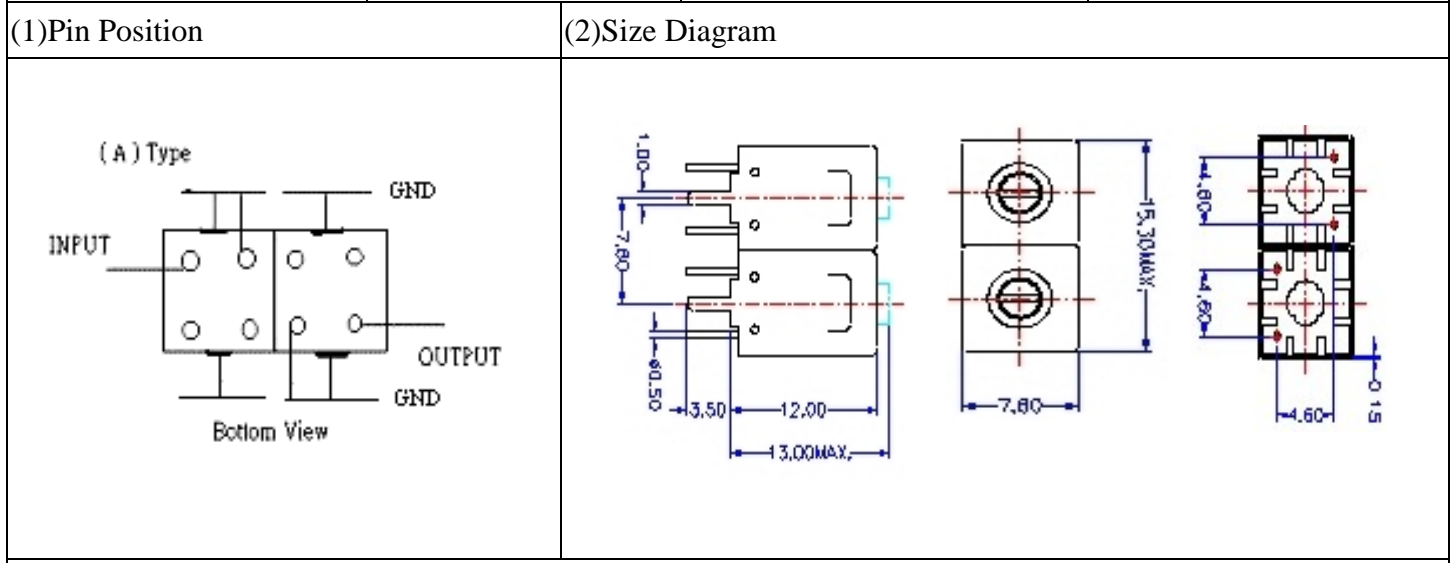


VHF UHF Helical Filter Specification Sheet

Customer Name		Temwell's Part No.	TDL67539A-845M
Approval No. /dated	20208016DC	Acceptable Specify Fo. Range	831~860MHz
Work Instruction No.	20208016DC	Date	2002/8/12



(3) Electric Character			
Item	Specify		Performance
Center Freq.(Fo) +/- 0.5 %	845	MHz	845 MHz
Tunable Range	845±10	MHz	845±10 MHz
Insertion Loss	Typ. 2.0	dB	1.0 dB
-1 dB Bandwidth	Typ. 43	MHz	46 MHz
-3 dB Bandwidth	Typ. 48	MHz	51 MHz
Sensitivity (Attenuation)	Fo - 100 MHz	Typ. 23 dBc	26 dBc
	Fo + 100 MHz	Typ. 16 dBc	19 dBc
	Fo - ()MHz	Typ. dBc	dBc
	Fo +()MHz	Typ. dBc	dBc
Return Loss	Min. 12	dB	12.1 dB
Ripple	< 1	dB	dB
Impedance	In / Out : 75 Ω		In / Out : 75 Ω

(4) Torque for Tuning Screw > 100gf • cm

(5) Temperature Condition:	
Operating Temperature	0°C ~ +60°C
Storage Temperature	-20°C ~ +70°C

(6) Input Power > 1Watt

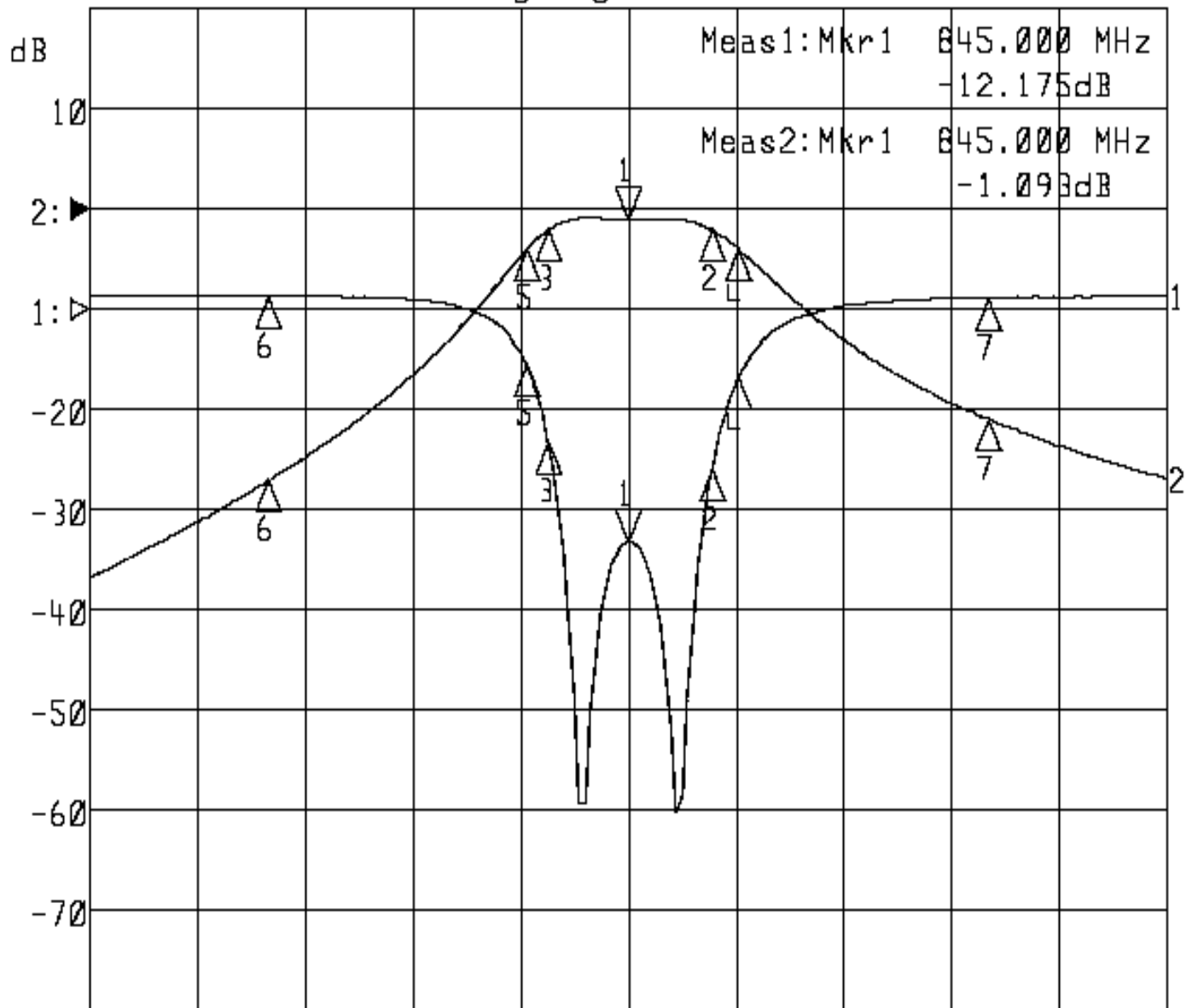
Approval	Supervisor	Designer	Aperture size
C. Y.Chang	C.S.Chang	C.S.Chang	7H2S(4*7.5) 7H046LB5

TEMWELL CORPORATION

Performance- TDL67539A-845M

20208016DC

▶1:S11 Refl Port1 Log Mag 5.0 dB/ Ref -0.55 dB C
 ▶2:S12 Rev Trans Log Mag 10.0 dB/ Ref 0.00 dB C



Center 845.000 MHz

Span 300.000 MHz

1:Mkr (MHz)	dB	2:Mkr (MHz)	dB
1> 845.0000	-12.175	1> 845.0000	-1.093
2: 868.3000	-8.593	2: 868.3000	-2.077
3: 822.8000	-7.181	3: 822.8000	-2.063
4: 875.8000	-3.938	4: 875.8000	-4.019
5: 816.6000	-3.250	5: 816.6000	-4.121
6: 745.0000	0.089	6: 745.0000	-27.095
7: 945.0000	-0.016	7: 945.0000	-20.921