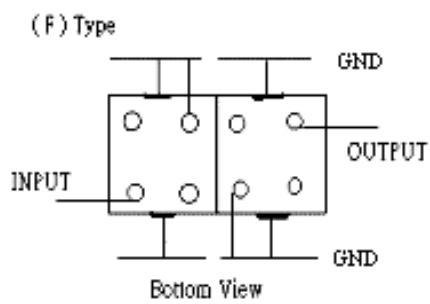
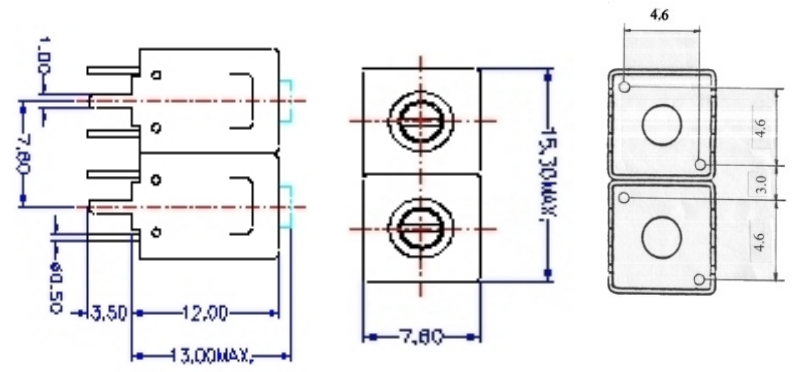


# VHF UHF Helical Filter Specification Sheet

Customer Name		Temwell's Part No.	TDL67634F-920M
Approval No. /dated	20404083DC	Acceptable Specify Fo. Range	901~930MHz
Work Instruction No.	20404083DC	Date	May.03.2004

(1)Pin Position	(2)Size Diagram
 <p>(F) Type Bottom View</p>	

### (3)Electric Character

Item	Specify	Performance	
Center Freq.(Fo ) +/- 0.5 %	920 MHz	920 MHz	
Tunable Range	920±10 MHz	920±10 MHz	
Insertion Loss	Typ. 2.0 dB	1.1 dB	
-3 dB Bandwidth	Typ. 88 MHz	93 MHz	
Sensitivity (Attenuation)	Fo - 150 MHz	Typ. 21 dBc	24 dBc
	Fo + 150 MHz	Typ. 11 dBc	14 dBc
	Fo - ( )MHz	Typ. dBc	dBc
	Fo +( )MHz	Typ. dBc	dBc
Return Loss	Min. 12 dB	21.7 dB	
Ripple	< 1 dB	dB	
Impedance	In / Out : 75 Ω	In / Out : 75 Ω	

(4)Torque for Tuning Screw	> 100gf • cm
----------------------------	--------------

### (5)Temperature Condition:

Operating Temperature	0°C ~ +60°C
Storage Temperature	-20°C ~ +70°C

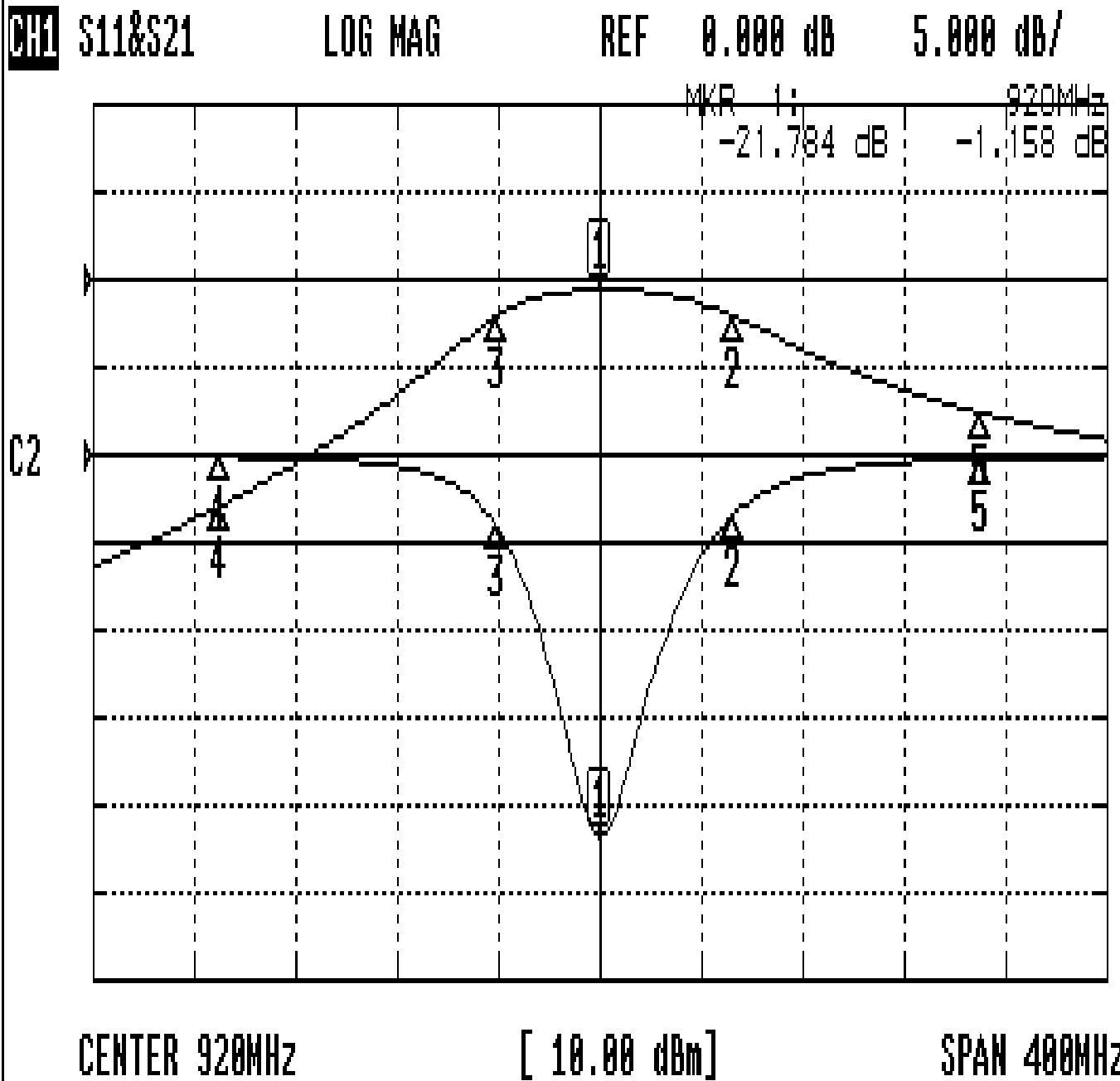
(6)Input Power	> 1Watt
----------------	---------

Approval	Supervisor	Designer	Aperture size
C.Y.Chang	C.S.Chang	C.S.Chang	7H2(4*7.5)(7.45) 7H046LB5.5

TEMWELL CORPORATION

# Performance- TDL67634F-920M

## 20404083DC



### CH1 MARKER LIST

1:	920.000MHz	-21.784 dB	-1.158 dB
2:	972.333MHz	-3.476 dB	-4.147 dB
3:	879.333MHz	-4.074 dB	-4.191 dB
4:	770.000MHz	-0.114 dB	-25.840 dB
5:	1.070 000GHz	-0.242 dB	-15.195 dB