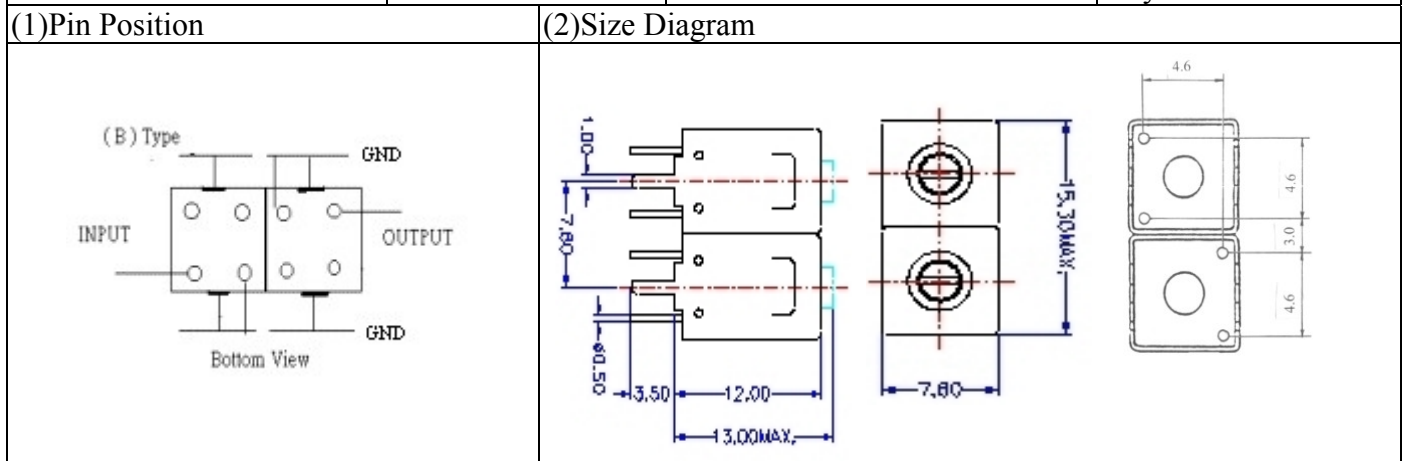


VHF UHF Helical Filter Specification Sheet

Customer Name		Temwell's Part No.	TDL6838B-287.25M
Approval No. /dated	20505014B	Acceptable Specify Fo. Range	276~310MHz
Work Instruction No.	20505014B	Date	May.11.2005



(3) Electric Characteristic

Item	Specify	Performance	
Center Freq.(Fo) +/- 0.5 %	287.25 MHz	287.25 MHz	
Tunable Range	287.25±4 MHz	287.25±4 MHz	
Insertion Loss	Typ. 4.0 dB	3.0 dB	
-1 dB Bandwidth	Typ. 4 MHz	6 MHz	
-3 dB Bandwidth	Typ. 9 MHz	11 MHz	
Sensitivity (Attenuation)	Fo - 20 MHz	Typ. 24 dBc	27 dBc
	Fo + 20 MHz	Typ. 19 dBc	22 dBc
	Fo - ()MHz	Typ. dBc	dBc
	Fo +()MHz	Typ. dBc	dBc
Return Loss	Min. 12 dB	16.1 dB	
Ripple	< 1 dB	dB	
Impedance	In / Out : 75 Ω	In / Out : 75 Ω	

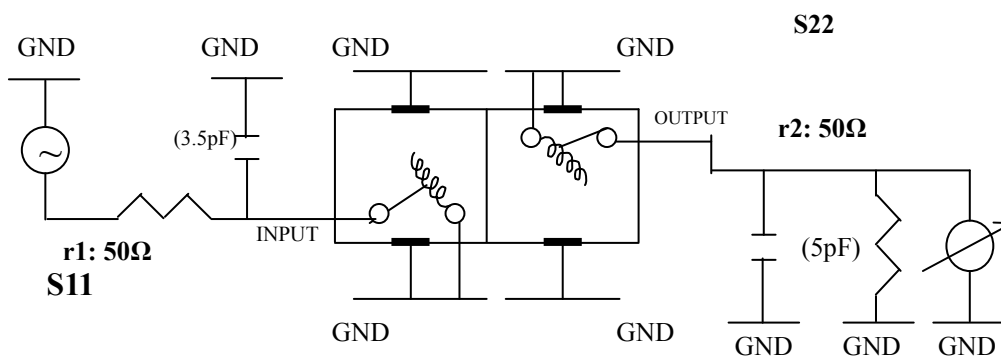
(4) Torque for Tuning Screw > 100gf · cm

(5) Temperature Condition:

Operating Temperature	0°C ~ +60°C
Storage Temperature	-20°C ~ +70°C

(6) Input Power > 1Watt

(7) Measuring Circuit: ※Easy to match Impedance /75Ω by parallel with about (0~5) pF.



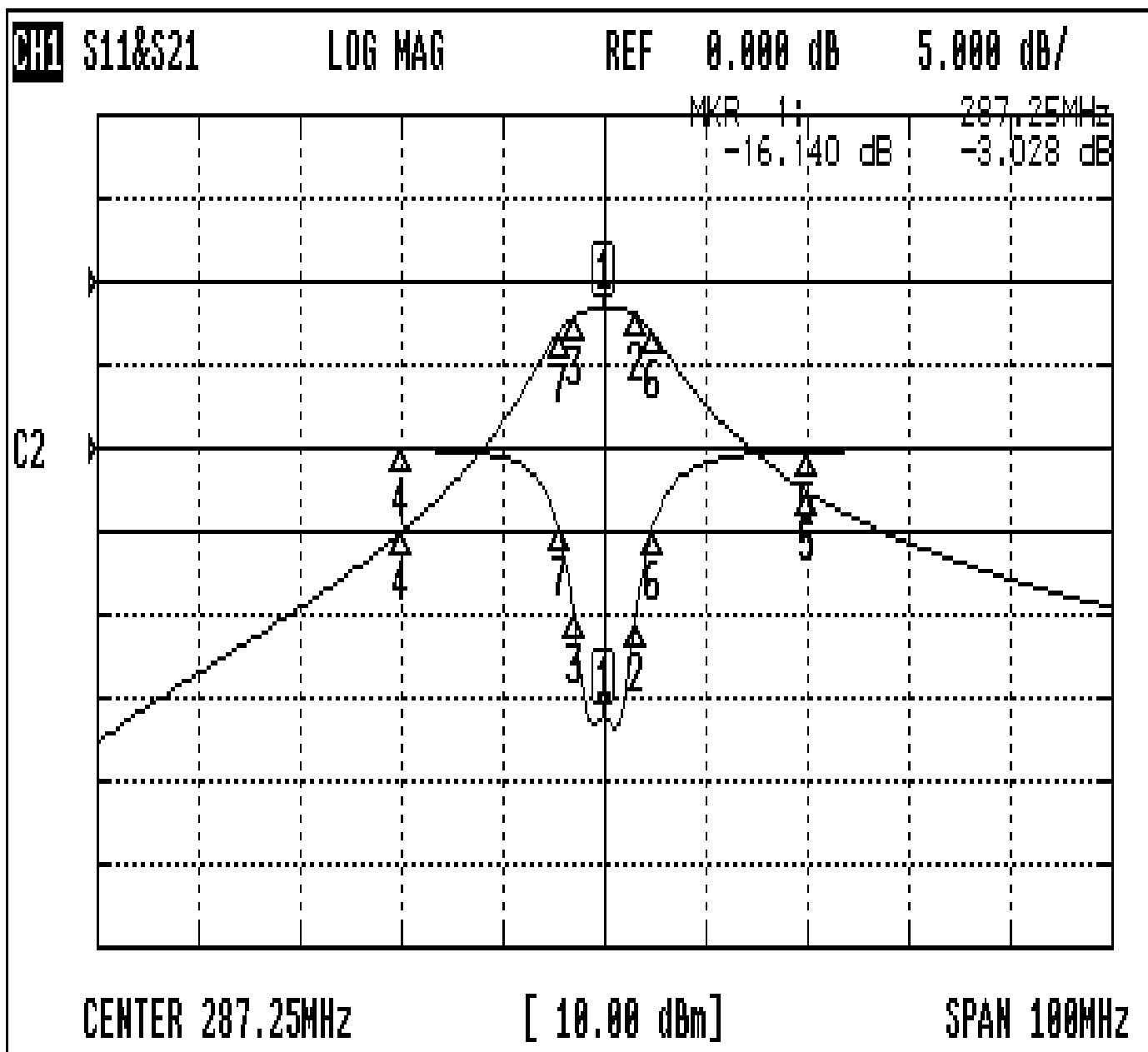
(Bottom View)

Approval	Supervisor	Designer	Aperture size
C. Y. Chang	C.S.Chang	P.H.Chiang	7H2(4*4.65)(4.69) 7H024RB4

TEMWELL CORPORATION

Performance-TDL6838B-287.25M

20505014DB



CH1 MARKER LIST

1:	287.250MHz	-16.140 dB	-3.028 dB
2:	290.333MHz	-10.362 dB	-4.027 dB
3:	284.333MHz	-10.229 dB	-4.059 dB
4:	267.250MHz	-0.086 dB	-30.053 dB
5:	307.250MHz	-0.184 dB	-25.184 dB
6:	292.000MHz	-4.934 dB	-6.117 dB
7:	282.833MHz	-4.869 dB	-6.039 dB