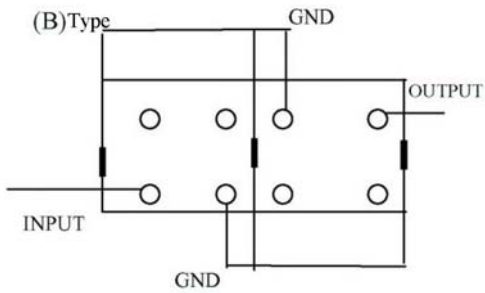
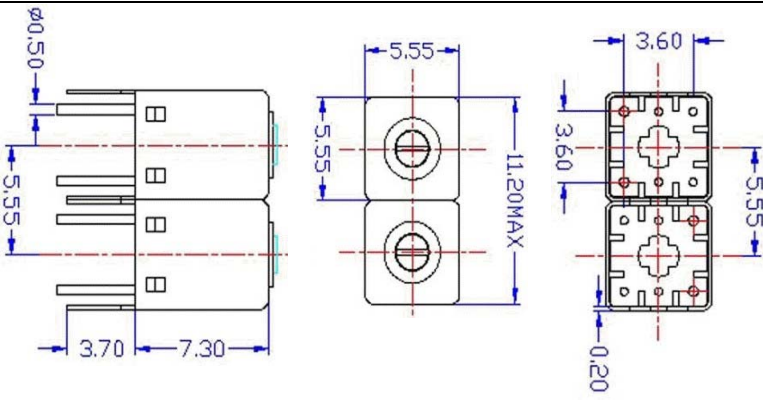


VHF UHF Helical Filter Specification Sheet

Customer Name		Temwell's Part No.	TDR2552B-915M
Approval No. /dated	20404007DC	Acceptable Specify Fo. Range	900~950MHz
Work Instruction No.	20404007DC	Date	Apr.05.2004

<p>(1)Pin Position</p> 	<p>(2)Size Diagram</p> 
--	---

(3)Electric Character

Item	Specify	Performance	
Center Freq.(Fo) +/- 0.5 %	915 MHz	915 MHz	
Tunable Range:	915±15 MHz	915±15 MHz	
Insertion Loss	Typ. 3.5 dB	2.7 dB	
-3 dB Bandwidth	Typ. 20 MHz	29.4 MHz	
Sensitivity (Attenuation)	Fo - 50 MHz	Typ. 19 dBc	22 dBc
	Fo + 50 MHz	Typ. 16 dBc	19 dBc
	Fo - ()MHz	Typ. dBc	dBc
	Fo +()MHz	Typ. dBc	dBc
Return Loss	Min. 12 dB	16 dB	
Ripple	< 1 dB	dB	
Impedance	In / Out : 50 Ω	In / Out : 50 Ω	

(4)Torque for Tuning Screw	> 60gf • cm
----------------------------	-------------

(5)Temperature Condition:

Operating Temperature	-30°C ~ +70°C
Storage Temperature	-30°C ~ +80°C

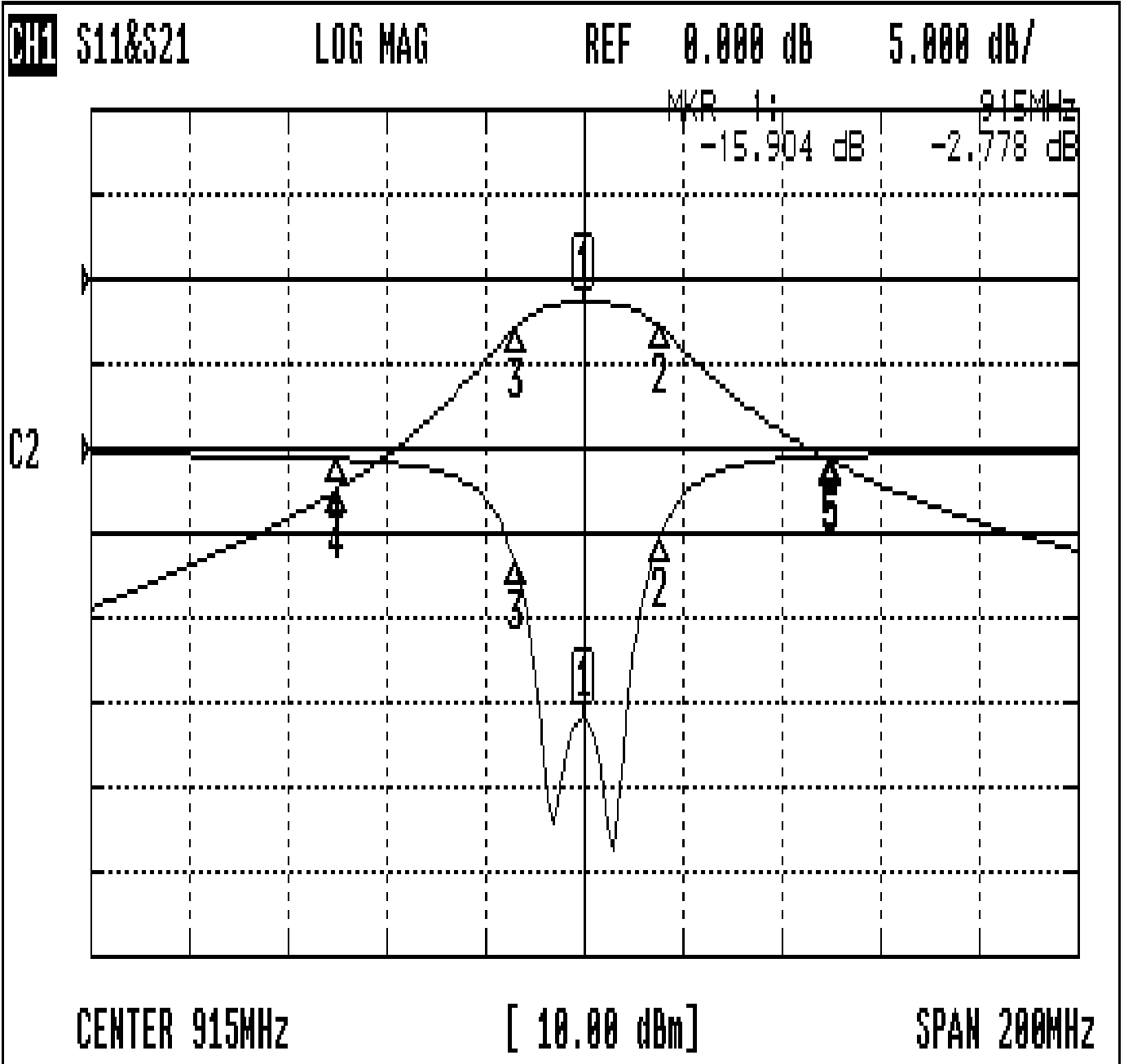
(6)Input Power	> 0.5Watt
----------------	-----------

Approval	Supervisor	Designer	Aperture size
C.Y.Chang	C.S.Chang	P.H.Ching	5R2S(3.8*4.2)(4.12)

TEMWELL CORPORATION

Performance-TDR2552B-915M

20404007DC



CH1 MARKER LIST

1:	915.000MHz	-15.904 dB	-2.778 dB
2:	930.500MHz	-5.138 dB	-5.761 dB
3:	901.166MHz	-6.763 dB	-5.731 dB
4:	865.000MHz	-0.611 dB	-24.835 dB
5:	965.000MHz	-0.451 dB	-21.446 dB
6:			