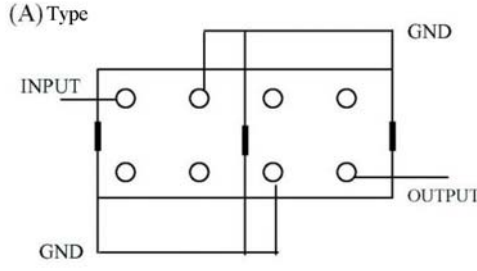
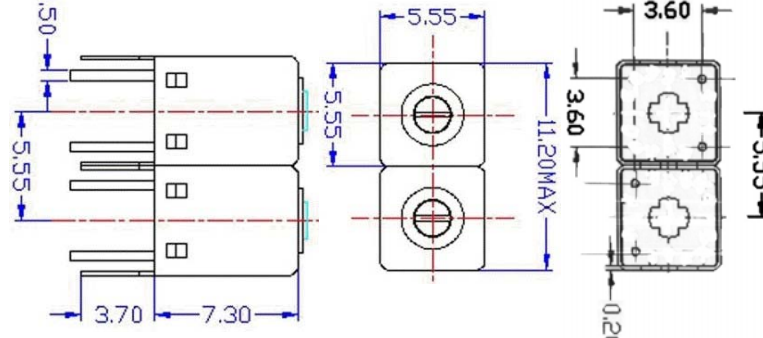


# VHF UHF Helical Filter Specification Sheet

Customer Name		Temwell's Part No.	TDR2627A-380M
Approval No. /dated	20305054DC	Acceptable Specify Fo. Range	350~400MHz
Work Instruction No.	20305054DC	Date	May.30.2003

<p>(1)Pin Position</p>  <p style="text-align: center;">(Bottom View)</p>	<p>(2)Size Diagram</p> 
---	---

(3)Electric Character

Item	Specify	Performance	
Center Freq.(Fo ) +/- 0.5 %	380 MHz	380 MHz	
Tunable Range:	380±8 MHz	380±8 MHz	
Insertion Loss	Typ. 3.0 dB	2.0 dB	
-3 dB Bandwidth	Typ. 19 MHz	23.0 MHz	
Sensitivity (Attenuation )	Fo - 50 MHz	Typ. 21 dBc	24 dBc
	Fo + 50 MHz	Typ. 22 dBc	25 dBc
	Fo - ( )MHz	Typ. dBc	dBc
	Fo +( )MHz	Typ. dBc	dBc
Return Loss	Min. 12 dB	38 dB	
Ripple	< 1 dB	dB	
Impedance	In / Out : 50 Ω	In / Out : 50 Ω	

(4)Torque for Tuning Screw > 60gf • cm

(5)Temperature Condition:

Operating Temperature	-30°C ~ +70°C
Storage Temperature	-30°C ~ +80°C

(6)Input Power > 0.5Watt

Approval	Supervisor	Designer	Aperture size
C.Y.Chang	C.S.Chang	C.S.Chang	5R2S(3.8*4.7)

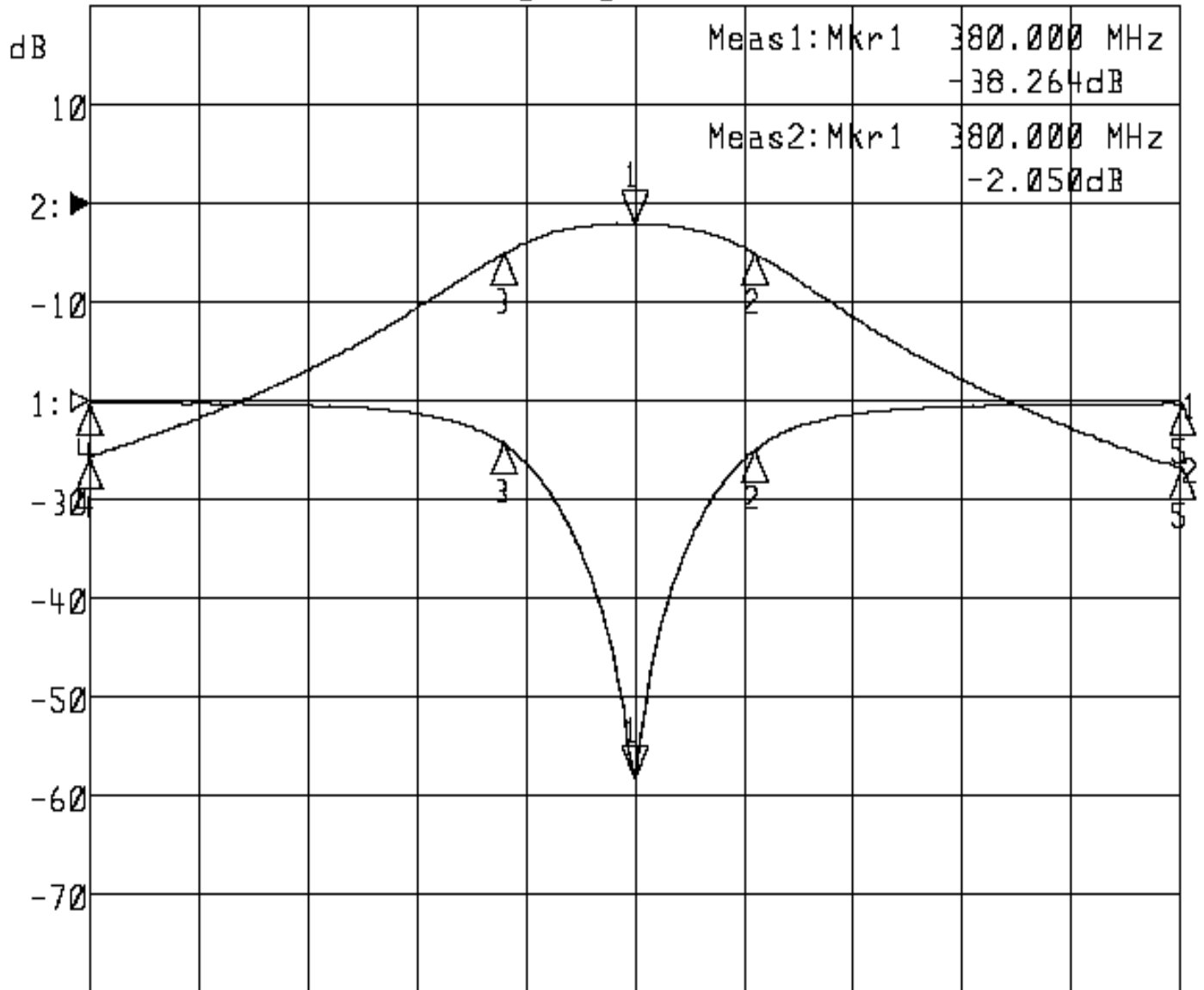
TEMWELL CORPORATION

# Performance-TDR2627A-380M

## 20305054DC

▶1:S11 Refl Port1 Log Mag 10.0 dB/ Ref 0.00 dB C

▶2:S21 Fwd Trans Log Mag 10.0 dB/ Ref 0.00 dB C



Center 380.000 MHz

Span 100.000 MHz

1: Mkr (MHz)	dB	2: Mkr (MHz)	dB
1> 380.0000	-38.264	1> 380.0000	-2.050
2: 391.0333	-4.988	2: 391.0333	-5.070
3: 368.0333	-4.374	3: 368.0333	-5.052
4: 330.0000	-0.231	4: 330.0000	-25.656
5: 430.0000	-0.362	5: 430.0000	-26.859