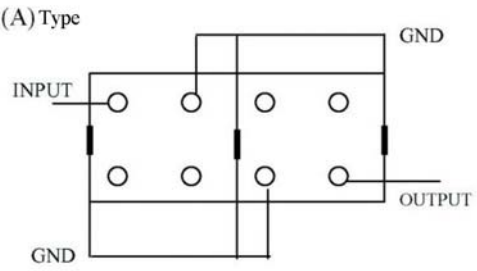
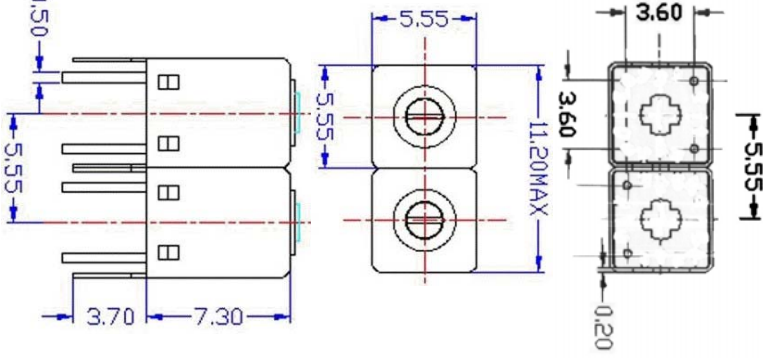


# VHF UHF Helical Filter Specification Sheet

Customer Name		Temwell's Part No.	TDR2629A-360M
Approval No. /dated	20204043DC	Acceptable Specify Fo. Range	350~400MHz
Work Instruction No.	20204043DC	Date	May.16.2002

<p>(1) Pin Position</p>  <p style="text-align: center;">(Bottom View)</p>	<p>(2) Size Diagram</p> 
--	--

(3) Electric Character

Item	Specify	Performance	
Center Freq.(Fo ) +/- 0.5 %	360 MHz	360 MHz	
Tunable Range:	360±8 MHz	360±8 MHz	
Insertion Loss	Typ. 4.5 dB	3.5 dB	
-3 dB Bandwidth	Typ. 13 MHz	16.4 MHz	
Sensitivity (Attenuation)	Fo - 50 MHz	Typ. 24 dBc	27 dBc
	Fo + 50 MHz	Typ. 28 dBc	31 dBc
	Fo - ( )MHz	Typ. dBc	dBc
	Fo +( )MHz	Typ. dBc	dBc
Return Loss	Min. 12 dB	20 dB	
Ripple	< 1 dB	dB	
Impedance	In / Out : 50 Ω	In / Out : 50 Ω	

(4) Torque for Tuning Screw	> 60gf • cm
-----------------------------	-------------

(5) Temperature Condition:

Operating Temperature	-30°C ~ +70°C
Storage Temperature	-30°C ~ +80°C
(6) Input Power	> 0.5Watt

Approval	Supervisor	Designer	Aperture size
C.Y.Chang	C.S.Chang	C.S.Chang	5R2S(3.8*3.7)

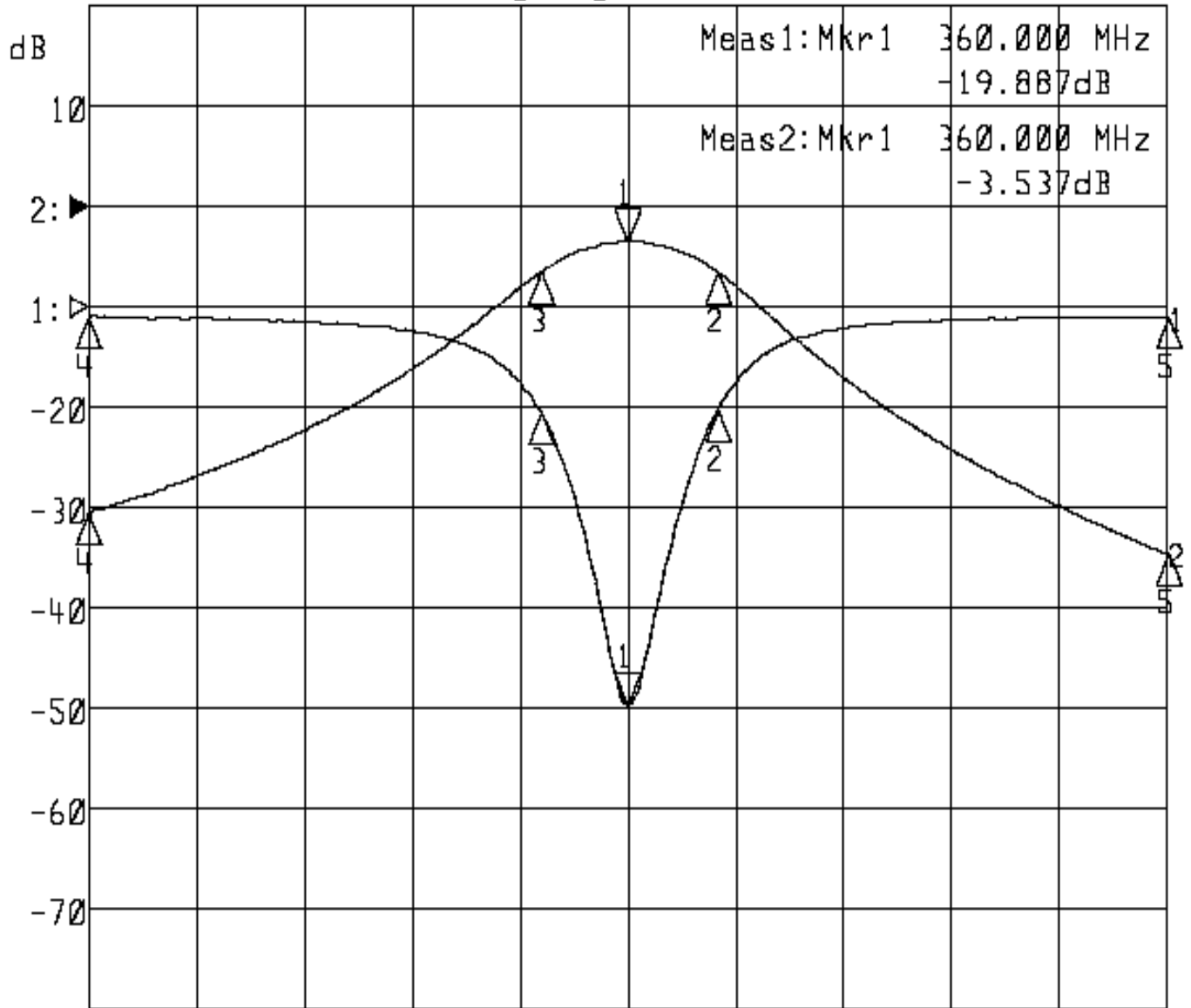
TEMWELL CORPORATION

# Performance-TDR2629A-360M

## 20204043DC

▶1:S11 Refl Port1 Log Mag 5.0 dB/ Ref 0.00 dB C

▶2:S21 Fwd Trans Log Mag 10.0 dB/ Ref 0.00 dB C



Center 360.000 MHz

Span 100.000 MHz

1: Mkr (MHz)	dB	2: Mkr (MHz)	dB
1> 360.0000	-19.887	1> 360.0000	-3.537
2: 368.3667	-5.114	2: 368.3667	-6.519
3: 351.9333	-5.193	3: 351.9333	-6.536
4: 310.0000	-0.555	4: 310.0000	-30.605
5: 410.0000	-0.524	5: 410.0000	-34.603