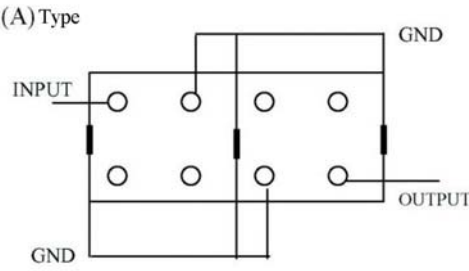
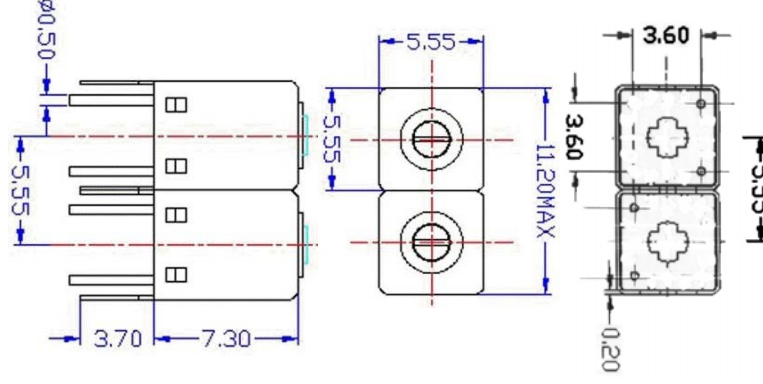


VHF UHF Helical Filter Specification Sheet

Customer Name		Temwell's Part No.	TDR2637A-440M
Approval No. /dated	20201064DC	Acceptable Specify Fo. Range	400~450MHz
Work Instruction No.	20201064DC	Date	Jan.23.2002

<p>(1)Pin Position</p>  <p style="text-align: center;">(Bottom View)</p>	<p>(2)Size Diagram</p> 
---	---

(3)Electric Character

Item	Specify	Performance	
Center Freq.(Fo) +/- 0.5 %	440 MHz	440 MHz	
Tunable Range:	440±10 MHz	440±10 MHz	
Insertion Loss	Typ. 3.5 dB	2.6 dB	
-3 dB Bandwidth	Typ. 17 MHz	21.1 MHz	
Sensitivity (Attenuation)	Fo - 50 MHz	Typ. 21 dBc	24 dBc
	Fo + 50 MHz	Typ. 24 dBc	27 dBc
	Fo - ()MHz	Typ. dBc	dBc
	Fo +()MHz	Typ. dBc	dBc
Return Loss	Min. 12 dB	19 dB	
Ripple	< 1 dB	dB	
Impedance	In / Out : 50 Ω	In / Out : 50 Ω	

(4)Torque for Tuning Screw	> 60gf • cm
----------------------------	-------------

(5)Temperature Condition:

Operating Temperature	-30°C ~ +70°C
Storage Temperature	-30°C ~ +80°C

(6)Input Power	> 0.5Watt
----------------	-----------

Approval	Supervisor	Designer	Aperture size
C.Y.Chang	C.S.Chang	C.S.Chang	5R2S(3.8*4.2)

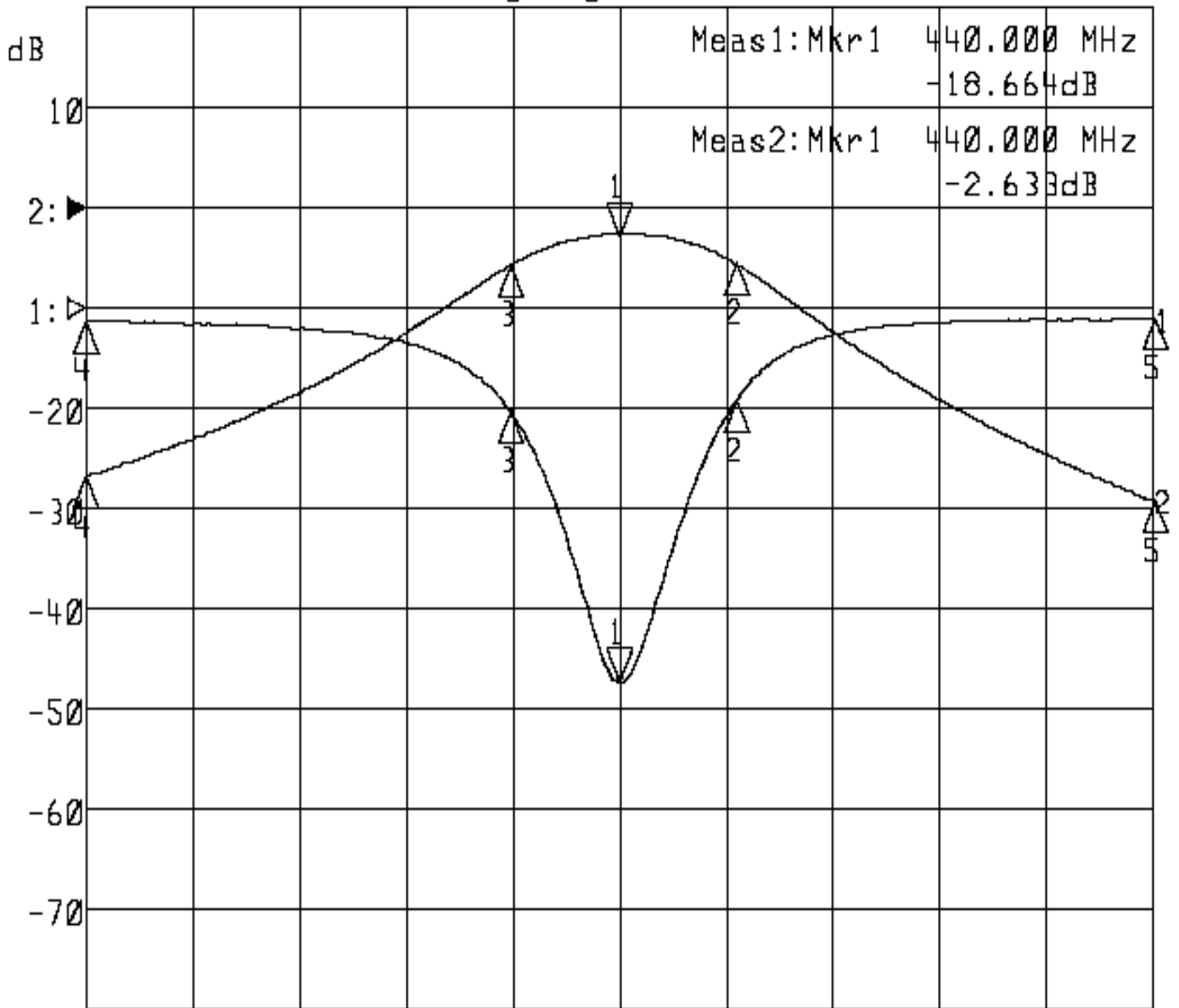
TEMWELL CORPORATION

RF Filter & Duplexer Manufacturer : TDR2637A-440M rvbw 0505

Performance-TDR2637A-440M

20201064DC

►1: S11 Refl Port1 Log Mag 5.0 dB/ Ref 0.00 dB C
►2: S21 Fwd Trans Log Mag 10.0 dB/ Ref 0.00 dB C



Center 440.000 MHz

Span 100.000 MHz

1: Mkr (MHz)	dB	2: Mkr (MHz)	dB
1> 440.0000	-18.664	1> 440.0000	-2.633
2: 450.9333	-4.630	2: 450.9333	-5.617
3: 429.8000	-5.139	3: 429.8000	-5.711
4: 390.0000	-0.624	4: 390.0000	-26.768
5: 490.0000	-0.541	5: 490.0000	-29.246