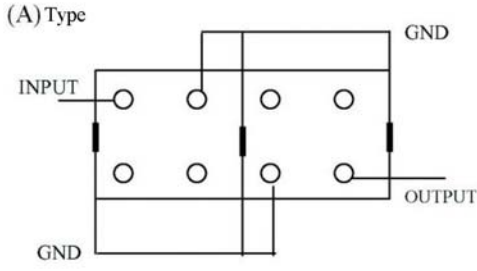
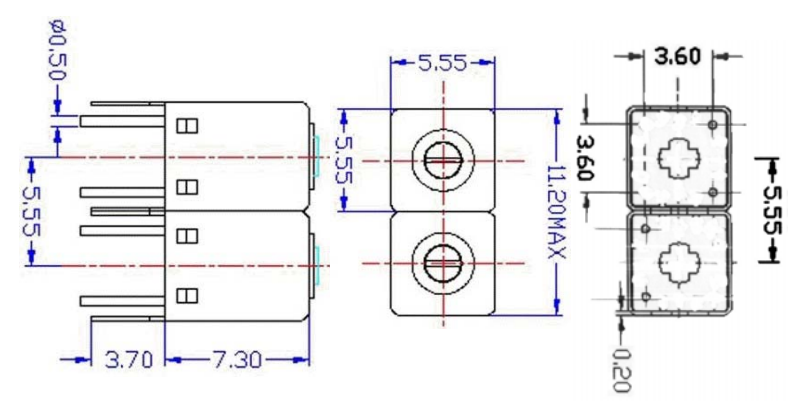


VHF UHF Helical Filter Specification Sheet

Customer Name		Temwell's Part No.	TDR2663A-580M
Approval No. /dated	20204045DC	Acceptable Specify Fo. Range	550~600MHz
Work Instruction No.	20204045DC	Date	May.17.2002

<p>(1)Pin Position</p>  <p style="text-align: center;">(Bottom View)</p>	<p>(2)Size Diagram</p> 
---	---

(3)Electric Character

Item	Specify	Performance
Center Freq.(Fo) +/- 0.5 %	580 MHz	580 MHz
Tunable Range:	580±10 MHz	580±10 MHz
Insertion Loss	Typ. 5.0 dB	4.1 dB
-3 dB Bandwidth	Typ. 11 MHz	17.1 MHz
Sensitivity (Attenuation)	Fo - 50 MHz	Typ. 22 dBc
	Fo + 50 MHz	Typ. 28 dBc
	Fo - ()MHz	Typ. dBc
	Fo +()MHz	Typ. dBc
Return Loss	Min. 12 dB	18 dB
Ripple	< 1 dB	dB
Impedance	In / Out : 50 Ω	In / Out : 50 Ω

(4)Torque for Tuning Screw > 60gf • cm

(5)Temperature Condition:

Operating Temperature	-30°C ~ +70°C
Storage Temperature	-30°C ~ +80°C

(6)Input Power > 0.5Watt

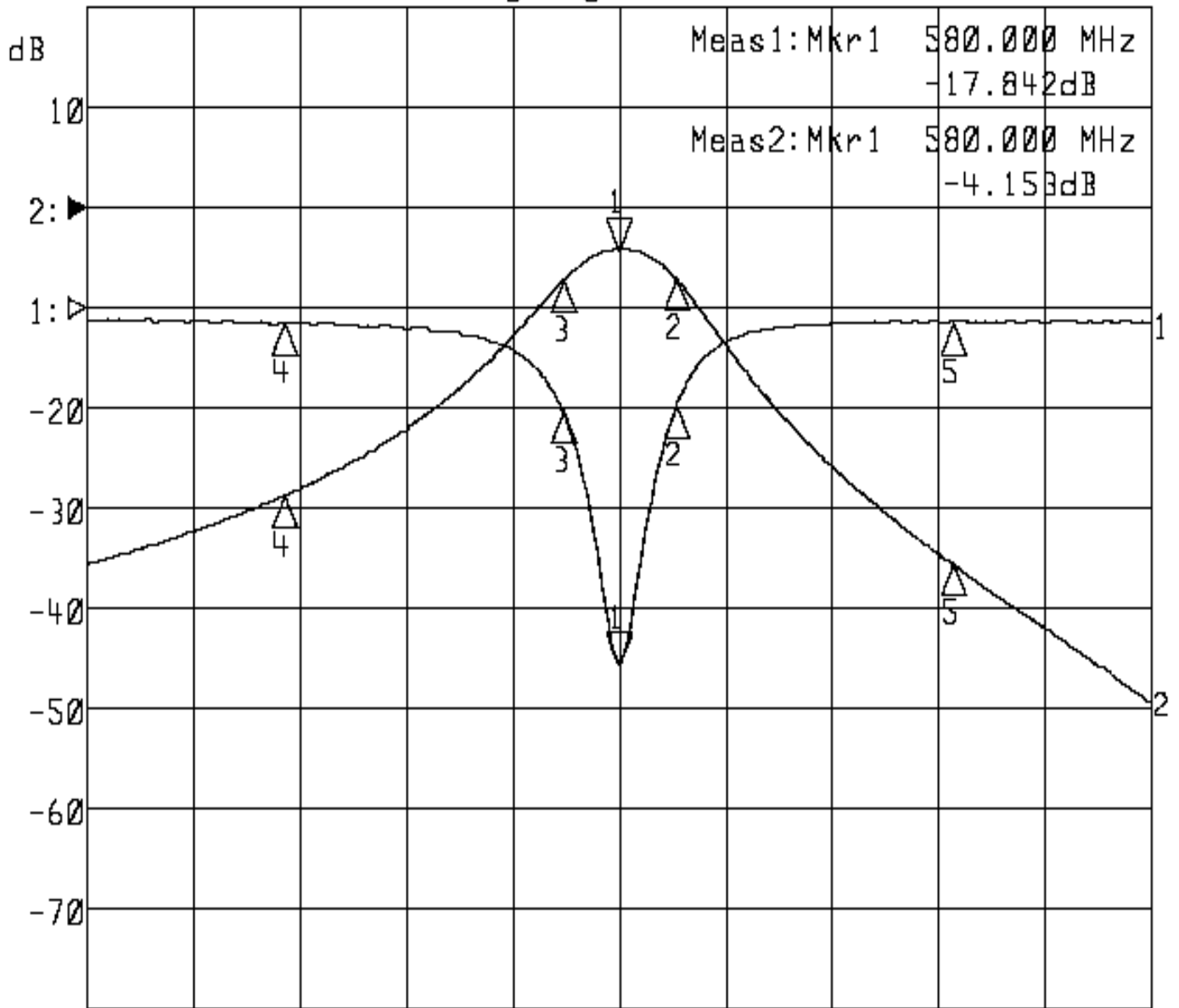
Approval	Supervisor	Designer	Aperture size
C.Y.Chang	C.S.Chang	C.S.Chang	5R2S(3.8*3.7)

TEMWELL CORPORATION

Performance-TDR2663A-580M

20204045DC

▶1:S11 Refl Port1 Log Mag 5.0 dB/ Ref 0.00 dB C
▶2:S21 Fwd Trans Log Mag 10.0 dB/ Ref 0.00 dB C



Center 580.000 MHz

Span 160.000 MHz

1:Mkr (MHz)	dB	2:Mkr (MHz)	dB
1> 580.0000	-17.842	1> 580.0000	-4.153
2: 588.6133	-4.903	2: 588.6133	-7.110
3: 571.5467	-5.111	3: 571.5467	-7.262
4: 530.0000	-0.746	4: 530.0000	-28.640
5: 630.0000	-0.704	5: 630.0000	-35.566