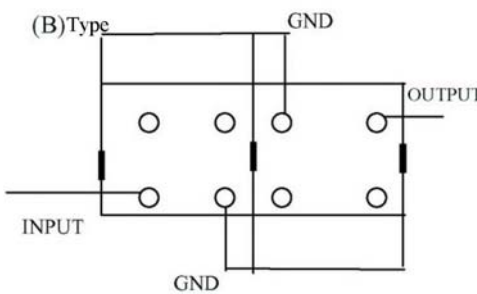
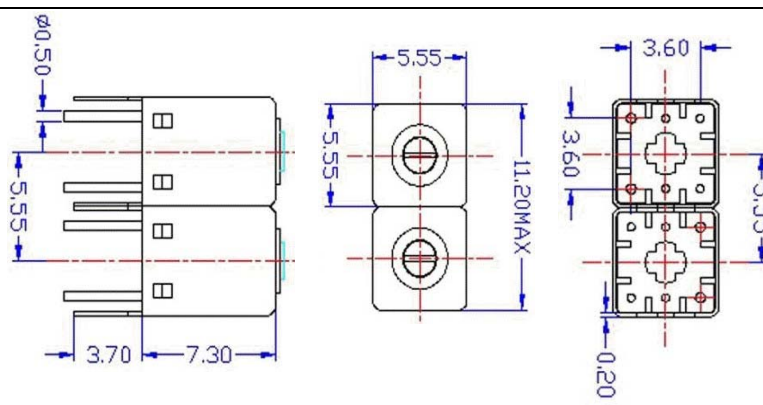


VHF UHF Helical Filter Specification Sheet

Customer Name		Temwell's Part No.	TDR2691B-725M
Approval No. /dated	20201124DC	Acceptable Specify Fo. Range	700~750MHz
Work Instruction No.	20201124DC	Date	Jan.30.2002

<p>(1)Pin Position</p>  <p style="text-align: center;">(Bottom View)</p>	<p>(2)Size Diagram</p> 
---	---

(3)Electric Character

Item	Specify	Performance
Center Freq.(Fo) +/- 0.5 %	725 MHz	725 MHz
Tunable Range:	725±10 MHz	725±10 MHz
Insertion Loss	Typ. 2.5 dB	1.7 dB
-3 dB Bandwidth	Typ. 27 MHz	33.9 MHz
Sensitivity (Attenuation)	Fo - 50 MHz	Typ. 18 dBc
	Fo + 50 MHz	Typ. 14 dBc
	Fo - ()MHz	Typ. dBc
	Fo +()MHz	Typ. dBc
Return Loss	Min. 12 dB	26 dB
Ripple	< 1 dB	dB
Impedance	In / Out : 50 Ω	In / Out : 50 Ω

(4)Torque for Tuning Screw > 60gf • cm

(5)Temperature Condition:

Operating Temperature	-30°C ~ +70°C
Storage Temperature	-30°C ~ +80°C

(6)Input Power > 0.5Watt

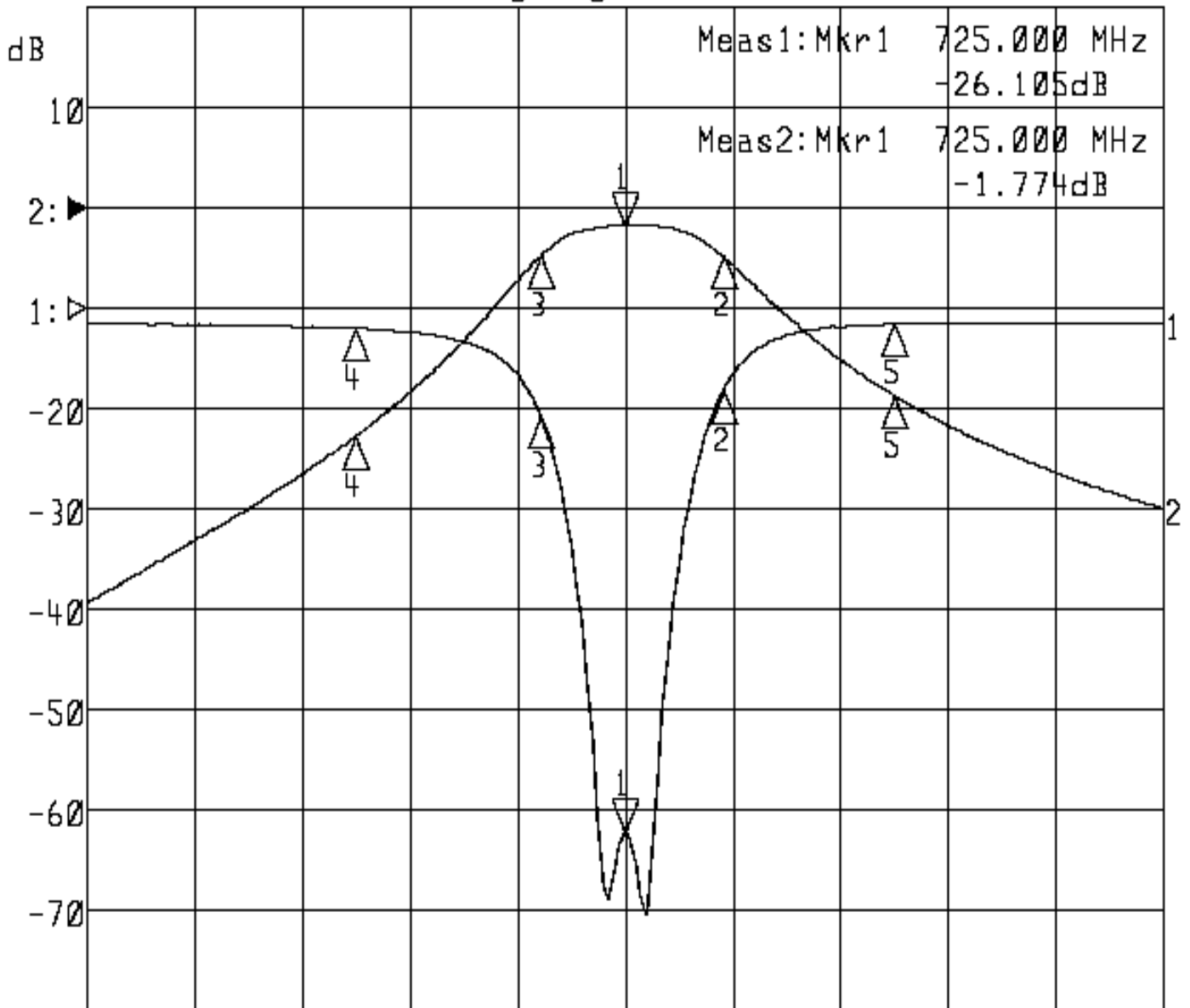
Approval	Supervisor	Designer	Aperture size
C.Y.Chang	C.S.Chang	C.S.Chang	5R2S(3.8*4.2)

TEMWELL CORPORATION

Performance-TDR2691B-725M

20201124DC

▶1:S11 Refl Port1 Log Mag 5.0 dB/ Ref 0.00 dB C
▶2:S21 Fwd Trans Log Mag 10.0 dB/ Ref 0.00 dB C



Center 725.000 MHz

Span 200.000 MHz

1: Mkr (MHz)	dB	2: Mkr (MHz)	dB
1> 725.0000	-26.105	1> 725.0000	-1.774
2: 743.2000	-4.077	2: 743.2000	-4.792
3: 709.3333	-5.372	3: 709.3333	-4.738
4: 675.0000	-0.997	4: 675.0000	-22.703
5: 775.0000	-0.805	5: 775.0000	-18.656