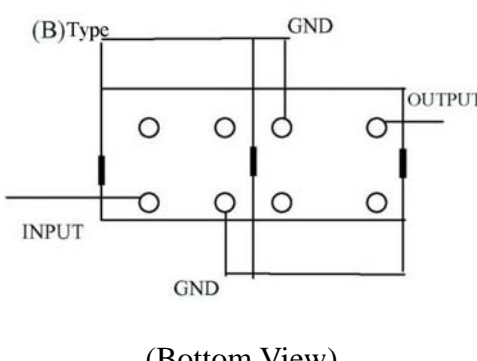
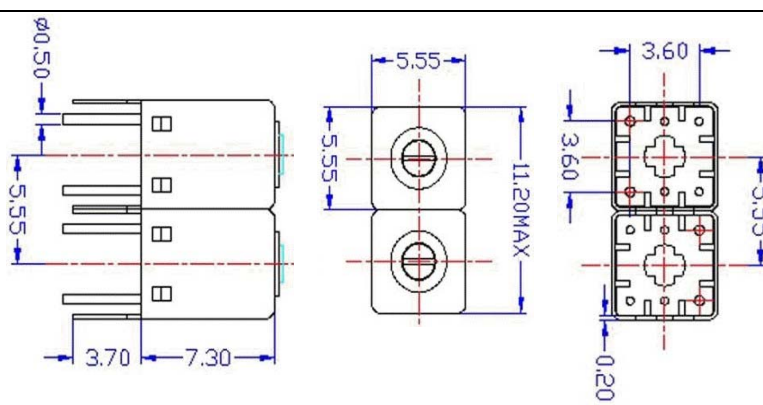


VHF UHF Helical Filter Specification Sheet

Customer Name		Temwell's Part No.	TDR2701B-775M
Approval No. /dated	20201126DC	Acceptable Specify Fo. Range	750~800MHz
Work Instruction No.	20201126DC	Date	Jan.30.2002

<p>(1)Pin Position</p>  <p style="text-align: center;">(Bottom View)</p>	<p>(2)Size Diagram</p> 
---	---

(3)Electric Character

Item	Specify	Performance	
Center Freq.(Fo) +/- 0.5 %	775 MHz	775 MHz	
Tunable Range:	775±10 MHz	775±10 MHz	
Insertion Loss	Typ. 2.5 dB	1.8 dB	
-3 dB Bandwidth	Typ. 29 MHz	36.6 MHz	
Sensitivity (Attenuation)	Fo - 50 MHz	Typ. 15 dBc	18 dBc
	Fo + 50 MHz	Typ. 12 dBc	15 dBc
	Fo - ()MHz	Typ. dBc	dBc
	Fo +()MHz	Typ. dBc	dBc
Return Loss	Min. 12 dB	23 dB	
Ripple	< 1 dB	dB	
Impedance	In / Out : 50 Ω	In / Out : 50 Ω	

(4)Torque for Tuning Screw > 60gf • cm

(5)Temperature Condition:

Operating Temperature	-30°C ~ +70°C
Storage Temperature	-30°C ~ +80°C

(6)Input Power > 0.5Watt

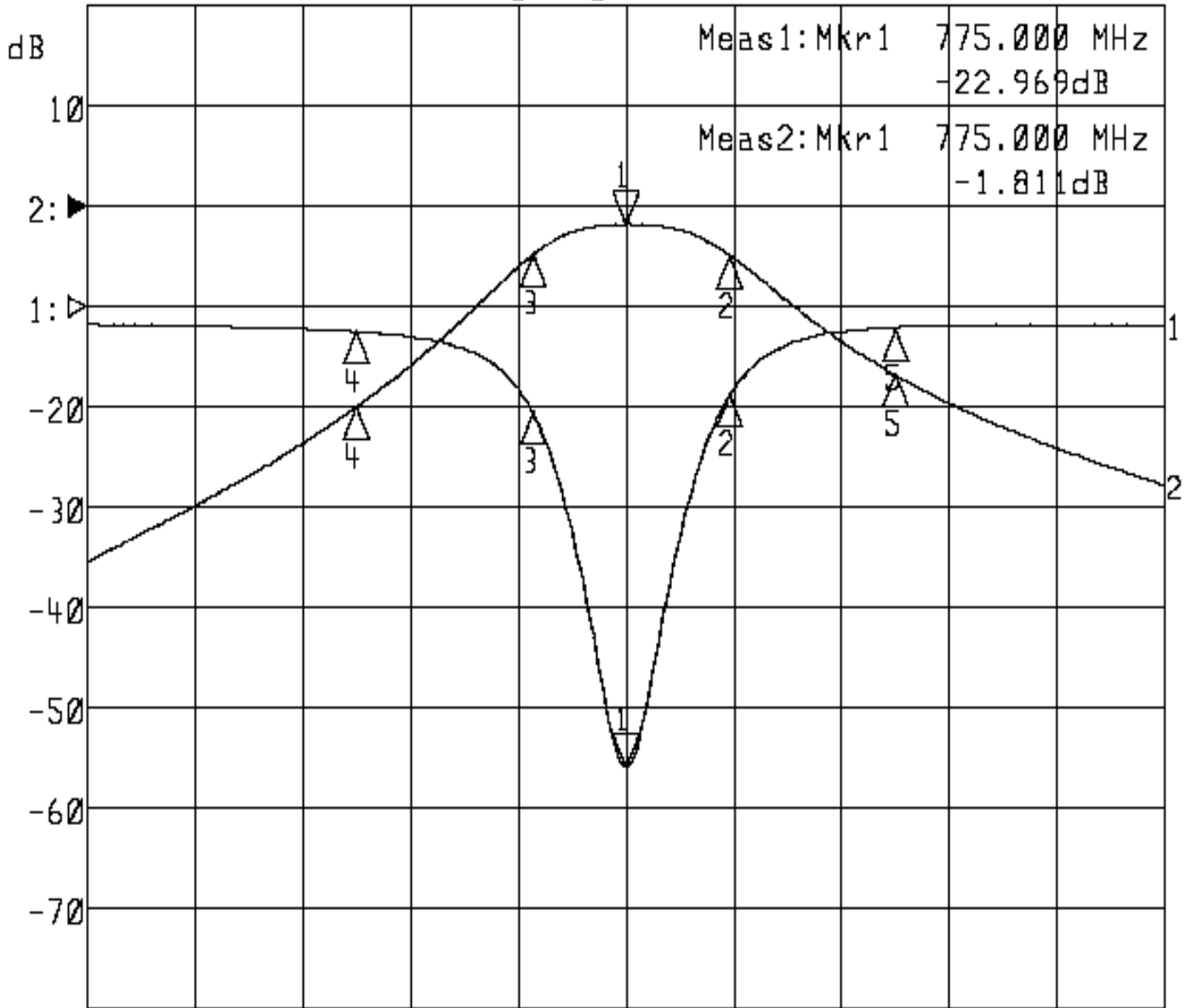
Approval	Supervisor	Designer	Aperture size
C.Y.Chang	C.S.Chang	C.S.Chang	5R2S(3.8*4.2)

TEMWELL CORPORATION

Performance-TDR2701B-775M

20201126DC

▶1:S11 Refl Port1 Log Mag 5.0 dB/ Ref 0.00 dB C
▶2:S21 Fwd Trans Log Mag 10.0 dB/ Ref 0.00 dB C



Center 775.000 MHz

Span 200.000 MHz

1:Mkr (MHz)	dB	2:Mkr (MHz)	dB
1> 775.0000	-22.969	1> 775.0000	-1.811
2: 794.3333	-4.393	2: 794.3333	-4.889
3: 757.7333	-5.231	3: 757.7333	-4.836
4: 725.0000	-1.276	4: 725.0000	-20.027
5: 825.0000	-1.067	5: 825.0000	-16.829