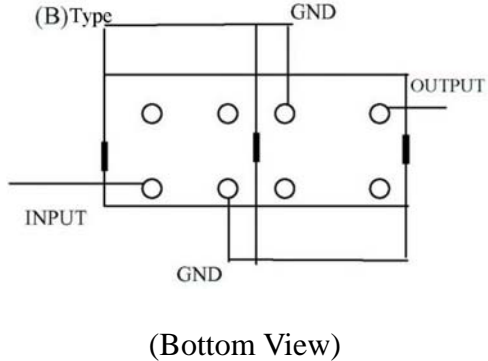
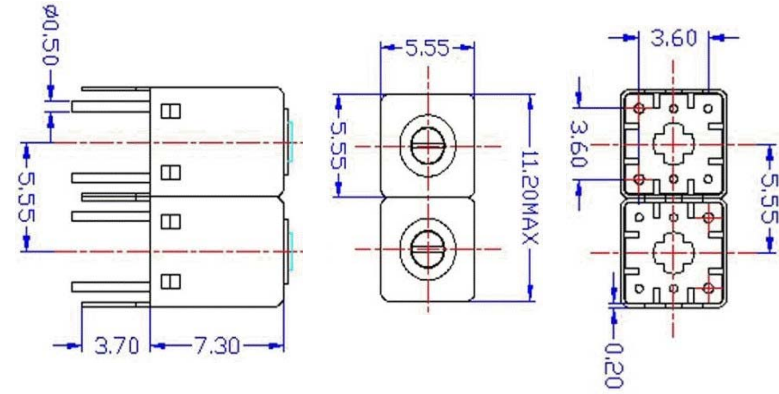


VHF UHF Helical Filter Specification Sheet

Customer Name		Temwell's Part No.	TDR2711B-820M
Approval No. /dated	20203047B	Acceptable Specify Fo. Range	800~850MHz
Work Instruction No.	20203047B	Date	Mar.21.2002

(1)Pin Position	(2)Size Diagram
 <p>(Bottom View)</p>	

(3)Electric Character

Item	Specify	Performance	
Center Freq.(Fo) +/- 0.5 %	820 MHz	820 MHz	
Tunable Range:	820±15 MHz	820±15 MHz	
Insertion Loss	Typ. 2.5 dB	1.8 dB	
-3 dB Bandwidth	Typ. 27 MHz	35.1 MHz	
Sensitivity (Attenuation)	Fo - 100 MHz	Typ. 32 dBc	35 dBc
	Fo + 100 MHz	Typ. 25 dBc	28 dBc
	Fo - ()MHz	Typ. dBc	dBc
	Fo +()MHz	Typ. dBc	dBc
Return Loss	Min. 12 dB	22 dB	
Ripple	< 1 dB	dB	
Impedance	In / Out : 50 Ω	In / Out : 50 Ω	
(4)Torque for Tuning Screw	> 60gf • cm		

(5)Temperature Condition:

Operating Temperature	-30°C ~ +70°C
Storage Temperature	-30°C ~ +80°C

(6)Input Power

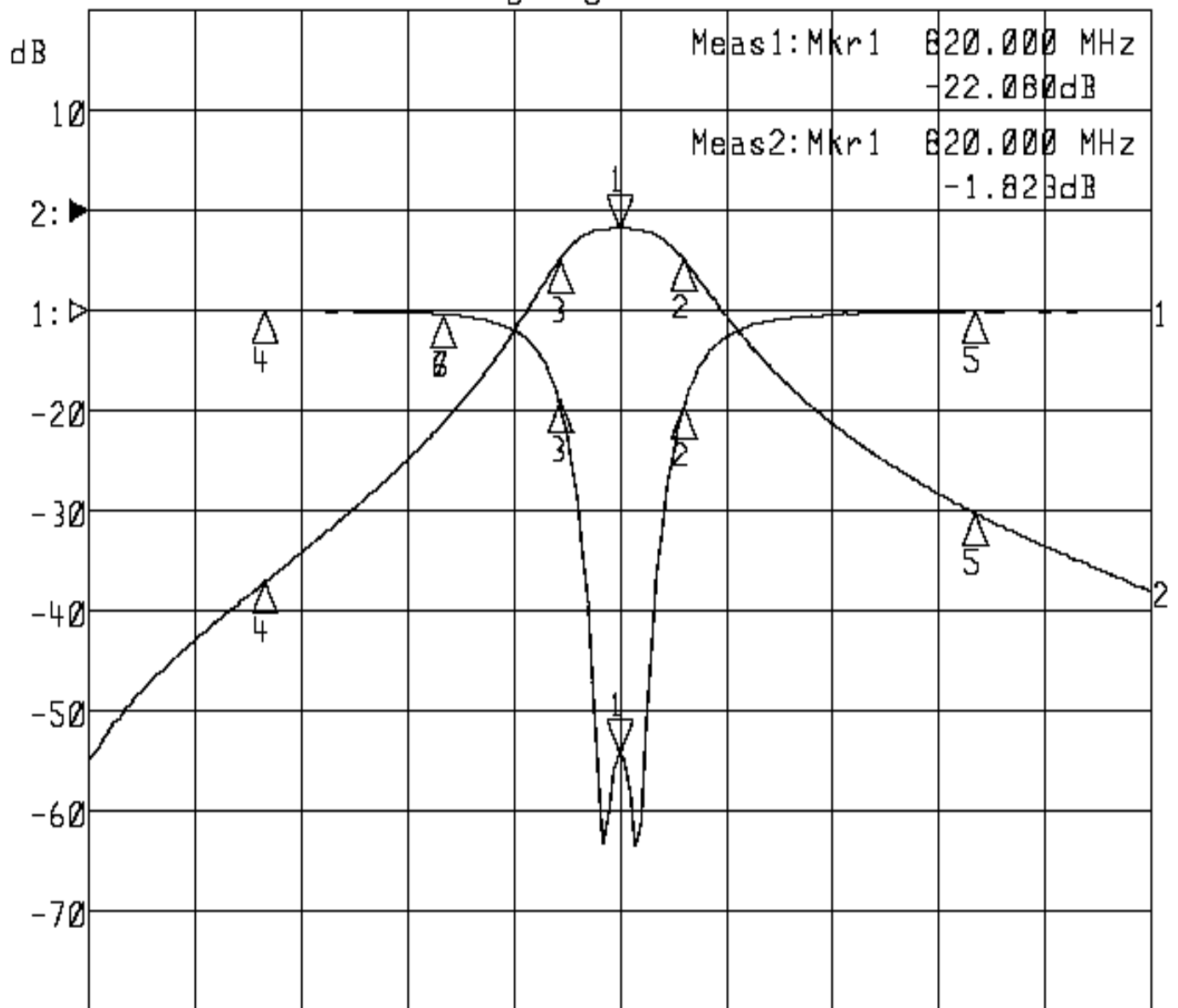
		> 0.5Watt	
Approval	Supervisor	Designer	Aperture size
C.Y.Chang	C.S.Chang	C.S.Chang	5R2S(3.8*4.2)

TEMWELL CORPORATION

Performance-TDR2711B-820M

20203047B

▶1: S11 Refl Port1 Log Mag 5.0 dB/ Ref 0.00 dB C
 ▶2: S21 Fwd Trans Log Mag 10.0 dB/ Ref 0.00 dB C



Center 820.000 MHz

Span 300.000 MHz

1: Mkr (MHz)	dB	2: Mkr (MHz)	dB
1> 820.0000	-22.080	1> 820.0000	-1.823
2: 838.1000	-4.746	2: 838.1000	-4.813
3: 803.0000	-4.544	3: 803.0000	-4.901
4: 720.0000	-0.005	4: 720.0000	-37.093
5: 920.0000	-0.053	5: 920.0000	-30.206
6: 770.0000	-0.215		
7: 770.0000	-0.215		