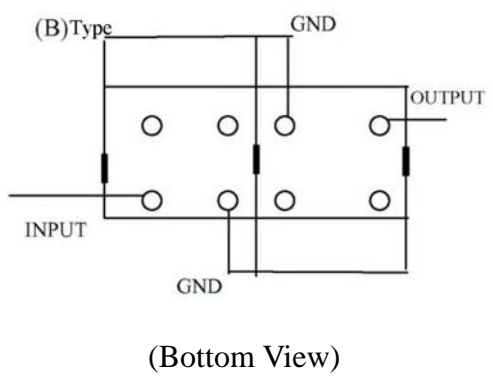
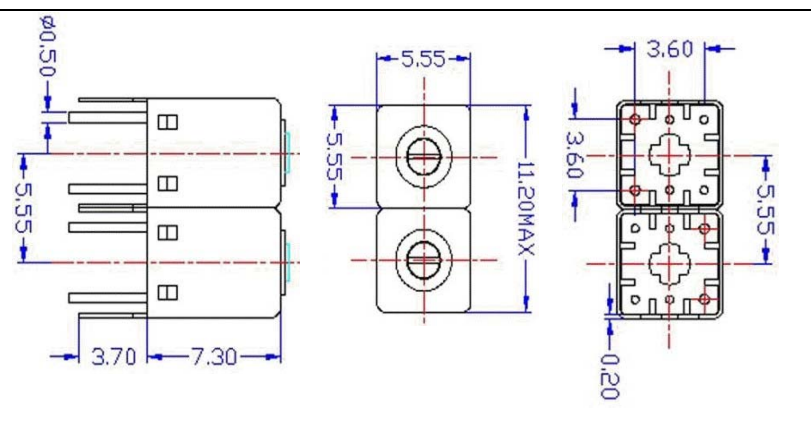


# VHF UHF Helical Filter Specification Sheet

Customer Name		Temwell's Part No.	TDR2731B-880M
Approval No. /dated	20203048B	Acceptable Specify Fo. Range	850~900MHz
Work Instruction No.	20203048B	Date	Mar.21.2002

<p>(1)Pin Position</p>  <p style="text-align: center;">(Bottom View)</p>	<p>(2)Size Diagram</p> 
---	---

**(3)Electric Character**

Item	Specify	Performance	
Center Freq.(Fo ) +/- 0.5 %	880 MHz	880 MHz	
Tunable Range:	880±15 MHz	880±15 MHz	
Insertion Loss	Typ. 2.5 dB	1.9 dB	
-3 dB Bandwidth	Typ. 25 MHz	33.5 MHz	
Sensitivity (Attenuation)	Fo - 100 MHz	Typ. 32 dBc	35 dBc
	Fo + 100 MHz	Typ. 25 dBc	28 dBc
	Fo - ( )MHz	Typ. dBc	dBc
	Fo +( )MHz	Typ. dBc	dBc
Return Loss	Min. 12 dB	29 dB	
Ripple	< 1 dB	dB	
Impedance	In / Out : 50 Ω	In / Out : 50 Ω	

(4)Torque for Tuning Screw > 60gf · cm

**(5)Temperature Condition:**

Operating Temperature	-30℃ ~ +70℃
Storage Temperature	-30℃ ~ +80℃

(6)Input Power > 0.5Watt

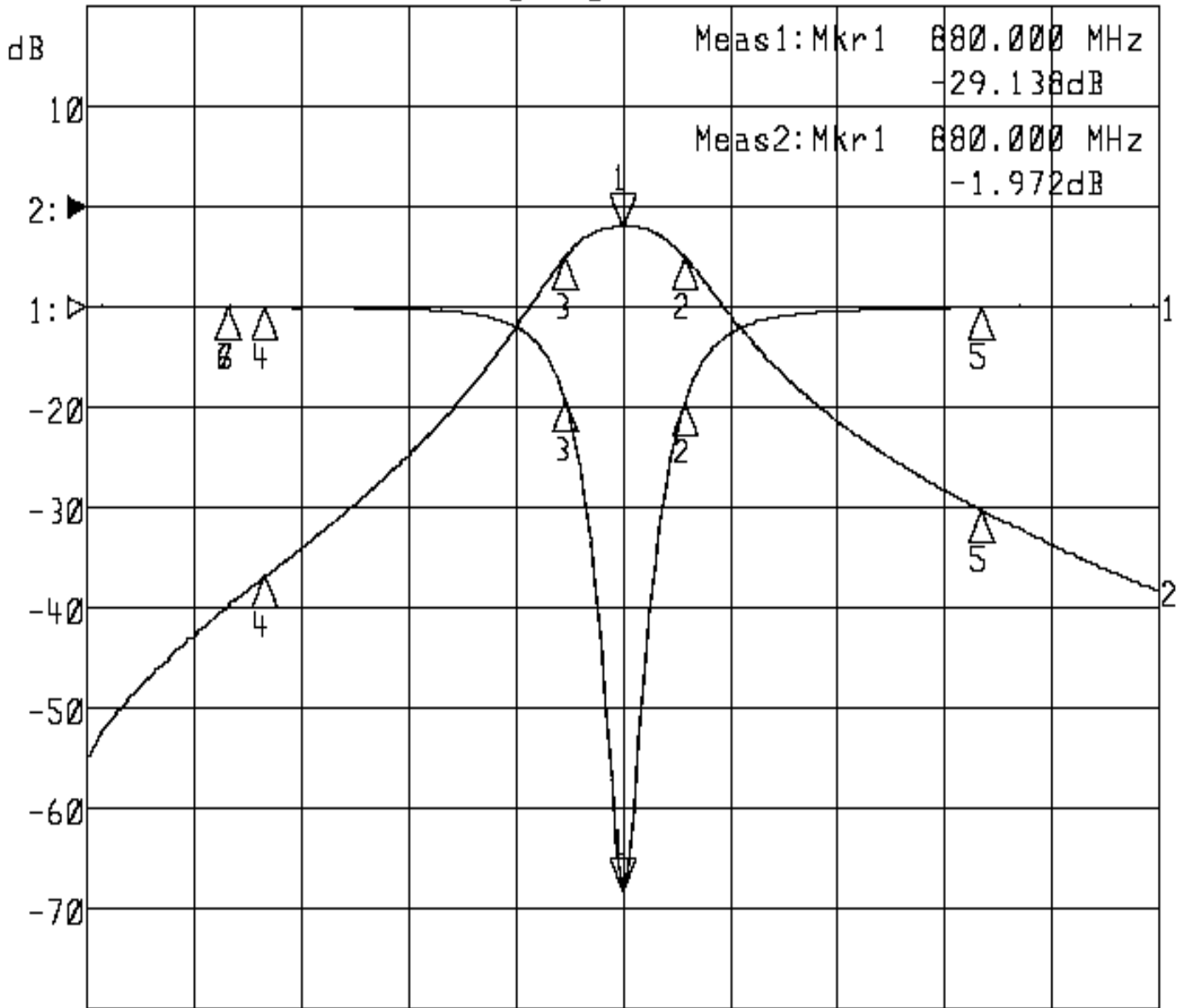
Approval	Supervisor	Designer	Aperture size
C.Y.Chang	C.S.Chang	C.S.Chang	5R2S(3.8*4.2)

TEMWELL CORPORATION

# Performance-TDR2731B-880M

## 20203048B

▶1: S11 Refl Port1    Log Mag    5.0 dB/ Ref    0.00 dB    C  
 ▶2: S21 Fwd Trans    Log Mag    10.0 dB/ Ref    0.00 dB    C



Meas1: Mkr1    880.000 MHz  
                   -29.138dB  
 Meas2: Mkr1    880.000 MHz  
                   -1.972dB

Center 880.000 MHz

Span 300.000 MHz

1: Mkr (MHz)	dB	2: Mkr (MHz)	dB
1> 880.0000	-29.138	1> 880.0000	-1.972
2: 897.4000	-4.728	2: 897.4000	-4.950
3: 863.9000	-4.635	3: 863.9000	-4.956
4: 780.0000	0.019	4: 780.0000	-36.838
5: 980.0000	-0.016	5: 980.0000	-30.167
6: 770.0000	0.029		
7: 770.0000	0.029		