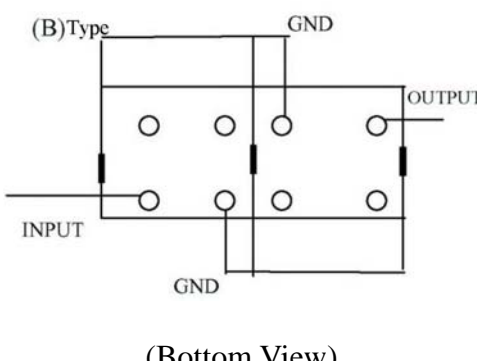
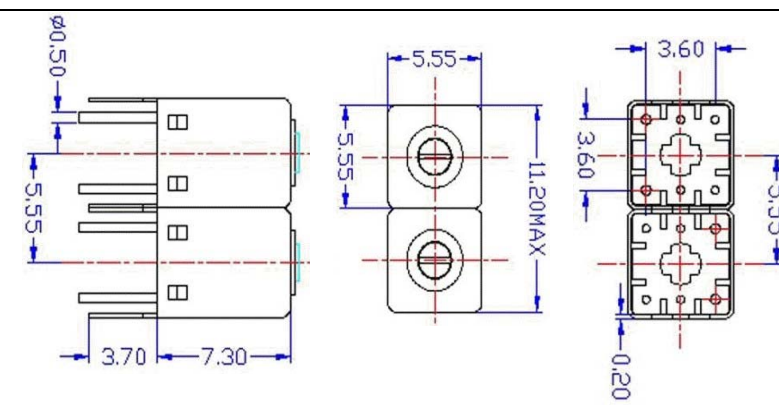


VHF UHF Helical Filter Specification Sheet

Customer Name		Temwell's Part No.	TDR2751B-925M
Approval No. /dated	20201106DC	Acceptable Specify Fo. Range	900~950MHz
Work Instruction No.	20201106DC	Date	Jan.31.2002

(1)Pin Position	(2)Size Diagram
 <p>(Bottom View)</p>	

(3)Electric Character

Item	Specify	Performance	
Center Freq.(Fo) +/- 0.5 %	925 MHz	925 MHz	
Tunable Range:	925±15 MHz	925±15 MHz	
Insertion Loss	Typ. 3.0 dB	2.3 dB	
-3 dB Bandwidth	Typ. 28 MHz	37.2 MHz	
Sensitivity (Attenuation)	Fo - 100 MHz	Typ. 28 dBc	31 dBc
	Fo + 100 MHz	Typ. 22 dBc	25 dBc
	Fo - ()MHz	Typ. dBc	dBc
	Fo +()MHz	Typ. dBc	dBc
Return Loss	Min. 12 dB	17 dB	
Ripple	< 1 dB	dB	
Impedance	In / Out : 50 Ω	In / Out : 50 Ω	

(4)Torque for Tuning Screw > 60gf • cm

(5)Temperature Condition:

Operating Temperature	-30°C ~ +70°C
Storage Temperature	-30°C ~ +80°C

(6)Input Power > 0.5Watt

Approval	Supervisor	Designer	Aperture size
C.Y.Chang	C.S.Chang	C.S.Chang	5R2S(3.8*4.2)

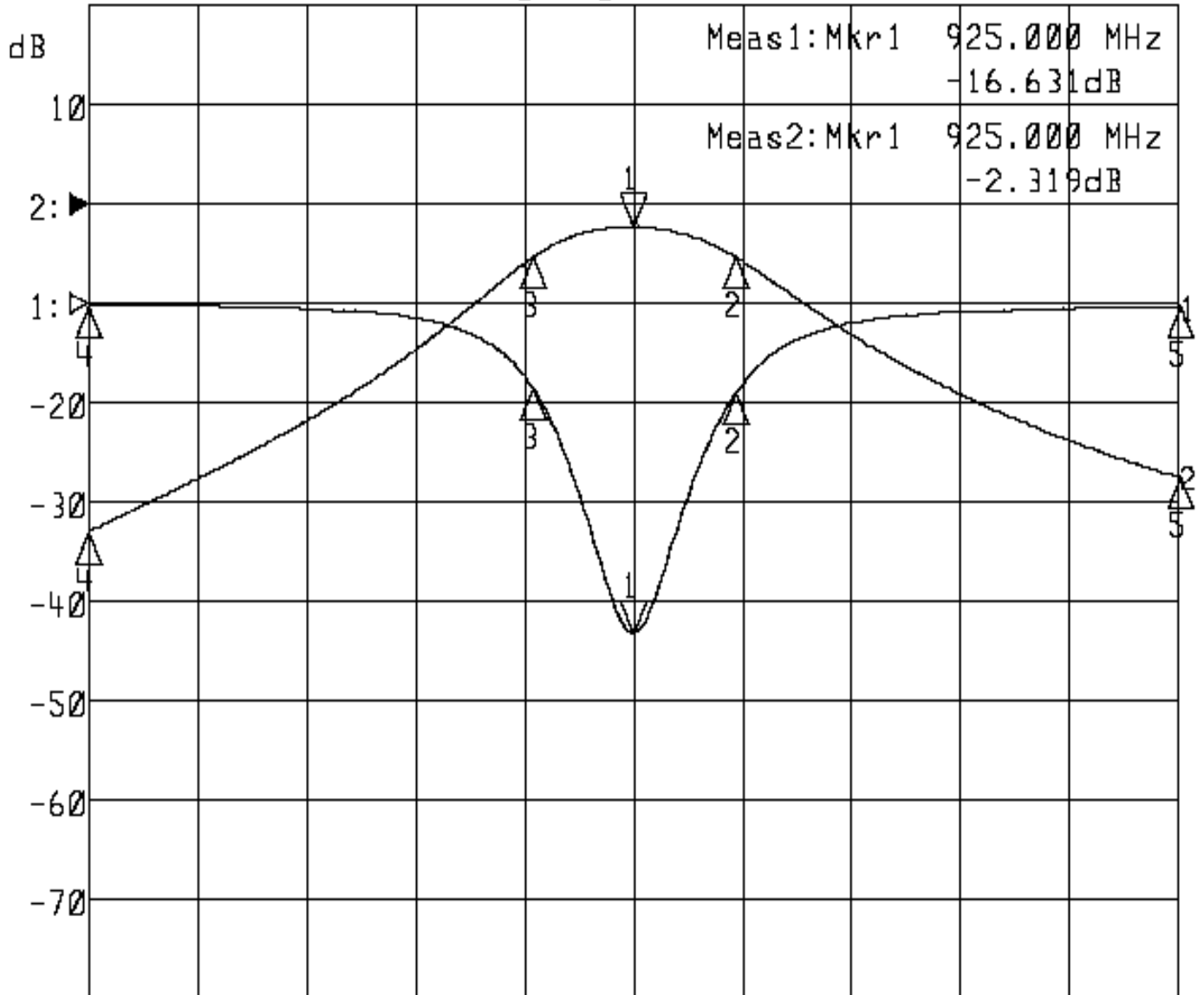
TEMWELL CORPORATION

Performance-TDR2751B-925M

20201106DC

▷1:S11 Refl Port1 Log Mag 5.0 dB/ Ref 0.00 dB C

▶2:S21 Fwd Trans Log Mag 10.0 dB/ Ref 0.00 dB C



Center 925.000 MHz

Span 200.000 MHz

1: Mkr (MHz)	dB	2: Mkr (MHz)	dB
1> 925.0000	-16.631	1> 925.0000	-2.319
2: 943.8000	-4.503	2: 943.8000	-5.351
3: 906.6000	-4.255	3: 906.6000	-5.350
4: 825.0000	-0.095	4: 825.0000	-32.922
5: 1025.0000	-0.181	5: 1025.0000	-27.469