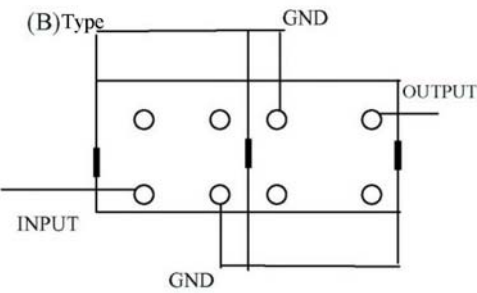
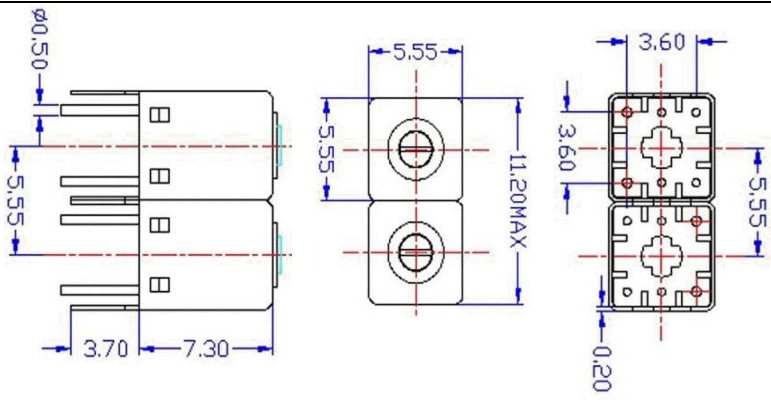


VHF UHF Helical Filter Specification Sheet

Customer Name		Temwell's Part No.	TDR2769B-975M
Approval No. /dated	20201108DC	Acceptable Specify Fo. Range	950~1000MHz
Work Instruction No.	20201108DC	Date	Jan.31.2002

<p>(1)Pin Position</p>  <p style="text-align: center;">(Bottom View)</p>	<p>(2)Size Diagram</p> 
-----------------------------------------------------------------------------------------------------------------------------------------------------------	-----------------------------------------------------------------------------------------------------------

(3)Electric Character			
Item	Specify	Performance	
Center Freq.(Fo) +/- 0.5 %	975 MHz	975 MHz	
Tunable Range:	975±15 MHz	975±15 MHz	
Insertion Loss	Typ. 3.0 dB	2.1 dB	
-3 dB Bandwidth	Typ. 28 MHz	37.3 MHz	
Sensitivity (Attenuation)	Fo - 100 MHz	Typ. 29 dBc	32 dBc
	Fo + 100 MHz	Typ. 23 dBc	26 dBc
	Fo - ()MHz	Typ. dBc	dBc
	Fo +()MHz	Typ. dBc	dBc
Return Loss	Min. 12 dB	19 dB	
Ripple	< 1 dB	dB	
Impedance	In / Out : 50 Ω	In / Out : 50 Ω	
(4)Torque for Tuning Screw		> 60gf • cm	
(5)Temperature Condition:			
Operating Temperature		-30℃ ~ +70℃	
Storage Temperature		-30℃ ~ +80℃	
(6)Input Power		> 0.5Watt	
Approval	Supervisor	Designer	Aperture size
C.Y.Chang	C.S.Chang	C.S.Chang	5R2S(3.8*4.2)

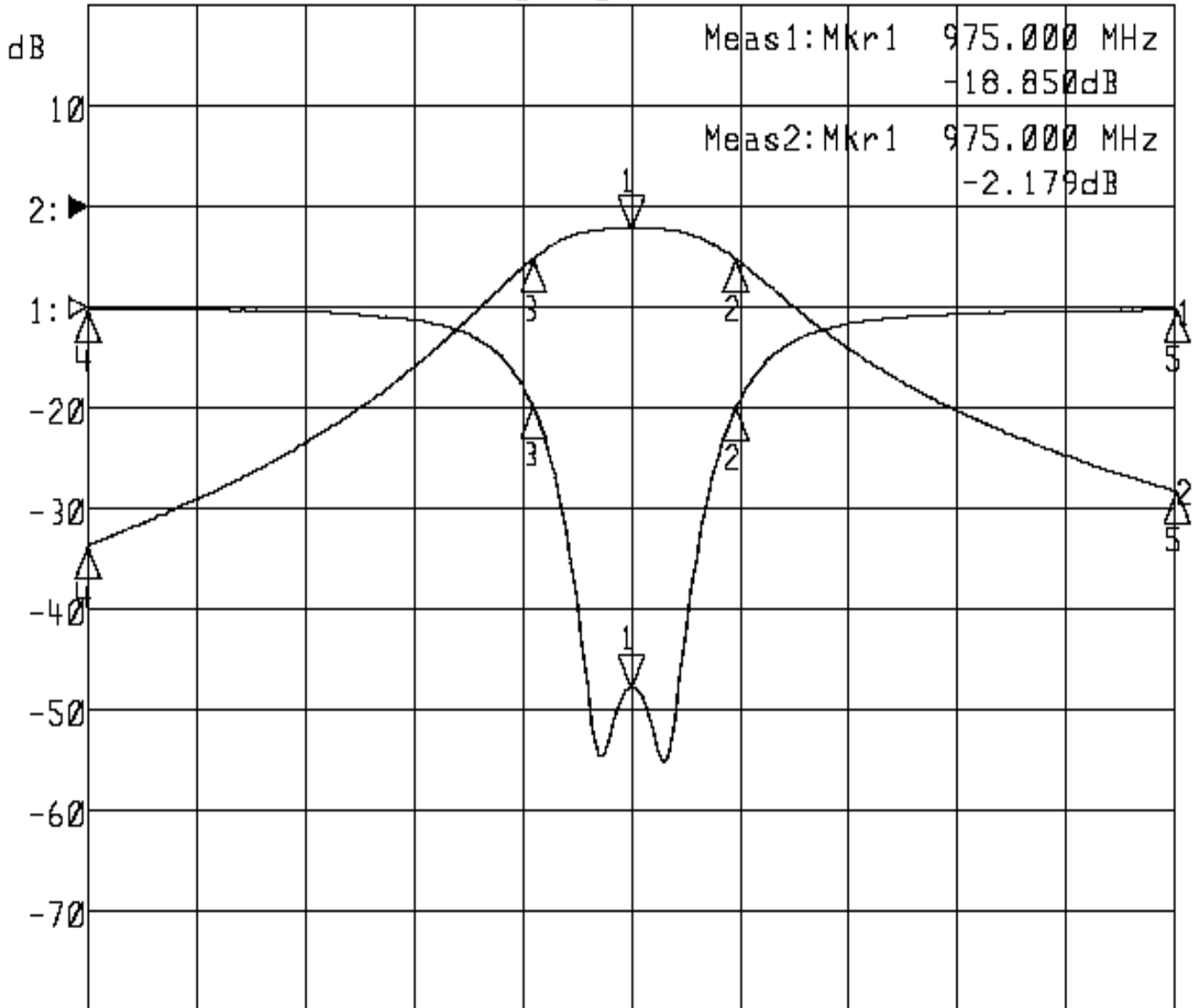
TEMWELL CORPORATION

Performance-TDR2769B-975M

20201108DC

▷1:S11 Refl Port1 Log Mag 5.0 dB/ Ref 0.00 dB C

▶2:S21 Fwd Trans Log Mag 10.0 dB/ Ref 0.00 dB C



Center 975.000 MHz

Span 200.000 MHz

1: Mkr (MHz)	dB	2: Mkr (MHz)	dB
1> 975.0000	-18.850	1> 975.0000	-2.179
2: 994.2000	-5.045	2: 994.2000	-5.125
3: 956.9333	-4.883	3: 956.9333	-5.186
4: 875.0000	-0.079	4: 875.0000	-33.646
5: 1075.0000	-0.140	5: 1075.0000	-28.244