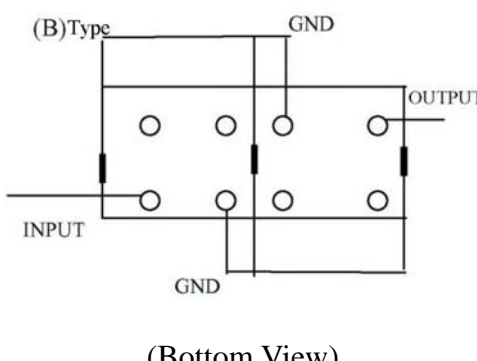
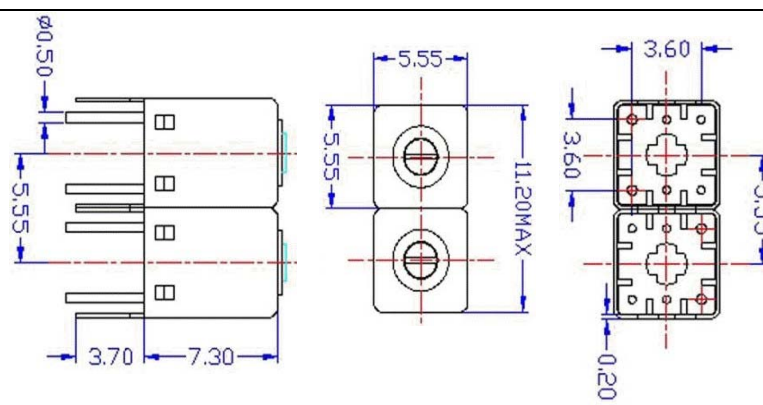


# VHF UHF Helical Filter Specification Sheet

Customer Name		Temwell's Part No.	TDR2773B-1225M
Approval No. /dated	20201118DC	Acceptable Specify Fo. Range	1200~1250MHz
Work Instruction No.	20201118DC	Date	Feb.02.2002

(1)Pin Position	(2)Size Diagram
 <p>(Bottom View)</p>	

### (3)Electric Character

Item	Specify	Performance	
Center Freq.(Fo ) +/- 0.5 %	1225 MHz	1225 MHz	
Tunable Range:	1225±20 MHz	1225±20 MHz	
Insertion Loss	Typ. 4.0 dB	3.3 dB	
-3 dB Bandwidth	Typ. 30 MHz	41.3 MHz	
Sensitivity (Attenuation)	Fo - 100 MHz	Typ. 23 dBc	26 dBc
	Fo + 100 MHz	Typ. 19 dBc	22 dBc
	Fo - ( )MHz	Typ. dBc	dBc
	Fo +( )MHz	Typ. dBc	dBc
Return Loss	Min. 12 dB	32 dB	
Ripple	< 1 dB	dB	
Impedance	In / Out : 50 Ω	In / Out : 50 Ω	
(4)Torque for Tuning Screw	> 60gf • cm		

### (5)Temperature Condition:

Operating Temperature	-30°C ~ +70°C
Storage Temperature	-30°C ~ +80°C

### (6)Input Power

	> 0.5Watt
--	-----------

Approval	Supervisor	Designer	Aperture size
C.Y.Chang	C.S.Chang	C.S.Chang	5R2S(3.8*4.2)

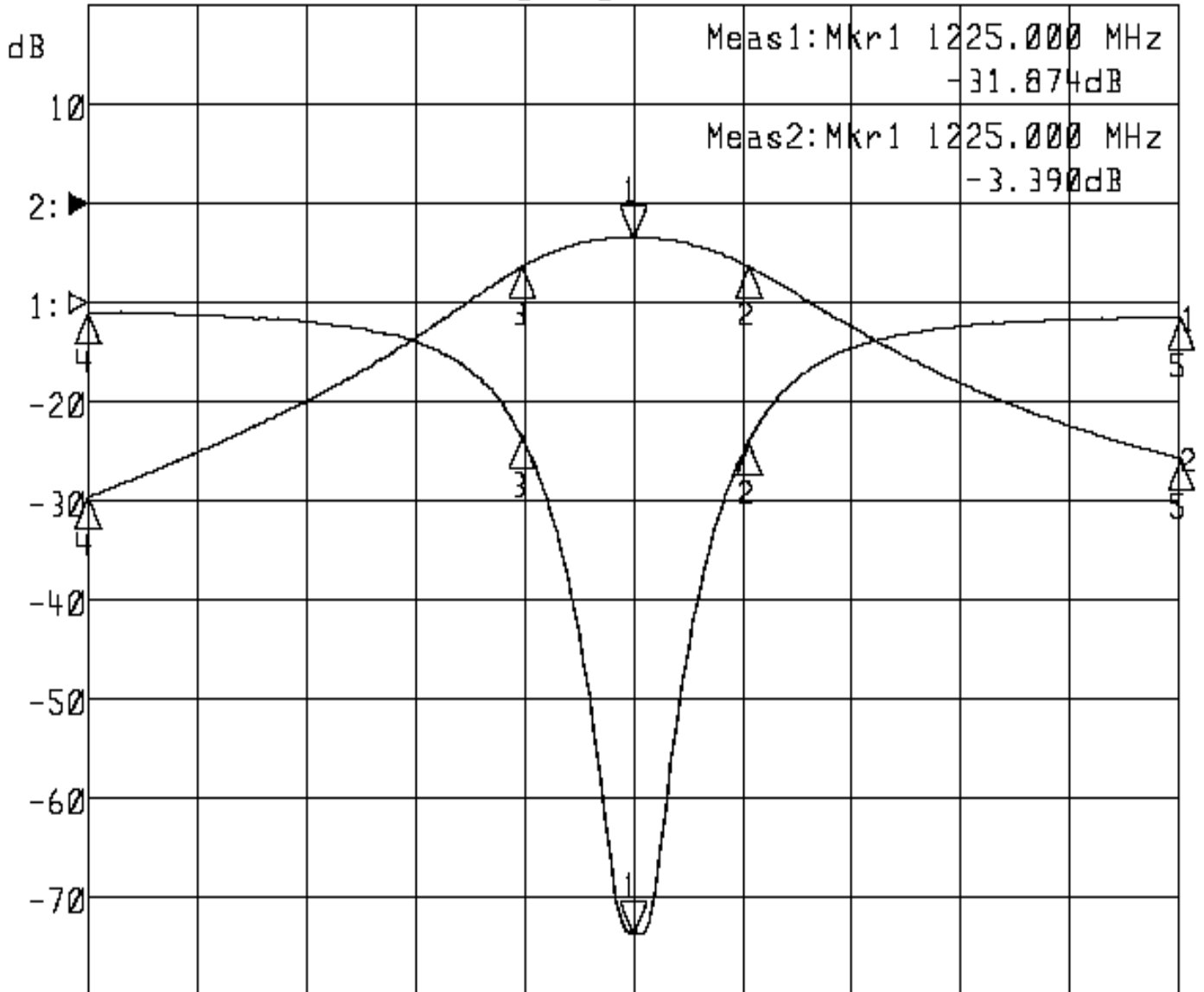
TEMWELL CORPORATION

# Performance-TDR2773B-1225M

## 20201118DC

▶1:S11 Refl Port1    Log Mag    5.0 dB/ Ref    0.00 dB    C

▶2:S21 Fwd Trans    Log Mag    10.0 dB/ Ref    0.00 dB    C



Meas1:Mkr1 1225.000 MHz  
-31.874dB

Meas2:Mkr1 1225.000 MHz  
-3.390dB

Center 1 225.000 MHz

Span 200.000 MHz

1:Mkr (MHz)	dB	2:Mkr (MHz)	dB
1> 1225.0000	-31.874	1> 1225.0000	-3.390
2: 1246.0667	-7.079	2: 1246.0667	-6.341
3: 1204.7333	-6.807	3: 1204.7333	-6.362
4: 1125.0000	-0.461	4: 1125.0000	-29.587
5: 1325.0000	-0.737	5: 1325.0000	-25.688