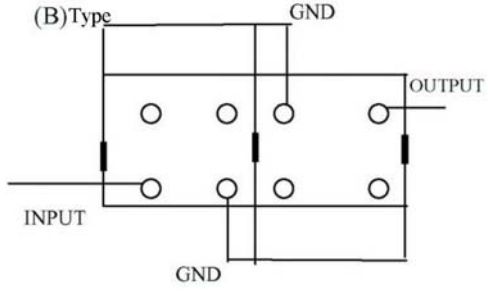
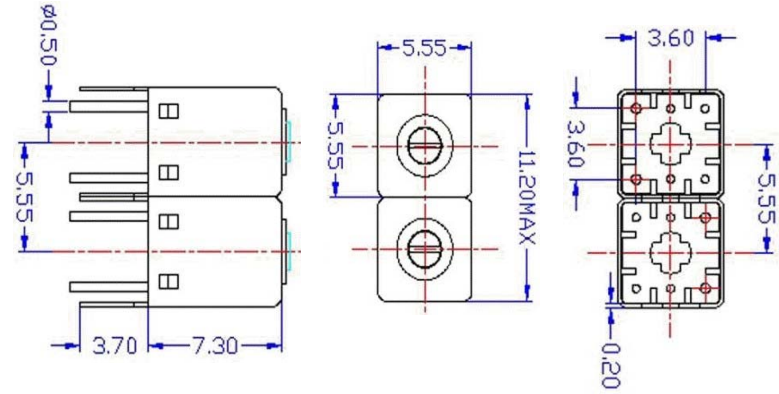


VHF UHF Helical Filter Specification Sheet

Customer Name		Temwell's Part No.	TDR2777B-1325M
Approval No. /dated	20202033DC	Acceptable Specify Fo. Range	1300~1350MHz
Work Instruction No.	20202033DC	Date	Jun.11.2002

(1)Pin Position	(2)Size Diagram
 <p>(Bottom View)</p>	

(3)Electric Character

Item	Specify	Performance	
Center Freq.(Fo) +/- 0.5 %	1325 MHz	1325 MHz	
Tunable Range:	1325±20 MHz	1325±20 MHz	
Insertion Loss	Typ. 4.0 dB	3.0 dB	
-3 dB Bandwidth	Typ. 27 MHz	40.3 MHz	
Sensitivity (Attenuation)	Fo - 105 MHz	Typ. 27 dBc	30 dBc
	Fo + 100 MHz	Typ. 22 dBc	25 dBc
	Fo - ()MHz	Typ. dBc	dBc
	Fo +()MHz	Typ. dBc	dBc
Return Loss	Min. 12 dB	22 dB	
Ripple	< 1 dB	dB	
Impedance	In / Out : 50 Ω	In / Out : 50 Ω	
(4)Torque for Tuning Screw	> 60gf • cm		

(5)Temperature Condition:

Operating Temperature	-30°C ~ +70°C
Storage Temperature	-30°C ~ +80°C

(6)Input Power

	> 0.5Watt
--	-----------

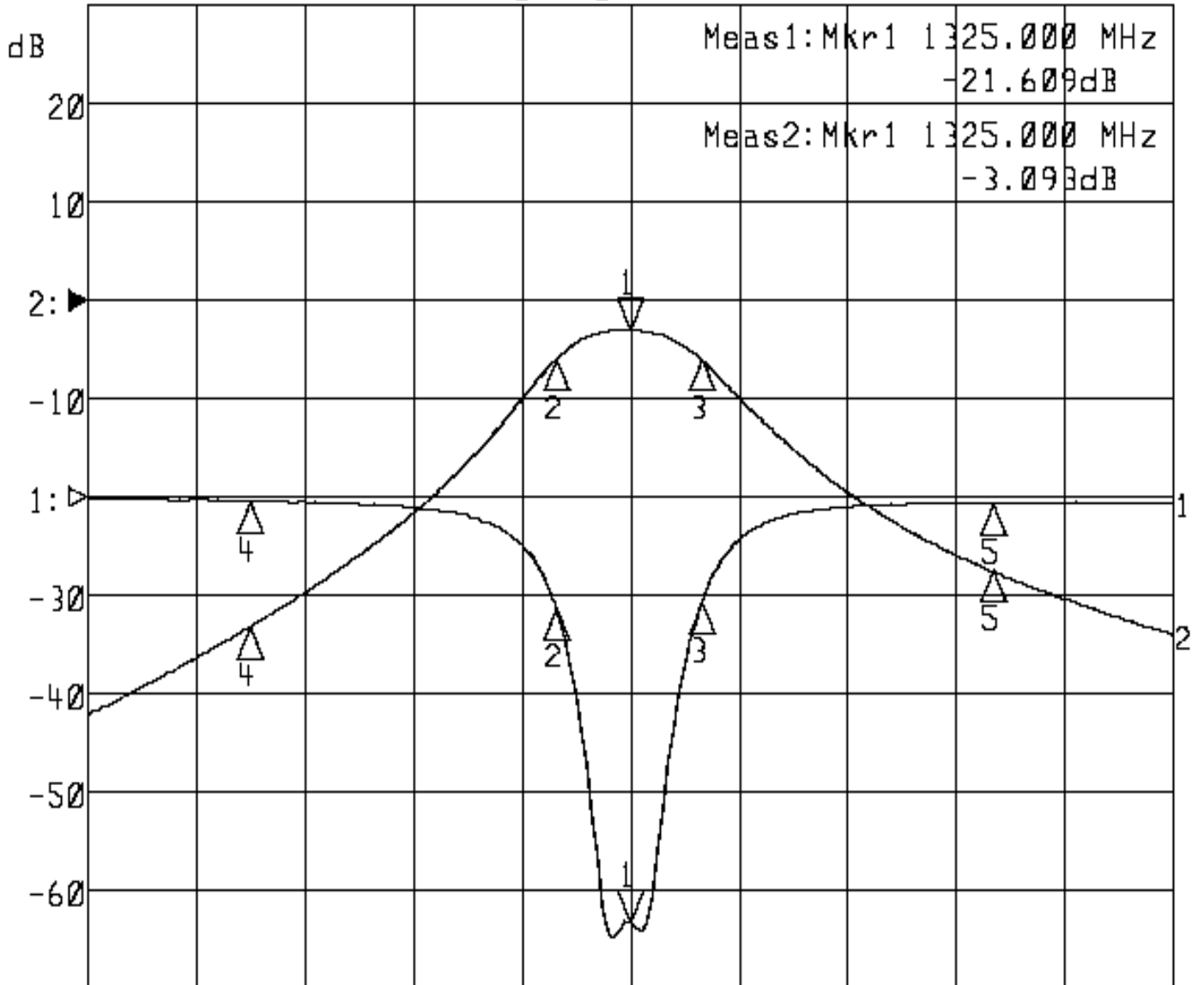
Approval	Supervisor	Designer	Aperture size
C.Y.Chang	C.S.Chang	C.S.Chang	5R2S(3.8*4.7)

TEMWELL CORPORATION

Performance-TDR2777B-1325M

20202033DC

▶1: S11 Refl Port1 Log Mag 5.0 dB/ Ref 0.00 dB C
 ▶2: S21 Fwd Trans Log Mag 10.0 dB/ Ref 0.00 dB C



Meas1: Mkr1 1325.000 MHz
 -21.609dB
 Meas2: Mkr1 1325.000 MHz
 -3.093dB

Center 1 325.000 MHz

Span 300.000 MHz

1: Mkr (MHz)	dB	2: Mkr (MHz)	dB
1> 1325.0000	-21.609	1> 1325.0000	-3.093
2: 1304.4000	-5.591	2: 1304.4000	-6.039
3: 1344.7000	-5.346	3: 1344.7000	-6.043
4: 1220.0000	-0.219	4: 1220.0000	-33.213
5: 1425.0000	-0.317	5: 1425.0000	-27.562