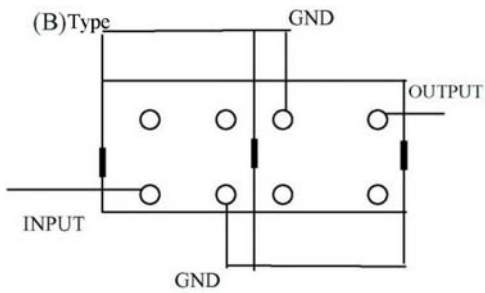
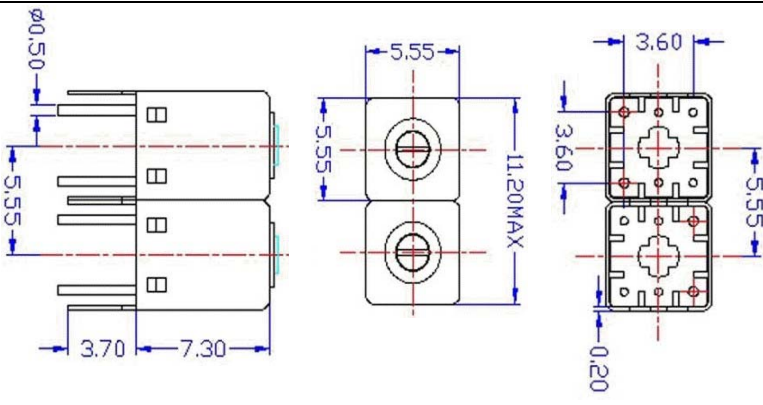


VHF UHF Helical Filter Specification Sheet

Customer Name		Temwell's Part No.	TDR2799B-1225M
Approval No. /dated	20204007DC	Acceptable Specify Fo. Range	1200~1250MHz
Work Instruction No.	20204007DC	Date	Apr.16.2002

(1)Pin Position	(2)Size Diagram
 <p>(Bottom View)</p>	

(3)Electric Character

Item	Specify	Performance	
Center Freq.(Fo) +/- 0.5 %	1225 MHz	1225 MHz	
Tunable Range:	1225±10 MHz	1225±10 MHz	
Insertion Loss	Typ. 2.5 dB	1.8 dB	
-3 dB Bandwidth	Typ. 42 MHz	53.7 MHz	
Sensitivity (Attenuation)	Fo - 100 MHz	Typ. 20 dBc	23 dBc
	Fo + 100 MHz	Typ. 17 dBc	20 dBc
	Fo - ()MHz	Typ. dBc	dBc
	Fo +()MHz	Typ. dBc	dBc
Return Loss	Min. 12 dB	24 dB	
Ripple	< 1 dB	dB	
Impedance	In / Out : 50 Ω	In / Out : 50 Ω	

(4)Torque for Tuning Screw	> 60gf • cm
----------------------------	-------------

(5)Temperature Condition:

Operating Temperature	-30°C ~ +70°C
Storage Temperature	-30°C ~ +80°C

(6)Input Power	> 0.5Watt
----------------	-----------

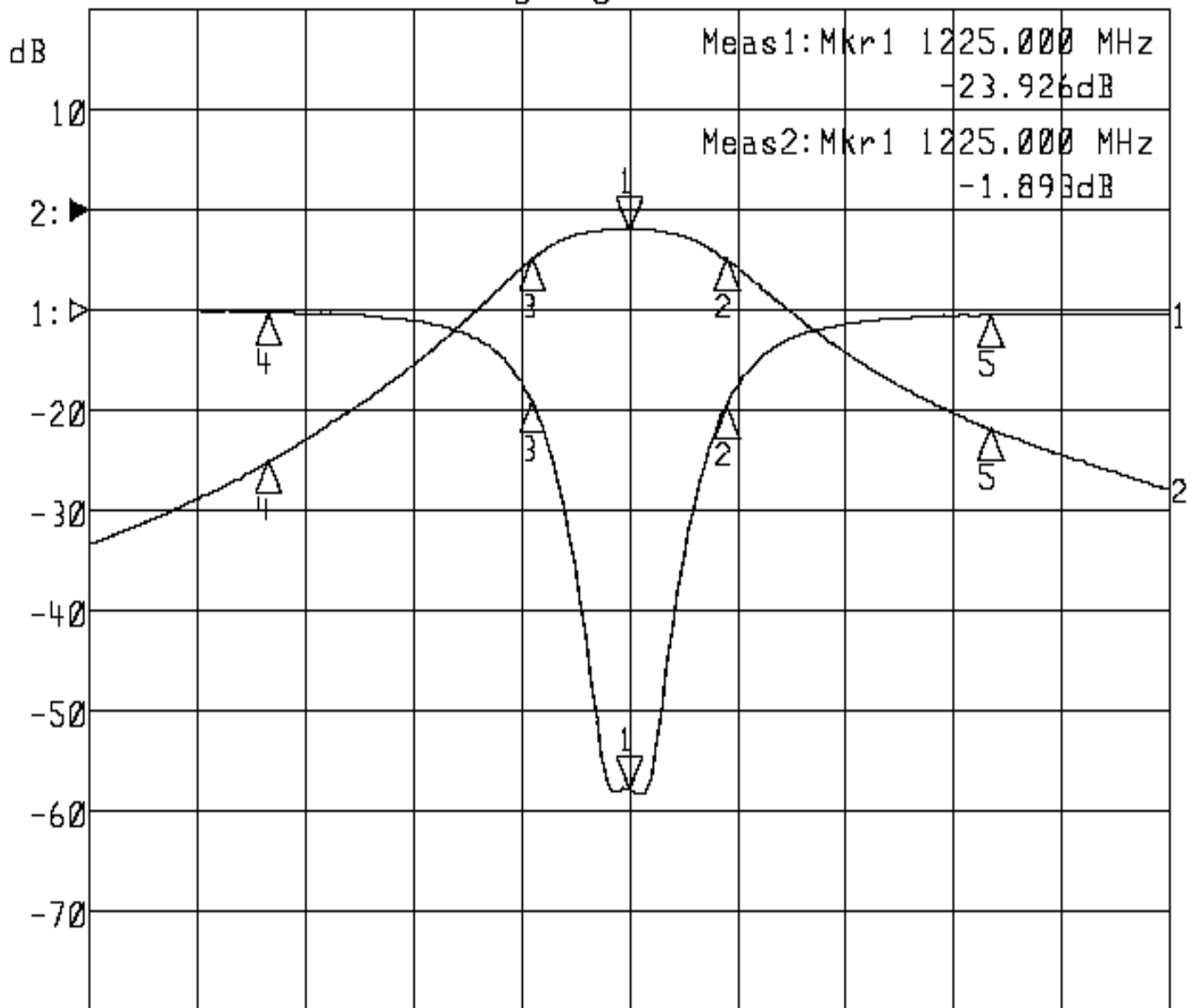
Approval	Supervisor	Designer	Aperture size
C.Y.Chang	C.S.Chang	C.S.Chang	5R2S(3.8*4.7)

TEMWELL CORPORATION

Performance-TDR2799B-1225M

20204007DC

►1:S11 Refl Port1 Log Mag 5.0 dB/ Ref 0.00 dB C
►2:S21 Fwd Trans Log Mag 10.0 dB/ Ref 0.00 dB C



Center 1 225.000 MHz

Span 300.000 MHz

1:Mkr (MHz)	dB	2:Mkr (MHz)	dB
1> 1225.0000	-23.926	1> 1225.0000	-1.893
2: 1251.8000	-4.805	2: 1251.8000	-4.851
3: 1198.1000	-4.544	3: 1198.1000	-4.849
4: 1125.0000	-0.101	4: 1125.0000	-25.106
5: 1325.0000	-0.262	5: 1325.0000	-21.822