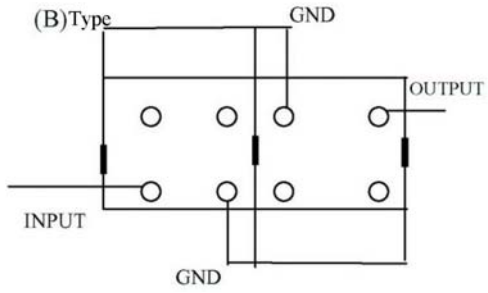
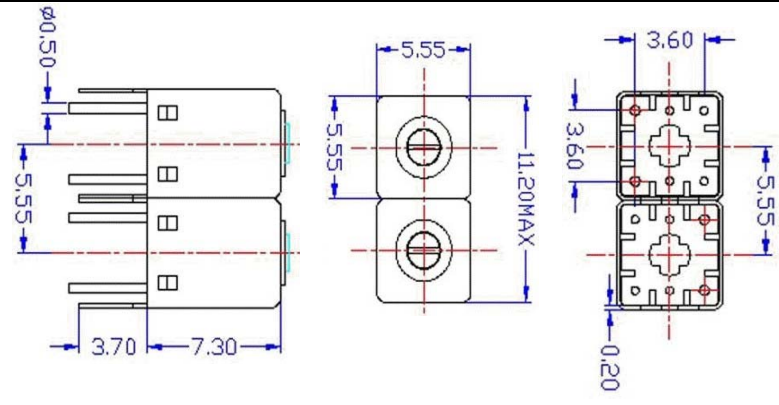


VHF UHF Helical Filter Specification Sheet

Customer Name		Temwell's Part No.	TDR2809B-1375M
Approval No. /dated	20204013DC	Acceptable Specify Fo. Range	1350~1400MHz
Work Instruction No.	20204013DC	Date	Apr.18.2002

<p>(1)Pin Position</p>  <p style="text-align: center;">(Bottom View)</p>	<p>(2)Size Diagram</p> 
---	---

(3)Electric Character

Item	Specify	Performance
Center Freq.(Fo) +/- 0.5 %	1375 MHz	1375 MHz
Tunable Range:	1375±20 MHz	1375±20 MHz
Insertion Loss	Typ. 3.5 dB	2.8 dB
-3 dB Bandwidth	Typ. 28 MHz	42.0 MHz
Sensitivity (Attenuation)	Fo - 100 MHz	Typ. 22 dBc
	Fo + 100 MHz	Typ. 19 dBc
	Fo - ()MHz	Typ. dBc
	Fo +()MHz	Typ. dBc
Return Loss	Min. 12 dB	15 dB
Ripple	< 1 dB	
Impedance	In / Out : 50 Ω	In / Out : 50 Ω

(4)Torque for Tuning Screw > 60gf • cm

(5)Temperature Condition:

Operating Temperature	-30°C ~ +70°C
Storage Temperature	-30°C ~ +80°C

(6)Input Power > 0.5Watt

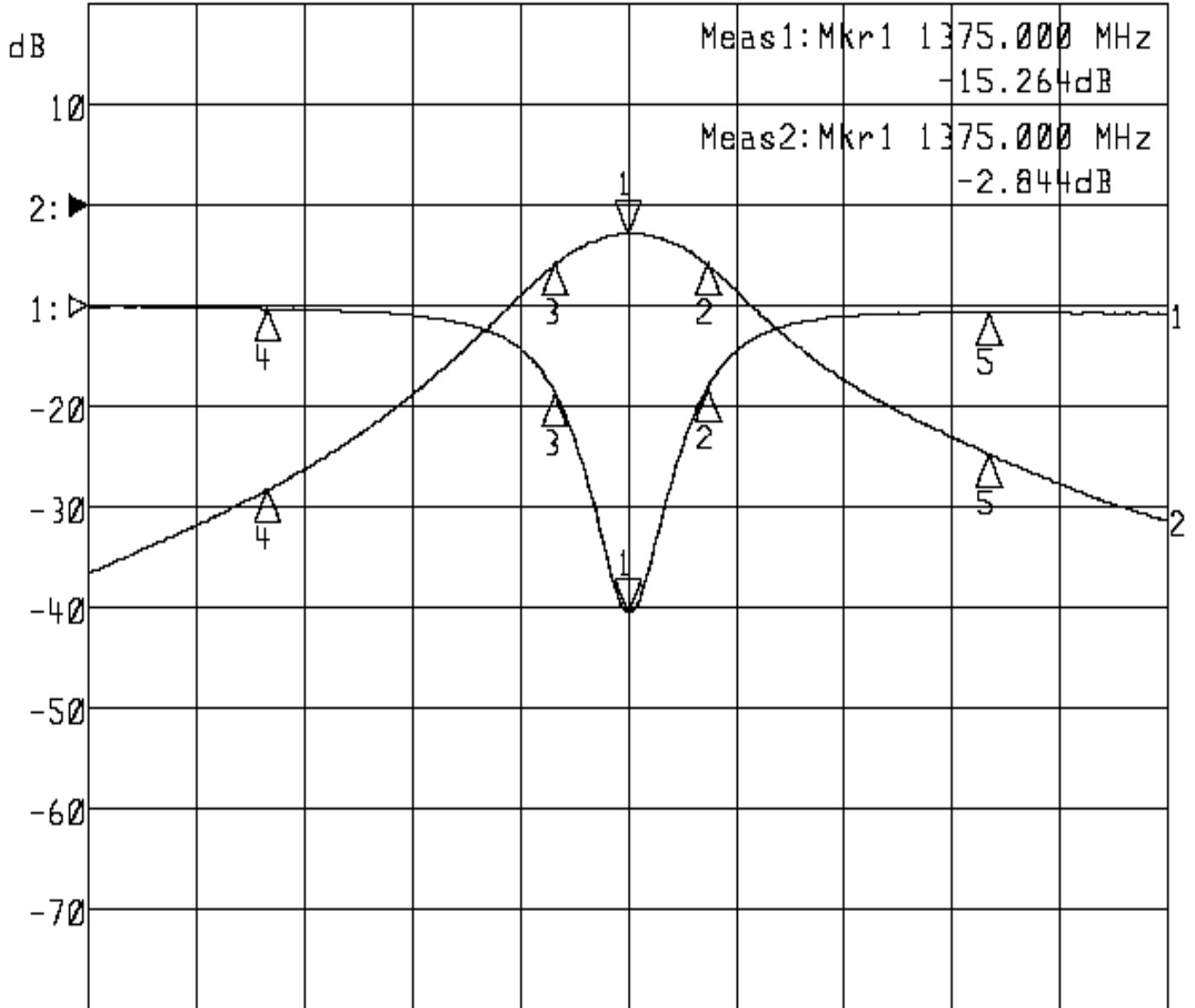
Approval	Supervisor	Designer	Aperture size
C.Y.Chang	C.S.Chang	C.S.Chang	5R2S(3.8*4.7)

TEMWELL CORPORATION

Performance-TDR2809B-1375M

20204013DC

▶1: S11 Refl Port1 Log Mag 5.0 dB/ Ref 0.00 dB C
 ▶2: S21 Fwd Trans Log Mag 10.0 dB/ Ref 0.00 dB C



Center 1 375.000 MHz

Span 300.000 MHz

1: Mkr (MHz)	dB	2: Mkr (MHz)	dB
1> 1375.0000	-15.264	1> 1375.0000	-2.844
2: 1396.9000	-4.120	2: 1396.9000	-5.823
3: 1354.9000	-4.339	3: 1354.9000	-5.849
4: 1275.0000	-0.174	4: 1275.0000	-28.292
5: 1475.0000	-0.341	5: 1475.0000	-24.668