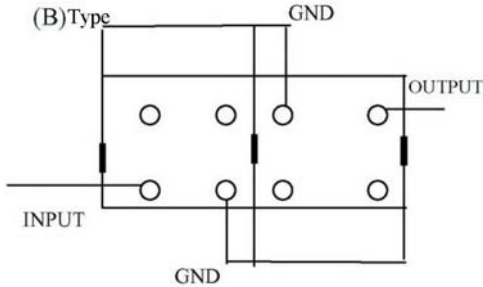
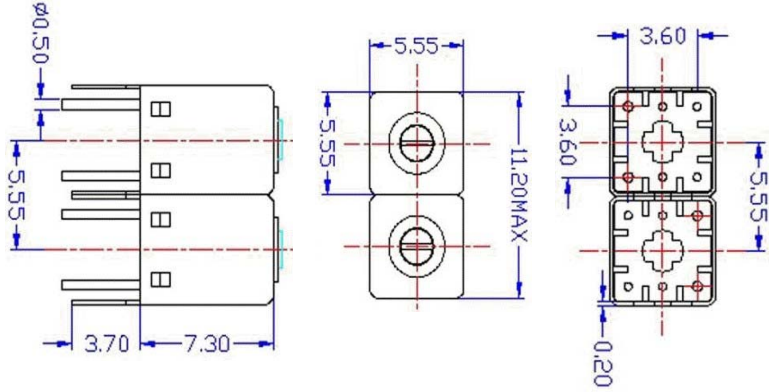


VHF UHF Helical Filter Specification Sheet

Customer Name		Temwell's Part No.	TDR2813B-1475M
Approval No. /dated	20204017DC	Acceptable Specify Fo. Range	1450~1500MHz
Work Instruction No.	20204017DC	Date	Apr.18.2002

<p>(1) Pin Position</p>  <p style="text-align: center;">(Bottom View)</p>	<p>(2) Size Diagram</p> 
--	--

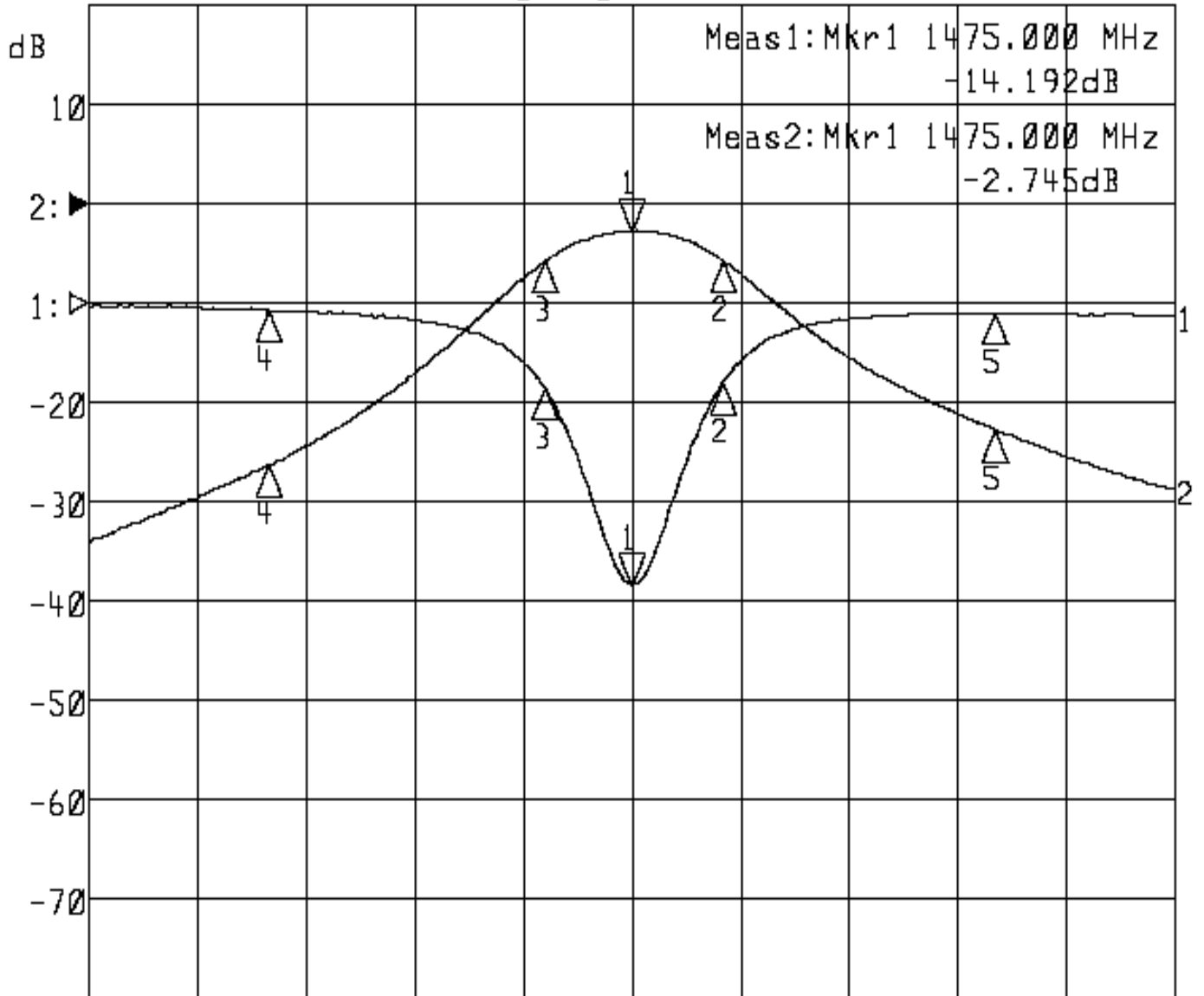
(3) Electric Character			
Item		Specify	Performance
Center Freq.(Fo) +/- 0.5 %		1475 MHz	1475 MHz
Tunable Range:		1475±10 MHz	1475±10 MHz
Insertion Loss		Typ. 3.5 dB	2.7 dB
-3 dB Bandwidth		Typ. 35 MHz	49.2 MHz
Sensitivity (Attenuation)	Fo - 100 MHz	Typ. 21 dBc	24 dBc
	Fo + 100 MHz	Typ. 17 dBc	20 dBc
	Fo - ()MHz	Typ. dBc	dBc
	Fo +()MHz	Typ. dBc	dBc
Return Loss		Min. 12 dB	14 dB
Ripple		< 1 dB	dB
Impedance		In / Out : 50 Ω	In / Out : 50 Ω
(4) Torque for Tuning Screw		> 60gf • cm	
(5) Temperature Condition:			
Operating Temperature		-30°C ~ +70°C	
Storage Temperature		-30°C ~ +80°C	
(6) Input Power		> 0.5Watt	
Approval	Supervisor	Designer	Aperture size
C.Y.Chang	C.S.Chang	C.S.Chang	5R2S(3.8*4.7)

TEMWELL CORPORATION

Performance-TDR2813B-1475M

20204017DC

▶1: S11 Refl Port1 Log Mag 5.0 dB/ Ref 0.00 dB C
 ▶2: S21 Fwd Trans Log Mag 10.0 dB/ Ref 0.00 dB C



Center 1 475.000 MHz

Span 300.000 MHz

1: Mkr (MHz)	dB	2: Mkr (MHz)	dB
1> 1475.0000	-14.192	1> 1475.0000	-2.745
2: 1500.2000	-3.999	2: 1500.2000	-5.719
3: 1451.0000	-4.258	3: 1451.0000	-5.778
4: 1375.0000	-0.375	4: 1375.0000	-26.282
5: 1575.0000	-0.536	5: 1575.0000	-22.658