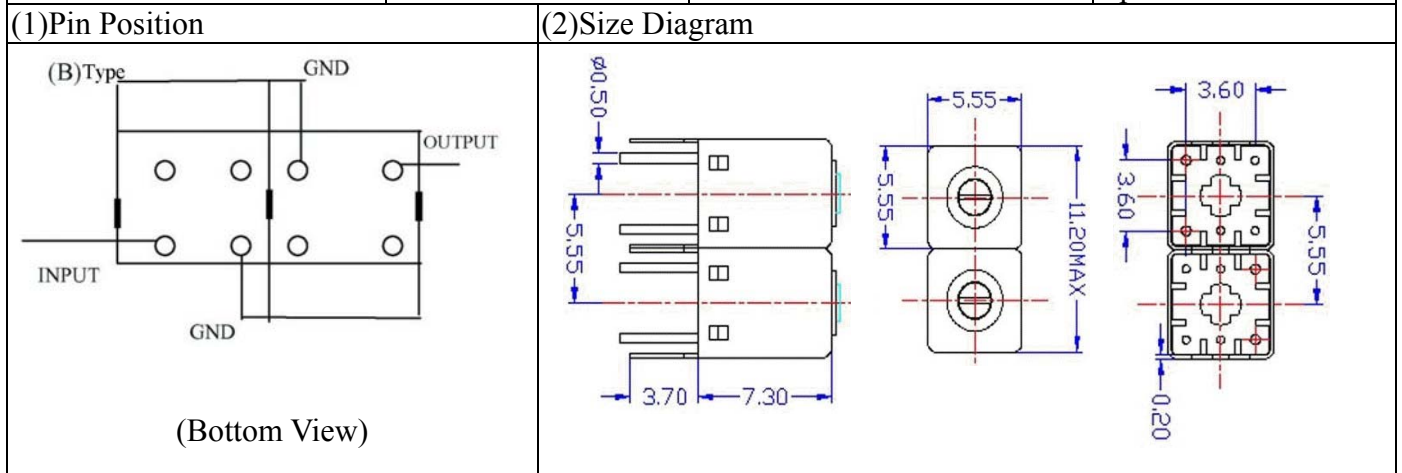


VHF UHF Helical Filter Specification Sheet

| | | | |
|----------------------|-------------|-----------------------|---------------|
| Customer Name | | Temwell's Part No. | TDR2908B-590M |
| Approval No. /dated | | Temwell's print name. | |
| Work Instruction No. | 201104114CD | Date | Apr.28.2011 |



(3) Electric Characteristic

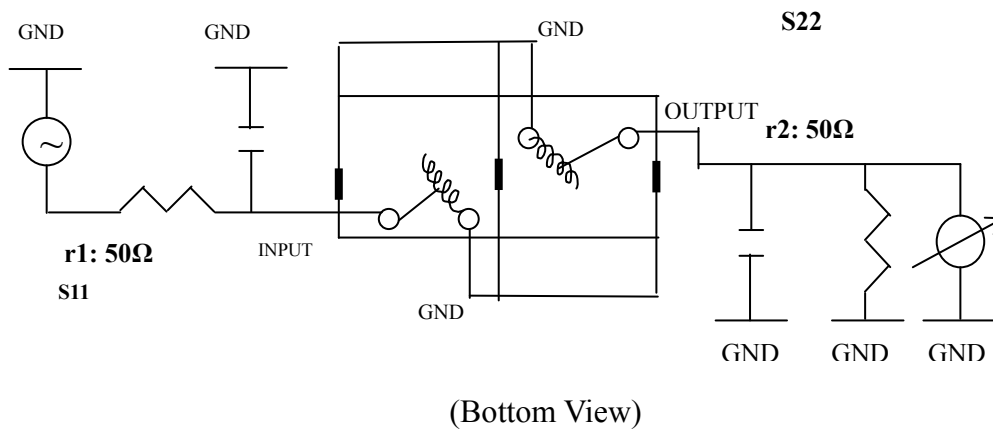
| Item | Specify | Performance | |
|-------------------------------|-----------------|-----------------|--------|
| Center Freq.(Fo) +/- 0.5 % | 590 MHz | 590 MHz | |
| Insertion Loss | Typ. 3.0 dB | 2.38 dB | |
| -3 dB Bandwidth | Typ. 14 MHz | 19.9 MHz | |
| Sensitivity (Attenuation) | Fo - 50 MHz | Typ. 20 dBc | 31 dBc |
| | Fo + 50 MHz | Typ. 16 dBc | 24 dBc |
| | Fo - ()MHz | Typ. dBc | dBc |
| | Fo +()MHz | Typ. dBc | dBc |
| Return Loss | Min. 12 dB | 31.7 dB | |
| Ripple | < 1 dB | dB | |
| Impedance | In / Out : 50 Ω | In / Out : 50 Ω | |
| (4) Torque for Tuning Screw | > 60gf • cm | | |

(5) Temperature Condition:

| | |
|-----------------------|---------------|
| Operating Temperature | 0°C ~ +60°C |
| Storage Temperature | -20°C ~ +70°C |

(6) Input Power >0.5Watt

(7) Measuring Circuit: ※Easy to match Impedance 50Ω by parallel with about ().



| | | | |
|-----------|------------|------------|---------------------------------|
| Approval | Supervisor | Designer | Aperture size |
| C.Y.Chang | C.K.Chang | P.H.Chiang | 5R2(3.8*3.7)(3.75) 5HW024RB3 |

TEMWELL CORPORATION

Performance-TDR2908B-590M

201104114CD

