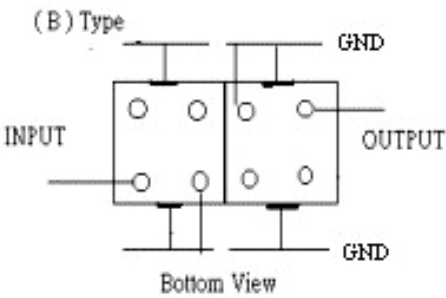
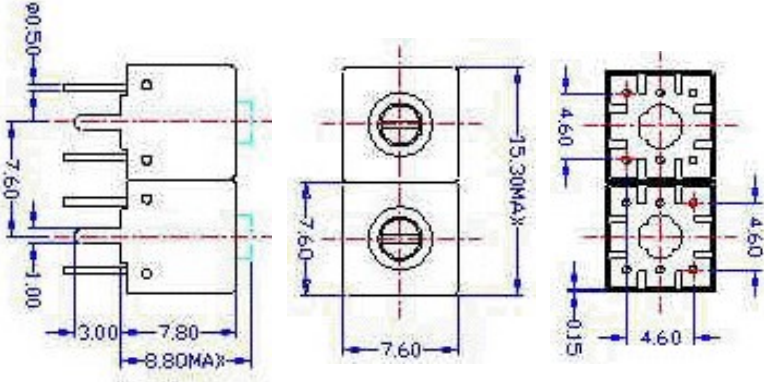


# VHF UHF Helical Filter Specification Sheet

Customer Name		Temwell's Part No.	TDS2074B-485M
Approval No. /dated	20108042B	Acceptable Specify Fo. Range	456~515MHz
Work Instruction No.	20108042B	Date	2001.09.04

<p>(1)Pin Position</p>  <p style="text-align: center;">Bottom View</p>	<p>(2)Size Diagram</p> 
---	---

(3)Electric Character

Item	Specify	Performance
Center Freq.(Fo ) +/- 0.5 %	485 MHz	485 MHz
Tunable Range	485±5 MHz	485±5 MHz
Insertion Loss	Typ. 3.0 dB	2.2 dB
-3 dB Bandwidth	Typ. 17 MHz	22 MHz
Sensitivity (Attenuation)	Fo - 50 MHz	Typ. 25 dBc
	Fo + 50 MHz	Typ. 20 dBc
	Fo - ( )MHz	Typ. dBc
	Fo +( )MHz	Typ. dBc
Return Loss	Min. 12 dB	16 dB
Ripple	< 1 dB	dB
Impedance	In / Out : 50 Ω	In / Out : 50 Ω

(4)Torque for Tuning Screw > 100gf • cm

(5)Temperature Condition:

Operating Temperature	0°C ~ +60°C
Storage Temperature	-20°C ~ +70°C

(6)Input Power > 1Watt

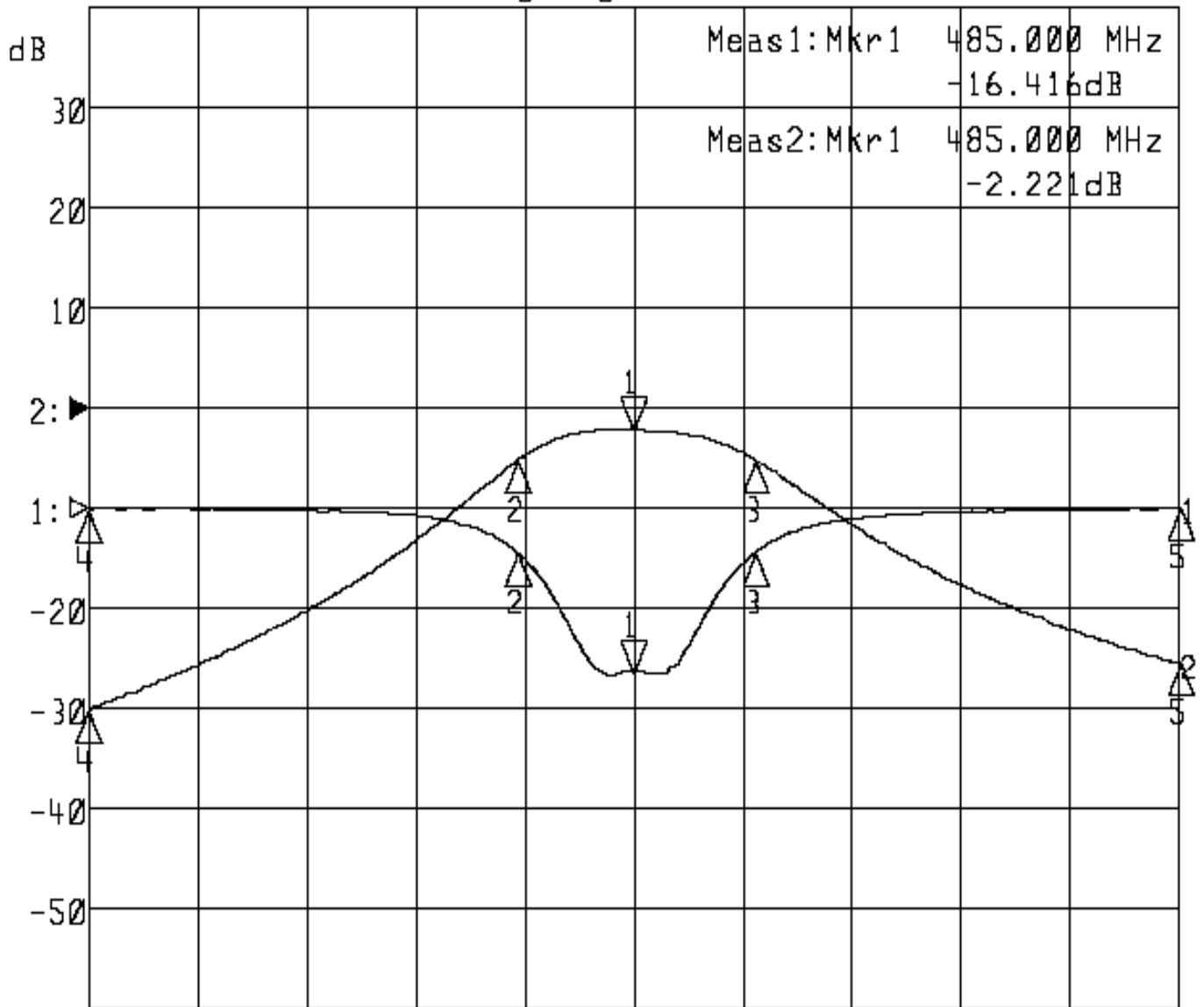
Approval	Supervisor	Designer	Aperture size
C.Y.Chang	C.S.Chang	C.S.Chang	7S2S(4*3.5) 7S024RB5.5

TEMWELL CORPORATION

# Performance-TDS2074B-485M

## 20108042B

▶1: S11 Refl Port1 Log Mag 10.0 dB/ Ref 0.00 dB C  
 ▶2: S21 Fwd Trans Log Mag 10.0 dB/ Ref 0.00 dB C



Center 485.000 MHz

Span 100.000 MHz

1:Mkr (MHz)	dB	2:Mkr (MHz)	dB
1> 485.0000	-16.416	1> 485.0000	-2.221
2: 474.4000	-4.455	2: 474.4000	-5.188
3: 496.1000	-4.456	3: 496.1000	-5.183
4: 435.0000	-0.206	4: 435.0000	-30.188
5: 535.0000	-0.081	5: 535.0000	-25.535