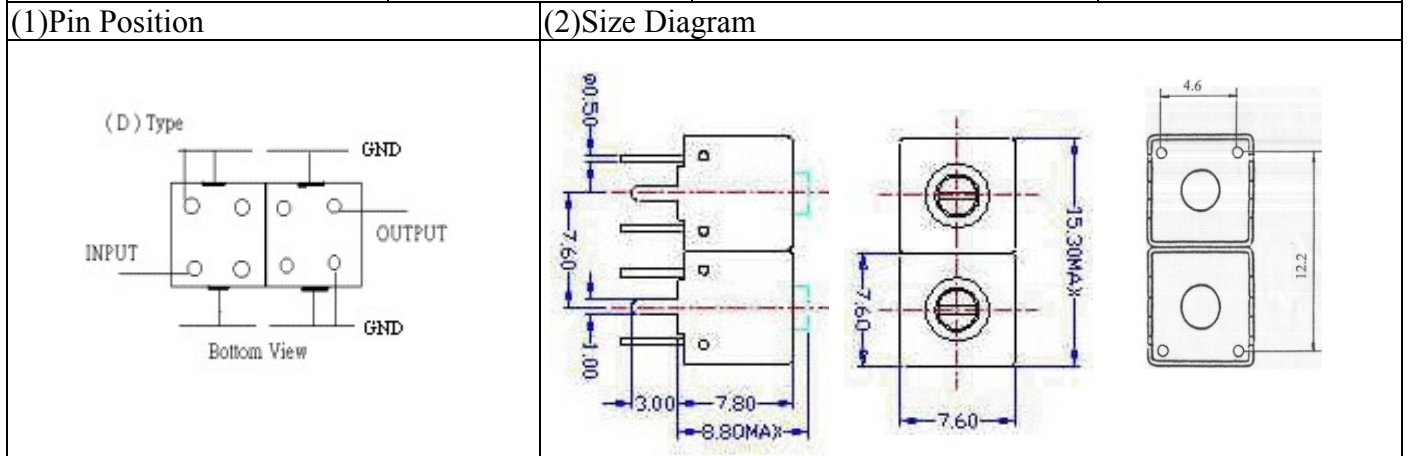


VHF UHF Helical Filter Specification Sheet

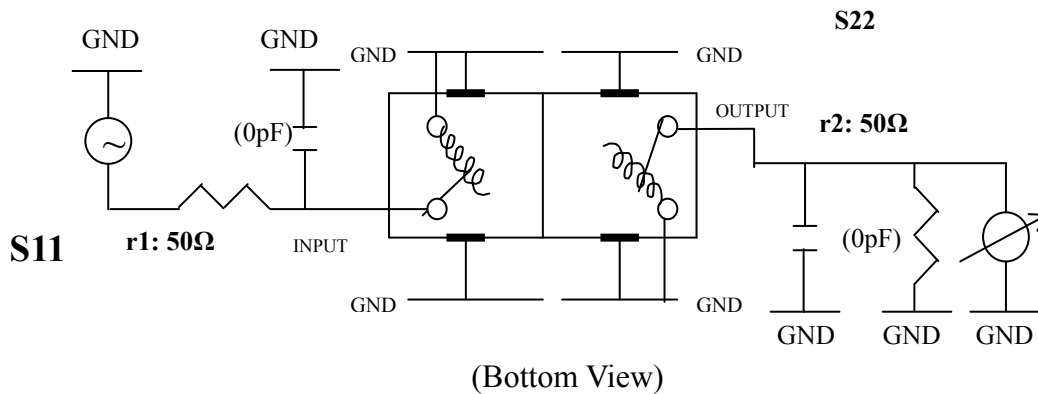
Customer Name		Temwell's Part No.	TDS2143D-740M
Approval No. /dated	0709064APR	Customer's Part No.	2143D 740M
Work Instruction No.	0709064C	Date	Feb.18.2008



(3) Electric Characteristic			
Item		Specify	Performance
Center Freq.(Fo) +/- 0.5 %		740 MHz	740 MHz
Tunable Range		740±5 MHz	740±5 MHz
Insertion Loss		Typ. 3.0 dB	2.63 dB
-3 dB Bandwidth		Typ. 16 MHz	20.8 MHz
Sensitivity (Attenuation)	Fo - 50 MHz	Typ. 25 dBc	26 dBc
	Fo + 50 MHz	Typ. 21 dBc	22 dBc
	Fo - (100) MHz	Typ. 38 dBc	40 dBc
	Fo +(100) MHz	Typ. 31 dBc	32 dBc
Return Loss		Min. 12 dB	28.0 dB
Ripple		< 1 dB	dB
Impedance		In / Out : 50 Ω	In / Out : 50 Ω
(4) Torque for Tuning Screw		>100gf · cm	

(5) Temperature Condition:	
Operating Temperature	0°C ~ +60°C
Storage Temperature	-20°C ~ +70°C
(6) Input Power	> 1Watt

(7) Measuring Circuit: ※Easy to match Impedance 50Ω/50Ω by parallel with about (0) pF.



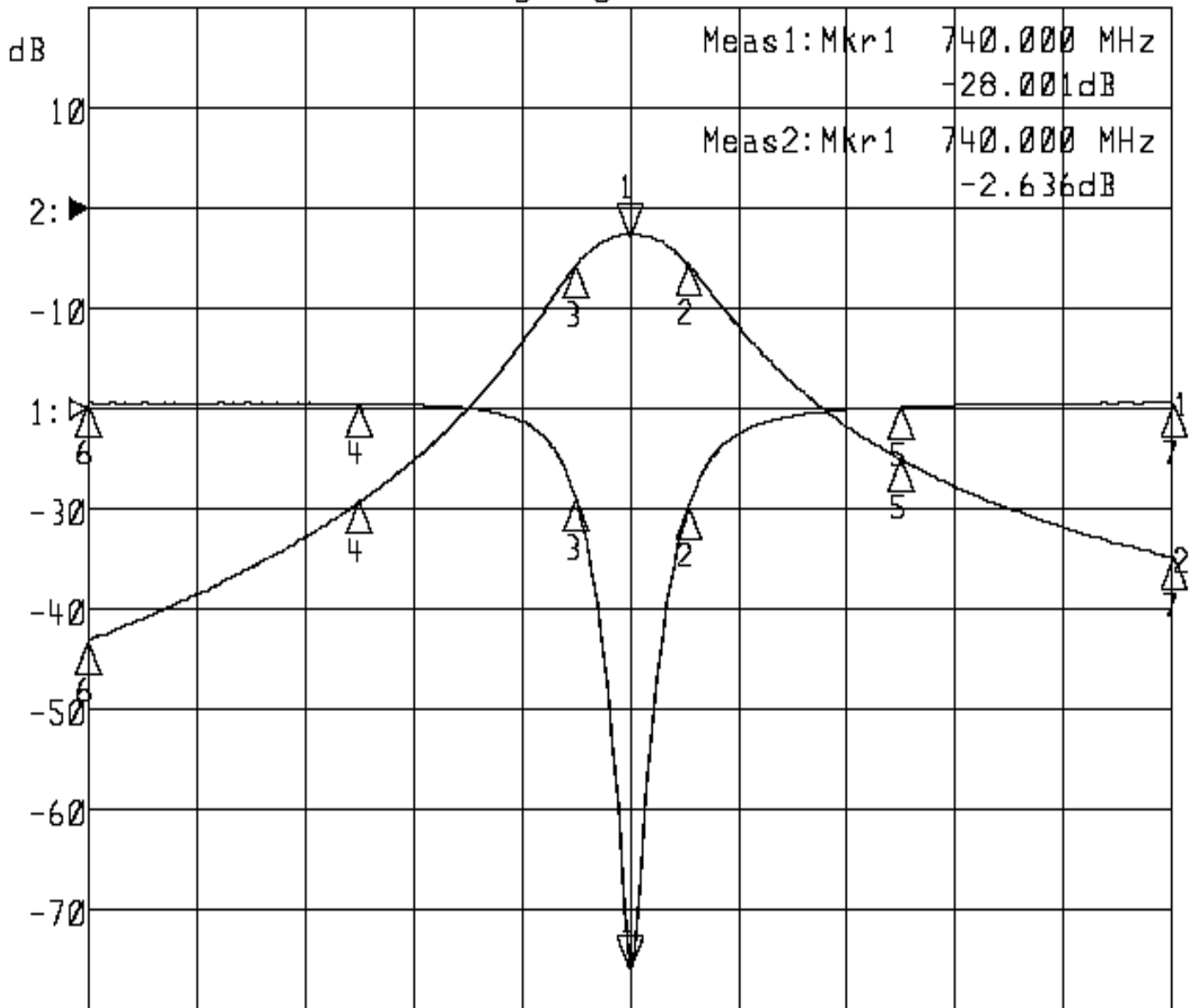
Approval C.Y.Chang	Supervisor C.S.Chang	Designer Y.H.Chuan	Aperture size 7S2(4*4.3)F*(4.0B) 7S046RB4
-----------------------	-------------------------	-----------------------	---

TEMWELL CORPORATION

Performance-TDS2143D-740M

0709064C

▶1:S11 Refl Port1 Log Mag 5.0 dB/ Ref 0.00 dB C
▶2:S21 Fwd Trans Log Mag 10.0 dB/ Ref 0.00 dB C



Center 740.000 MHz

Span 200.000 MHz

1:Mkr (MHz)	dB	2:Mkr (MHz)	dB
1> 740.0000	-28.001	1> 740.0000	-2.636
2: 750.8667	-4.921	2: 750.8667	-5.621
3: 730.0667	-4.451	3: 730.0667	-5.665
4: 690.0000	0.224	4: 690.0000	-29.342
5: 790.0000	0.088	5: 790.0000	-25.046
6: 640.0000	0.288	6: 640.0000	-43.127
7: 840.0000	0.282	7: 840.0000	-34.834