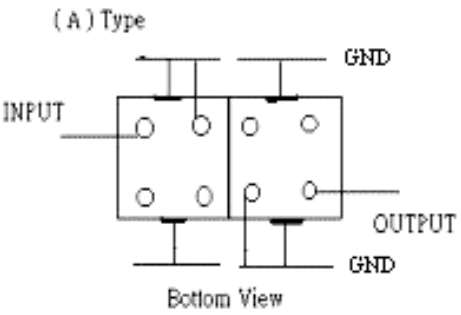
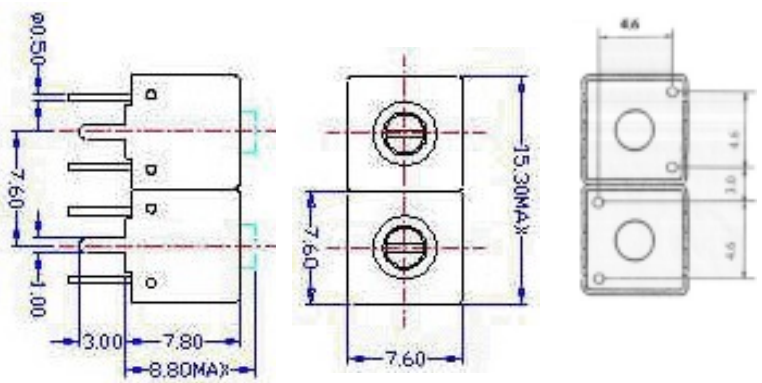


VHF UHF Helical Filter Specification Sheet

Customer Name		Temwell's Part No.	TDS2261A-1170M
Approval No. /dated	20104065DC	Acceptable Specify Fo. Range	1101~1180MHz
Work Instruction No.	20104065DC	Date	2001.4.20

(1)Pin Position	(2)Size Diagram
 <p>(A) Type Bottom View INPUT, OUTPUT, GND</p>	 <p>Dimensions: 15.30MAX, 7.60, 7.60, 8.80MAX, 7.80, 3.00, 1.00, 7.60, 1.50, 4.6, 9.1, 4.5</p>

(3)Electric Character

Item	Specify	Performance	
Center Freq.(Fo) +/- 0.5 %	1170 MHz	1170 MHz	
Tunable Range	1170±5 MHz	1170±5 MHz	
Insertion Loss	Typ. 3.0 dB	2.1 dB	
-3 dB Bandwidth	Typ. 29 MHz	35 MHz	
Sensitivity (Attenuation)	Fo - 100 MHz	Typ. 25 dBc	28 dBc
	Fo + 100 MHz	Typ. 23 dBc	26 dBc
	Fo - ()MHz	Typ. dBc	dBc
	Fo +()MHz	Typ. dBc	dBc
Return Loss	Min. 12 dB	17 dB	
Ripple	< 1 dB	dB	
Impedance	In / Out : 50 Ω	In / Out : 50 Ω	
(4)Torque for Tuning Screw	> 100gf cm		

(5)Temperature Condition:

Operating Temperature	0 ~ +60
Storage Temperature	-20 ~ +70

(6)Input Power

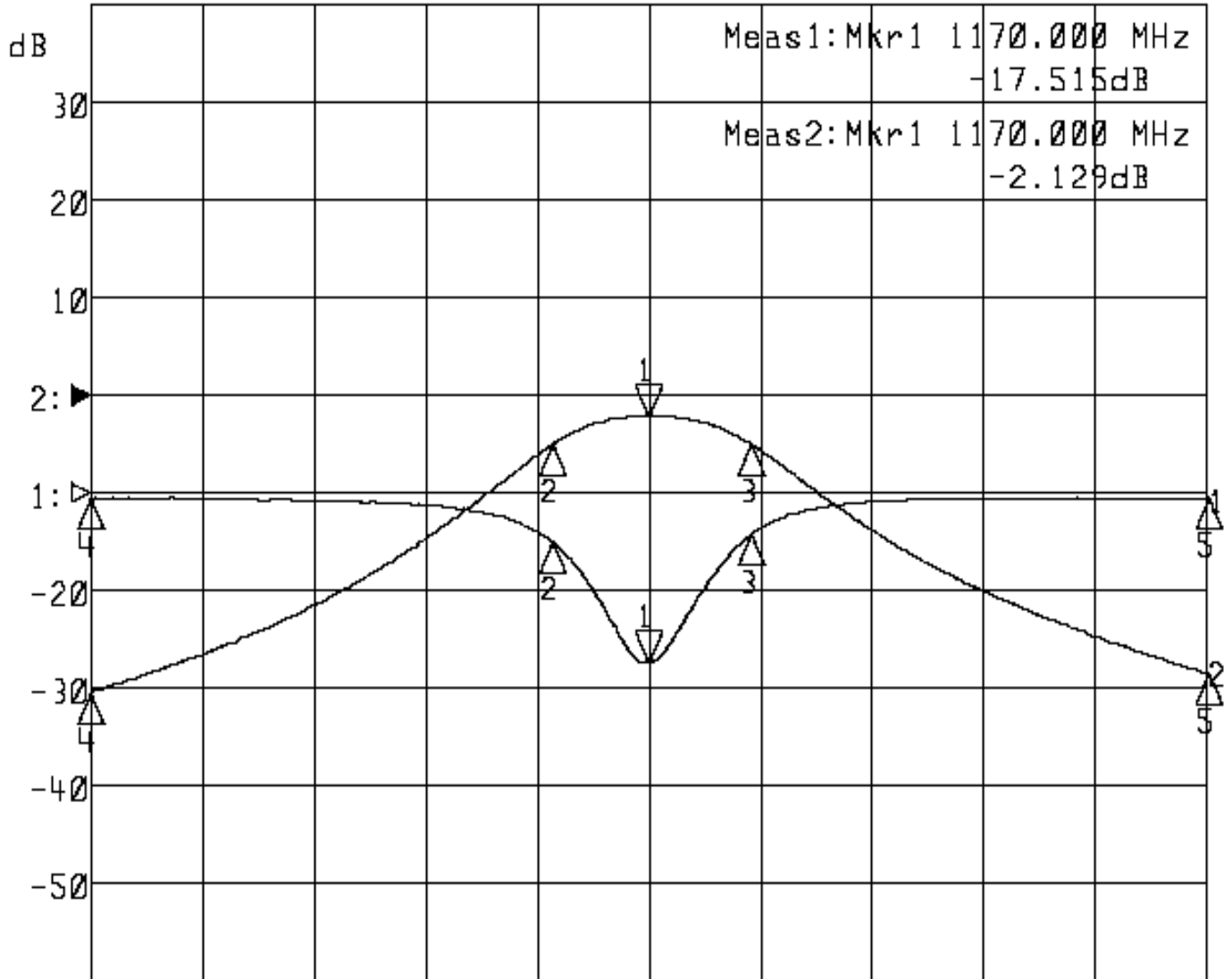
Approval	Supervisor	Designer	Aperture size
C.Y.Chang	C.S.Chang	C.S.Chang	7S2S(4*5.2) 7S046LB4

TEMWELL CORPORATION

Performance-TDS2261A-1170M

20104065DC

▶1: S11 Refl Port1 Log Mag 10.0 dB/ Ref 0.00 dB C
 ▶2: S21 Fwd Trans Log Mag 10.0 dB/ Ref 0.00 dB C



Meas1: Mkr1 1170.0000 MHz
 -17.515dB
 Meas2: Mkr1 1170.0000 MHz
 -2.129dB

Center 1 170.000 MHz

Span 200.000 MHz

1: Mkr (MHz)	dB	2: Mkr (MHz)	dB
1> 1170.0000	-17.515	1> 1170.0000	-2.129
2: 1152.7333	-4.993	2: 1152.7333	-5.013
3: 1188.5333	-4.201	3: 1188.5333	-5.072
4: 1070.0000	-0.588	4: 1070.0000	-30.406
5: 1270.0000	-0.621	5: 1270.0000	-28.473