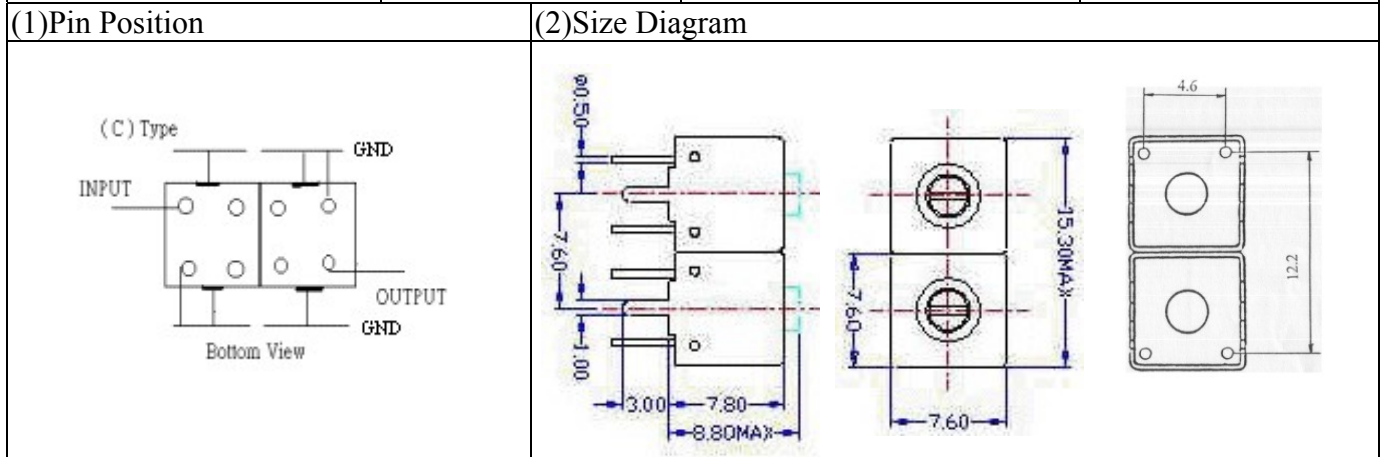


VHF UHF Helical Filter Specification Sheet

Customer Name		Temwell's Part No.	TDS2317C-940M
Approval No. /dated	0806098APR	Customer's Part No.	931~950M
Work Instruction No.	0806098CD	Date	Jun.30.2008



(3) Electric Characteristic

Item	Specify	Performance	
Center Freq.(Fo) +/- 0.5 %	940 MHz	940 MHz	
Tunable Range	940±10 MHz	940±10 MHz	
Insertion Loss	Type. 7.0 dB	6.37 dB	
-3 dB Bandwidth	Typ. 22 MHz	27 MHz	
Sensitivity (Attenuation)	Fo - 100 MHz	Typ. 35 dB	37 dB
	Fo + 100 MHz	Typ. 30 dB	32 dB
	Fo - ()MHz	Typ. dBc	dBc
	Fo +()MHz	Typ. dBc	dBc
Return Loss	Typ. 5 dB	5.9 dB	
Ripple	< 1 dB	dB	
Impedance	In / Out : 50 Ω	In / Out : 50 Ω	
(4) Torque for Tuning Screw	> 100gf · cm		

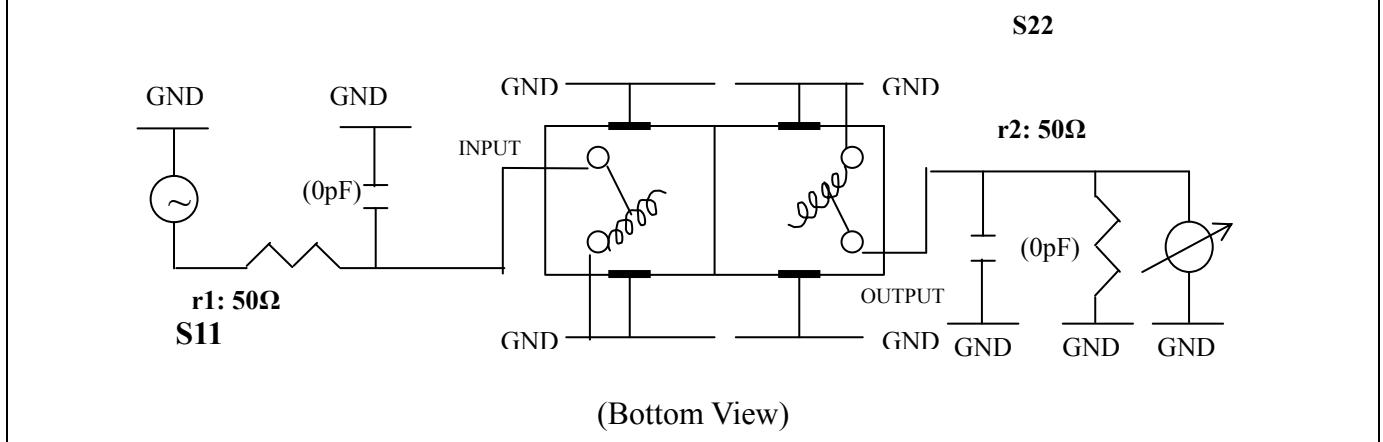
(5) Temperature Condition:

Operating Temperature	0°C ~ +60°C
Storage Temperature	-20°C ~ +70°C

(6) Input Power

	> 1 Watt
--	----------

(7) Measuring Circuit: ※Easy to match Impedance 50Ω by parallel with about (0) pF.



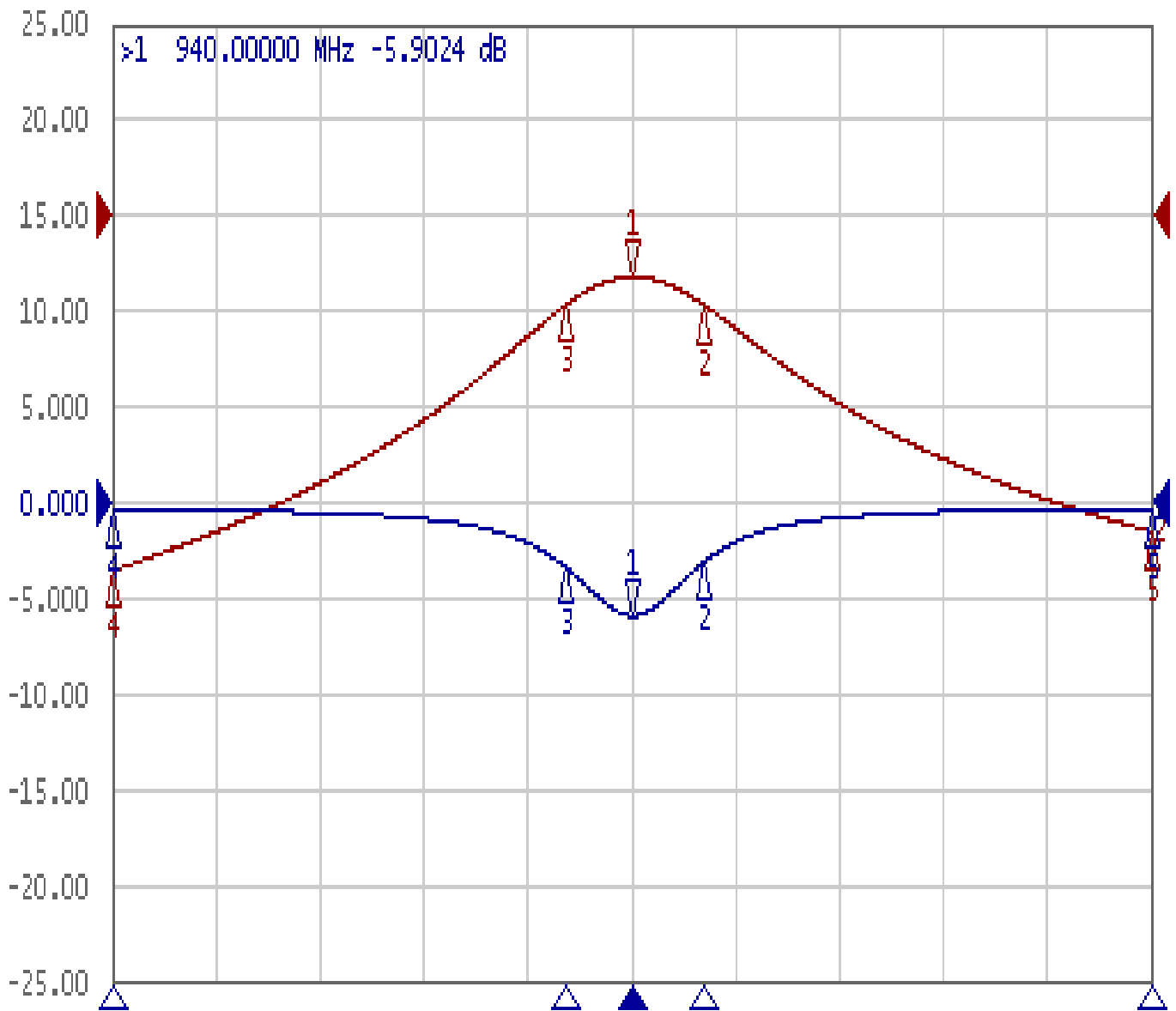
Approval	Supervisor	Designer	Aperture size
C.Y.Chang	C.S.Chang	C.S.Chang	7S2S(4*3.3) 7S024RB6

TEMWELL CORPORATION

Performance-TDS2317C-940M

0806098CD

▶ Tr1 S11 Log Mag 5.000dB/ Ref 0.000dB [F3]
Tr2 S21 Log Mag 10.00dB/ Ref 0.000dB [F3]



1 Center 940 MHz

IFBW 10 kHz

Span 200 MHz

Ch1	Tr1	S11	>1	940.00000 MHz	-5.9024 dB
Ch1	Tr1	S11	2	954.07125 MHz	-3.0647 dB
Ch1	Tr1	S11	3	927.25450 MHz	-3.3673 dB
Ch1	Tr1	S11	4	840.00000 MHz	-0.3531 dB
Ch1	Tr1	S11	5	1.0400000 GHz	-0.3316 dB
Ch1	Tr2	S21	1	940.00000 MHz	-6.3790 dB
Ch1	Tr2	S21	2	954.07125 MHz	-9.3881 dB
Ch1	Tr2	S21	3	927.25450 MHz	-9.3189 dB
Ch1	Tr2	S21	4	840.00000 MHz	-37.085 dB
Ch1	Tr2	S21	5	1.0400000 GHz	-32.974 dB