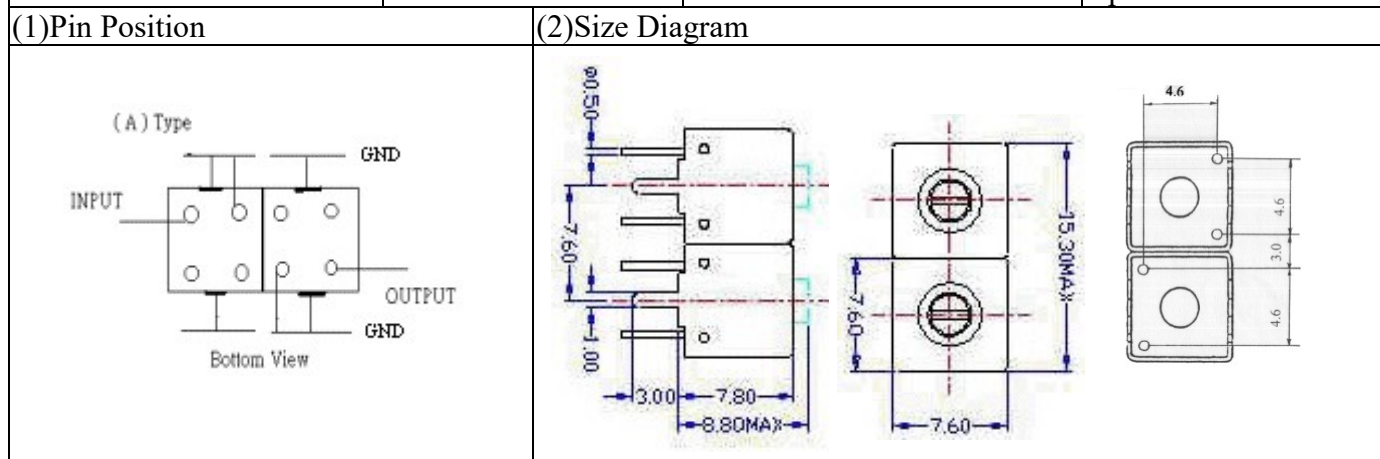


VHF UHF Helical Filter Specification Sheet

Customer Name		Temwell's Part No.	TDS2381A-480M
Approval No. /dated	202102022CD	Customer's Part No.	2381A 480M
Work Instruction No.	202102022CD	Date	Apr.26.2021



(3)Electric Characteristic

Item	Specify	Performance	
Center Freq.(Fo) +/- 0.5 %	480 MHz	480 MHz	
Insertion Loss	Typ. 8.0 dB	7.00 dB	
-3 dB Bandwidth	Typ. 2.5 MHz	6.4 MHz	
Sensitivity (Attenuation)	Fo - 50 MHz	Typ. 42 dBc	47 dBc
	Fo +50 MHz	Typ. 38 dBc	43 dBc
	Fo - ()MHz	Typ. dBc	dBc
	Fo +()MHz	Typ. dBc	dBc
Return Loss	Min. 12 dB	25.0 dB	
Ripple	< 1 dB	dB	
Impedance	In / Out : 50 Ω	In / Out : 50 Ω	

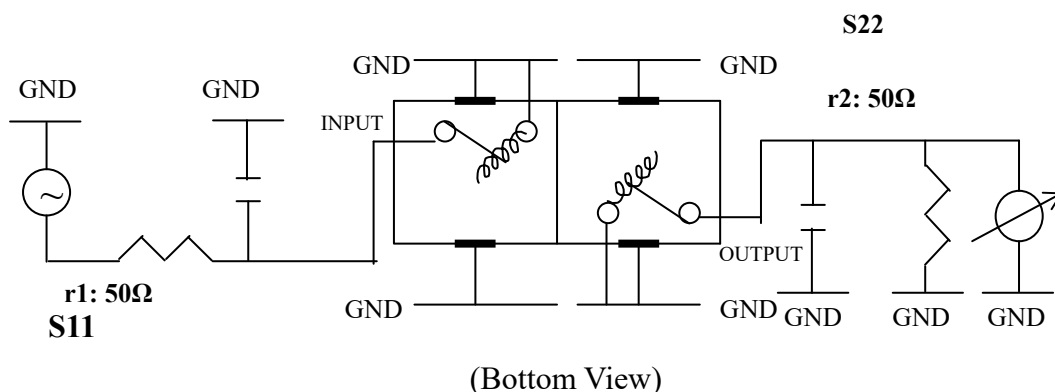
(4)Torque for Tuning Screw > 60gf · cm

(5)Temperature Condition:

Operating Temperature	0°C ~ +60°C
Storage Temperature	-20°C ~ +70°C

(6)Input Power > 0.5Watt

(7)Measuring Circuit: ※Easy to match Impedance 50Ω by parallel with about (- -)



Approval	Supervisor	Designer	Aperture size
C.C.Chang	C.K.Chang	W.H.Wang	7S2S-4*3.3(3.33) 7S024LB5

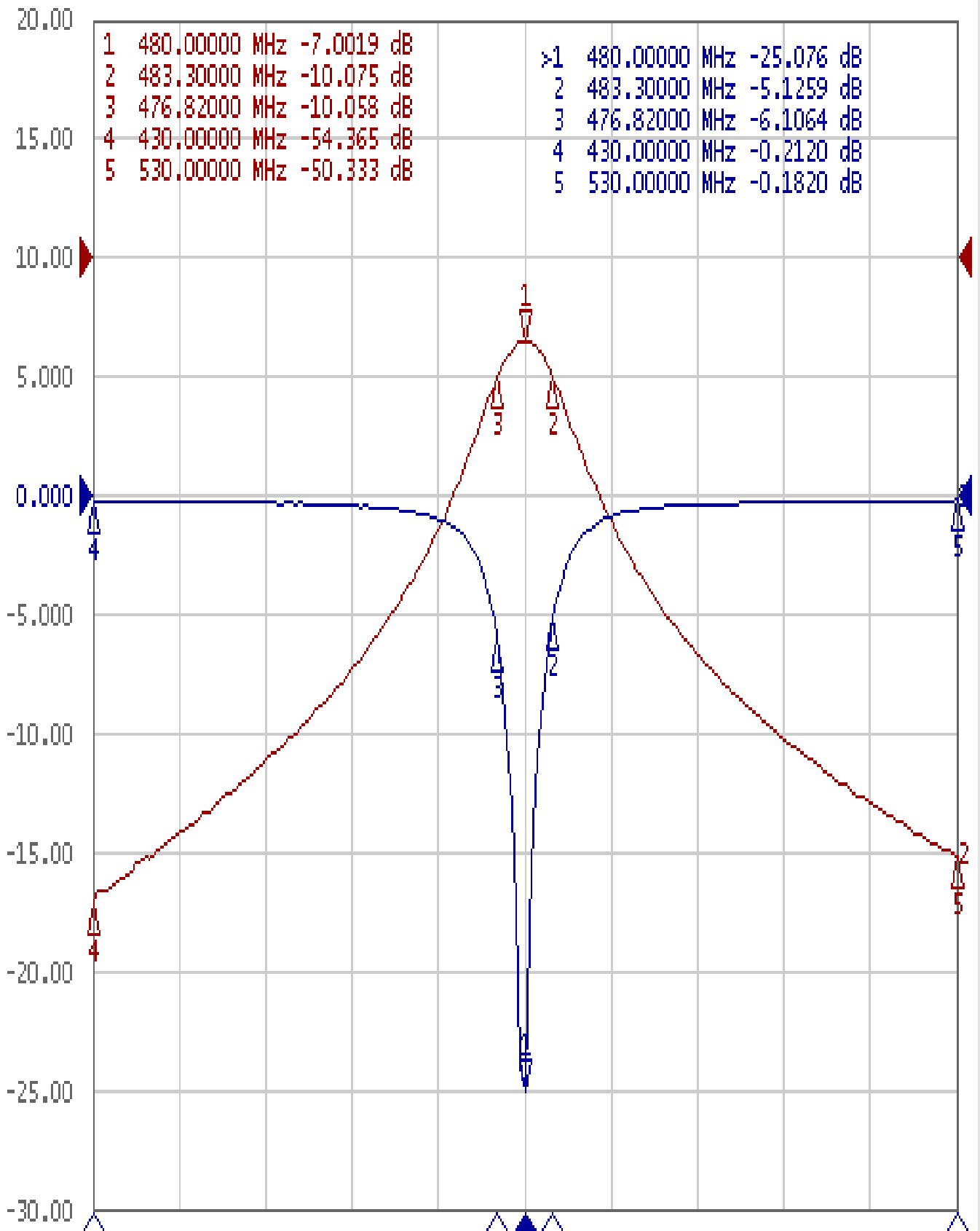
TEMWELL CORPORATION

TEMWELL Form10-7S2A Vision D RD RP(W.H.W)

Performance- TDS2381A-480M

202102022CD

Tr1 511 Log Mag 5.000dB/ Ref 0.000dB [F2]
Tr2 521 Log Mag 10.000dB/ Ref 0.000dB [F2]



1 Center 480 MHz

IFBW 70 kHz

Span 100 MHz

Cor !