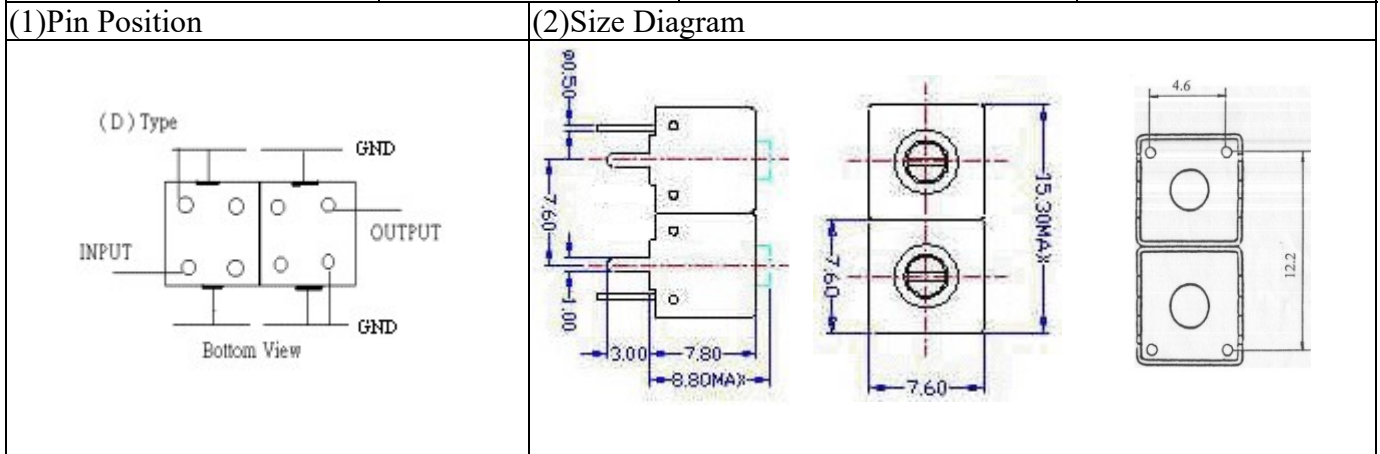


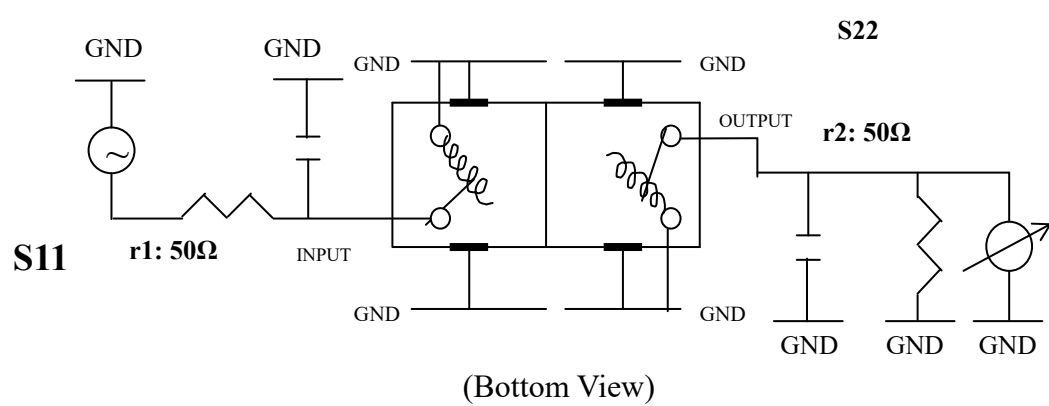
# VHF UHF Helical Filter Specification Sheet

Customer Name		Temwell's Part No.	TDS2390D-455M
Approval No. /dated	202102031CD	Temwell's Print name.	2390D 455M
Work Instruction No.	202102031CD	Date	Jun.08.2021



(3) Electric Characteristic			
Item		Specify	Performance
Center Freq.(Fo) +/- 0.5 %		455 MHz	455 MHz
Insertion Loss		Typ. 4.5 dB	3.24 dB
-3 dB Bandwidth		Typ. 11 MHz	13.6 MHz
Sensitivity (Attenuation)	Fo - 50 MHz	Typ. 30 dBc	35 dBc
	Fo +50 MHz	Typ. 22 dBc	27 dBc
	Fo - ( )MHz	Typ. dBc	dBc
	Fo +( )MHz	Typ. dBc	dBc
Return Loss		Min. 12 dB	26.3 dB
Ripple		< 1 dB	dB
Impedance		In / Out : 50 Ω	In / Out : 50 Ω
(4) Torque for Tuning Screw		> 60gf · cm	
(5) Temperature Condition:			
Operating Temperature		0°C ~ +60°C	
Storage Temperature		-20°C ~ +70°C	
(6) Input Power		> 0.5Watt	

(7) Measuring Circuit: ※ Easy to match Impedance S11/S22 50Ω by parallel with about (- -)



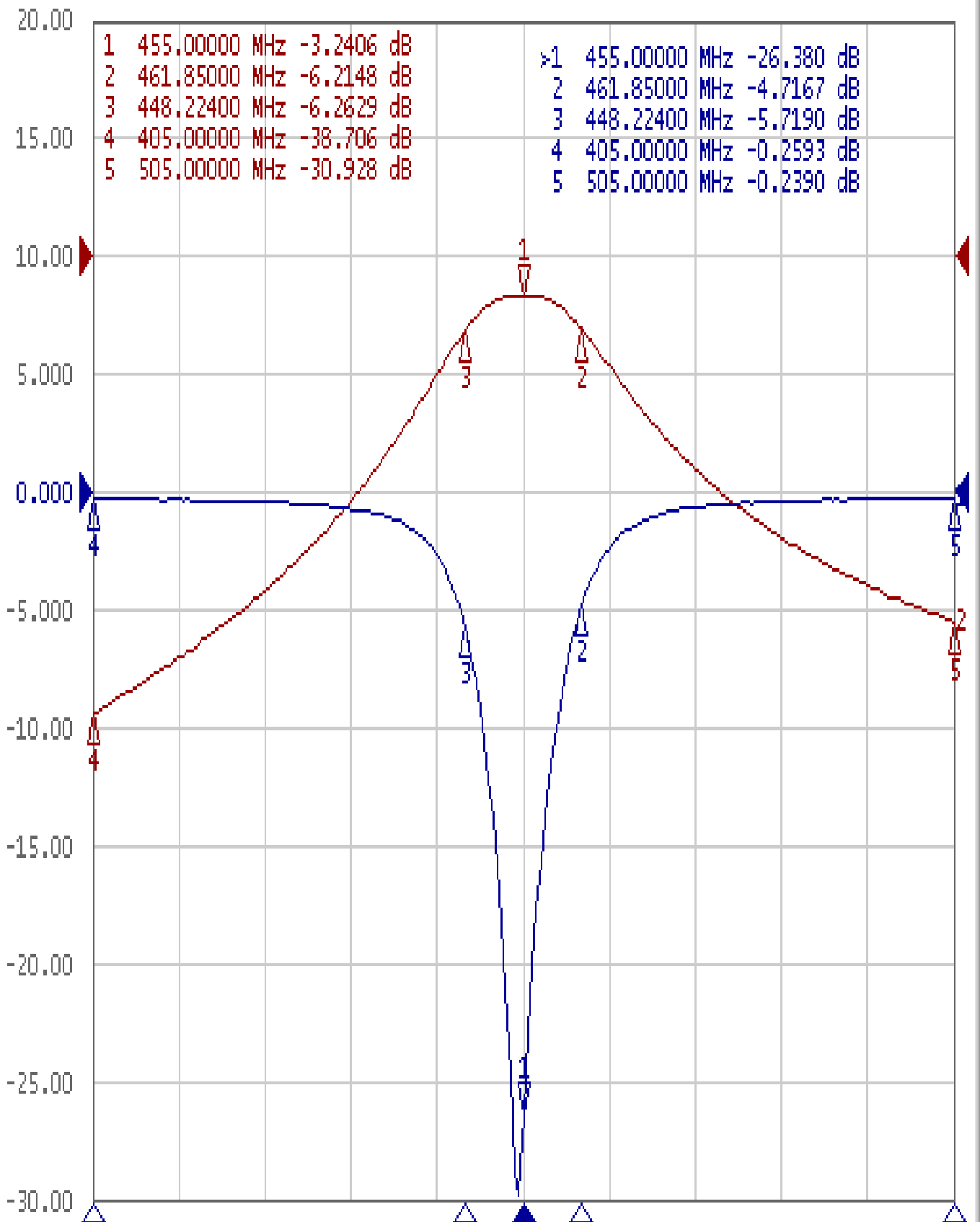
Approval	Supervisor	Designer	Aperture size
C.C.Chang	C.K.Chang	W.H.Wang	7S2S(4*4.3)(4.36) 7S024LB5

TEMWELL CORPORATION

# Performance- TDS2390D-455M

## 202102031CD

▶ Tr1 S11 Log Mag 5.000dB/ Ref 0.000dB [F2]  
Tr2 S21 Log Mag 10.000dB/ Ref 0.000dB [F2]



1 Center 455 MHz

IFBW 70 kHz

Span 100 MHz Cor !