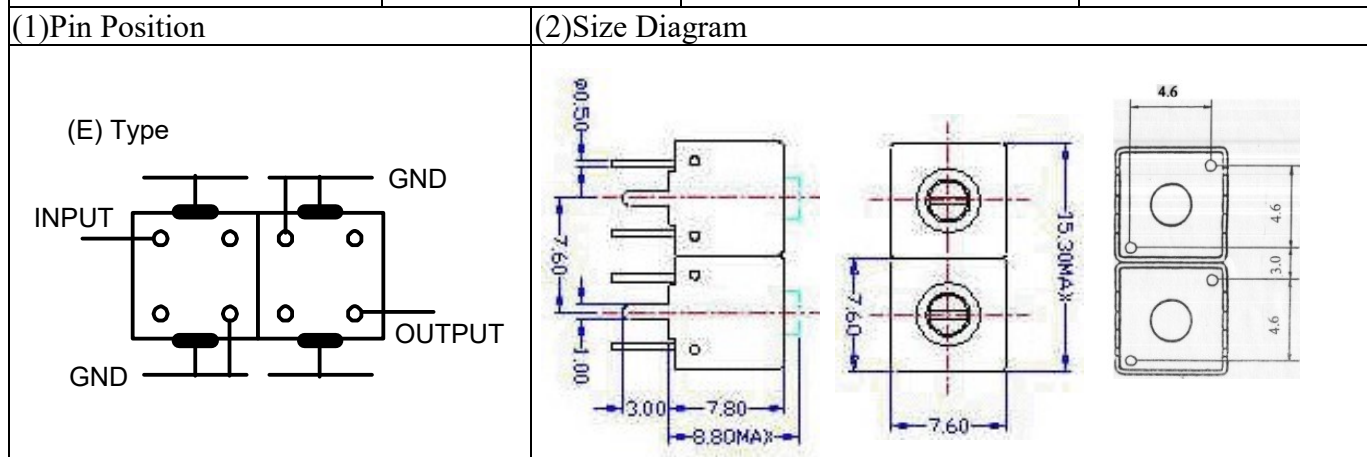


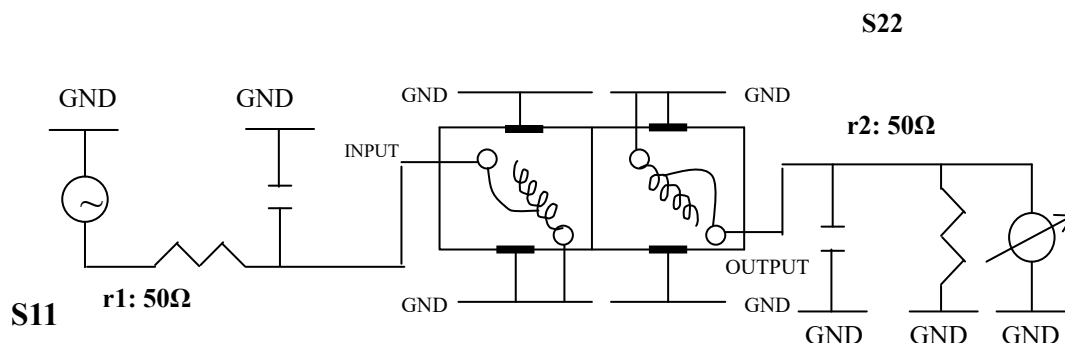
VHF UHF Helical Filter Specification Sheet

Customer Name		Temwell's Part No.	TDS2392E-480M
Approval No. /dated	202102033CD	Temwell's Print name.	2392E 480M
Work Instruction No.	202102033CD	Date	Jun.11.2021



(3) Electric Characteristic			
Item		Specify	Performance
Center Freq.(Fo) +/- 0.5 %		480 MHz	480 MHz
Insertion Loss		TyP. 2.5 dB	1.66 dB
-3 dB Bandwidth		TyP. 20 MHz	22.8 MHz
Sensitivity (Attenuation)	Fo - 100 MHz	TyP. 29 dBc	34 dBc
	Fo + 100 MHz	TyP. 33 dBc	38 dBc
	Fo - ()MHz	TyP. dBc	dBc
	Fo + ()MHz	TyP. dBc	dBc
Return Loss		Min. 12 dB	24.8 dB
Ripple		< 1 dB	dB
Impedance		In / Out : 50 Ω	In / Out : 50 Ω
(4) Torque for Tuning Screw		> 60gf · cm	
(5) Temperature Condition:			
Operating Temperature		0°C ~ +60°C	
Storage Temperature		-20°C ~ +70°C	
(6) Input Power		> 1Watt	

(7) Measuring Circuit: ※Easy to match Impedance S11/S22 50Ω by parallel with about (- -)



(Bottom View)

Approval	Supervisor	Designer	Aperture size
C.C.Chang	C.K.Chang	C.H.Yeh	7S2S(4*5.1)(5.18) 7S024LB5(J1)

TEMWELL CORPORATION

TEMWELL

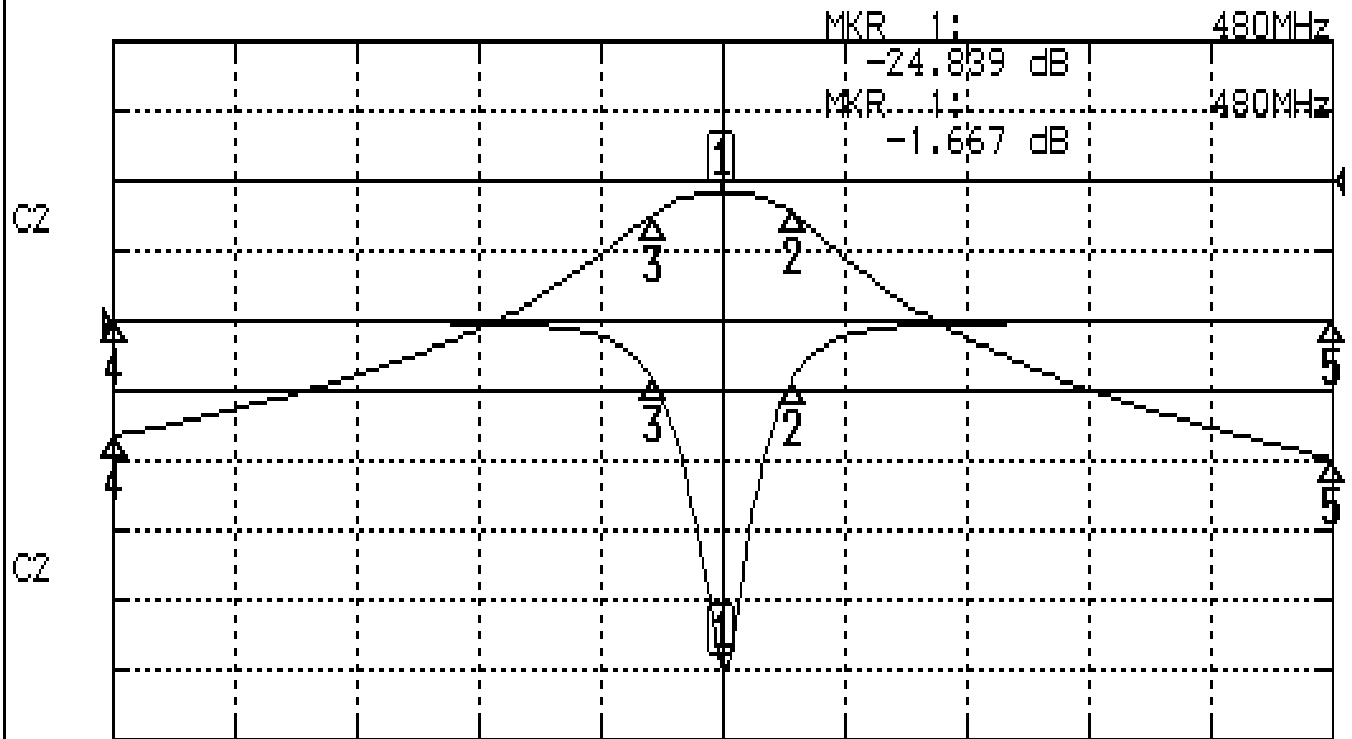
Form10-7S2E Vision D

RD(C.H.Y)

Performance- TDS2392E-480M

202102033CD

CH1 S11 LOG MAG REF 0.000 dB 5.000 dB/
CH2 S21 LOG MAG REF 0.000 dB 10.000 dB/



CENTER 480MHz

[10.00 dBm]

SPAN 200MHz

CH1 MARKER LIST

1	480.000MHz	-24.839 dB
2	491.500MHz	-4.242 dB
3	468.666MHz	-4.247 dB
4	380.000MHz	-0.081 dB
5	580.000MHz	-0.048 dB

CH2 MARKER LIST

1	480.000MHz	-1.667 dB
2	491.500MHz	-4.677 dB
3	468.666MHz	-4.676 dB
4	380.000MHz	-36.483 dB
5	580.000MHz	-39.778 dB