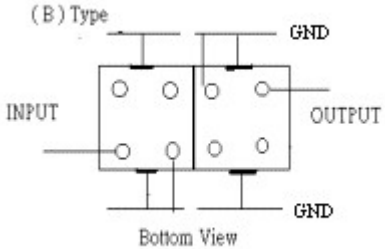
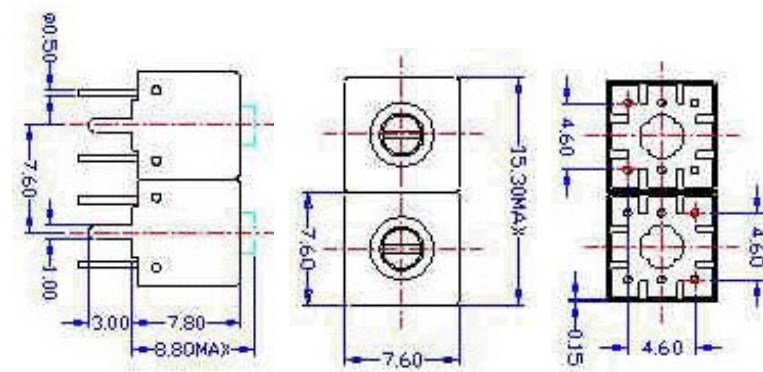


VHF UHF Helical Filter Specification Sheet

Customer Name		Temwell's Part No.	TDS2395B-460M
Approval No. /dated	202105020CD	Temwell's Print name.	2395B 460M
Work Instruction No.	202105020CD	Date	Jun.18.2021

(1)Pin Position	(2)Size Diagram
 <p>(B) Type INPUT OUTPUT GND GND Bottom View</p>	

(3)Electric Charasteric

Item	Specify	Performance	
Center Freq.(Fo) +/- 0.5 %	460 MHz	460 MHz	
Insertion Loss	Typ. 2.5 dB	1.57 dB	
-3 dB Bandwidth	Typ. 25 MHz	28.1 MHz	
Sensitivity (Attenuation)	Fo - 50 MHz	Typ. 17 dBc	22 dBc
	Fo +50 MHz	Typ. 14 dBc	19 dBc
	Fo - ()MHz	Typ. dBc	dBc
	Fo +()MHz	Typ. dBc	dBc
Return Loss	Min. 12 dB	28.0 dB	
Ripple	< 1 dB	dB	
Impedance	In / Out : 50 Ω	In / Out : 50 Ω	

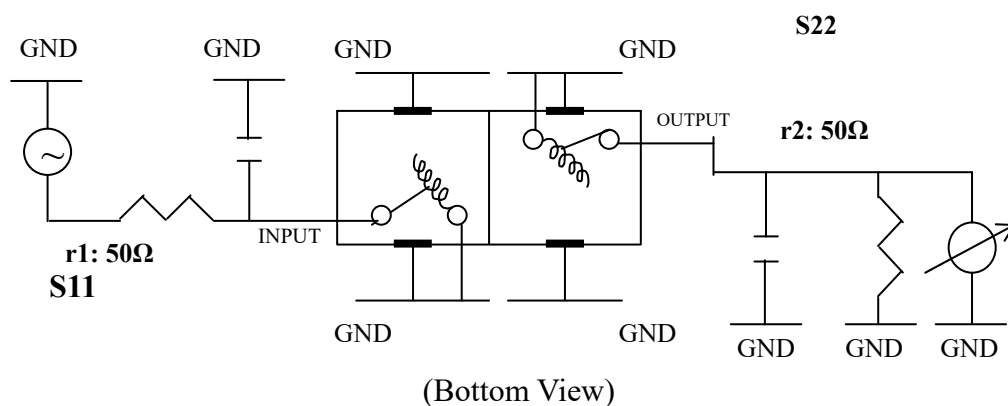
(4)Torque for Tuning Screw > 60gf • cm

(5)Temperature Condition:

Operating Temperature	0°C ~ +60°C
Storage Temperature	-20°C ~ +70°C

(6)Input Power > 0.5Watt

(7)Measuring Circuit: ※Easy to match Impedance S11/S22 50Ω by parallel with about (- -).



Approval	Supervisor	Designer	Aperture size
C.C.Chang	C.K.Chang	M.Y.Kang	7S2S(4*4.3)(4.35) 7S024RB6 (J1)

TEMWELL CORPORATION

TEMWELL

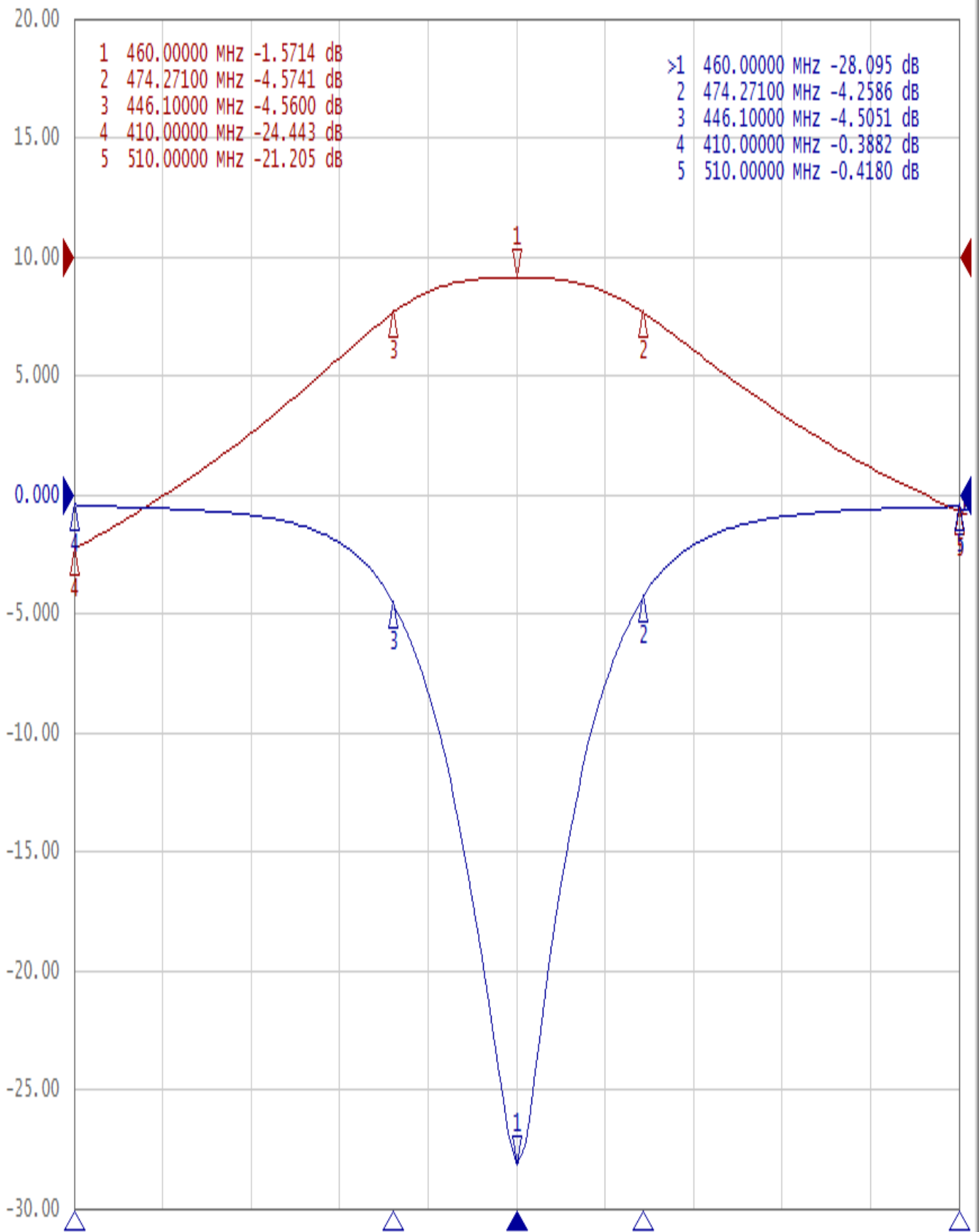
Form10-7S2B Vision D

RP (M.Y)

Performance- TDS2395B-460M

202105020CD

Tr1 S11 Log Mag 5.000dB/ Ref 0.000dB [F2]
Tr2 S21 Log Mag 10.00dB/ Ref 0.000dB [F2]



1 Center 460 MHz

IFBW 70 kHz

Span 100 MHz Cor!