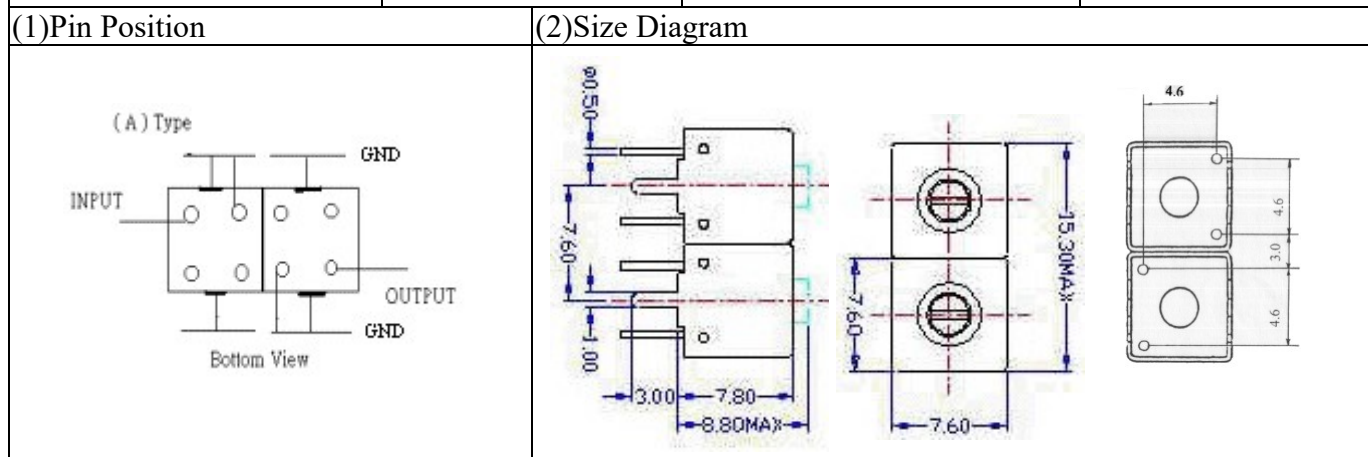


# VHF UHF Helical Filter Specification Sheet

Customer Name		Temwell's Part No.	TDS2399A-546M
Approval No. /dated	20210502CD	Temwell's Print name.	2399A 546M
Work Instruction No.	202105024CD	Date	Jul.01.2021



**(3) Electric Characteristic**

Item	Specify	Performance
Center Freq.(Fo) +/- 0.5 %	546 MHz	546 MHz
Insertion Loss	Typ. 10 dB	9.05 dB
-3 dB Bandwidth	Typ. 3 MHz	6.9 MHz
Sensitivity (Attenuation)	Fo - 50 MHz	Typ. 40 dBc
	Fo +50 MHz	Typ. 34 dBc
	Fo - ( )MHz	Typ. dBc
	Fo +( )MHz	Typ. dBc
Return Loss	Min. 12 dB	19.1 dB
Ripple	< 1 dB	dB
Impedance	In / Out : 50 Ω	In / Out : 50 Ω

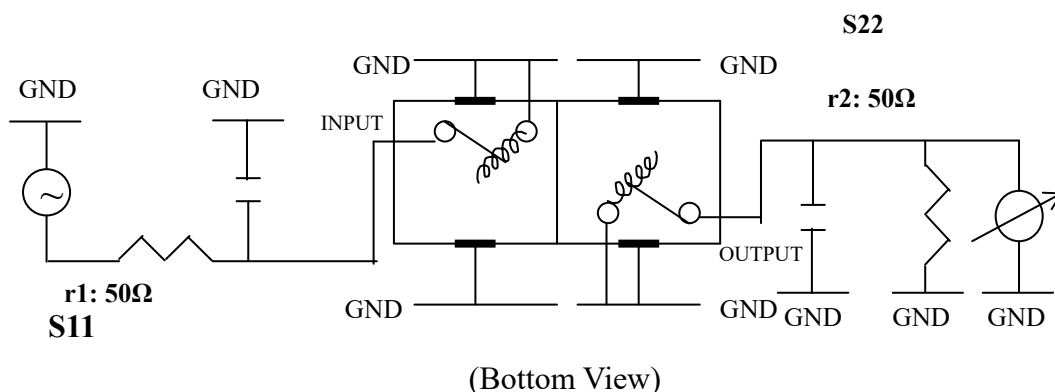
(4) Torque for Tuning Screw > 60gf · cm

**(5) Temperature Condition:**

Operating Temperature	0°C ~ +60°C
Storage Temperature	-20°C ~ +70°C

(6) Input Power > 0.5Watt

(7) Measuring Circuit: ※Easy to match Impedance 50Ω by parallel with about (- -)



Approval	Supervisor	Designer	Aperture size
C.C.Chang	C.K.Chang	W.H.Wang	7S2S(4*3.3)(3.35) 7S024LB5

TEMWELL CORPORATION

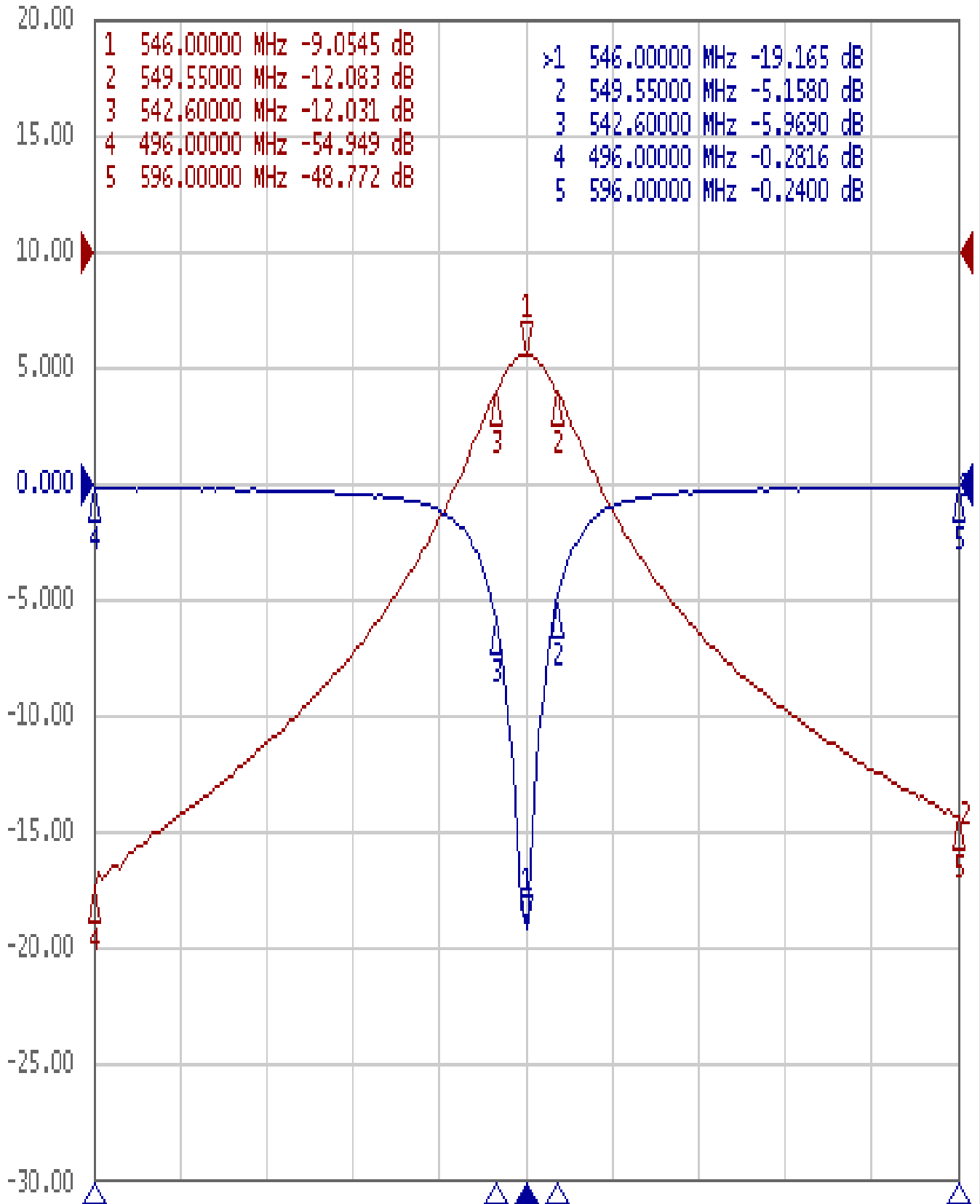
TEMWELL Form10-7S2A Vision D RD RP(W.H.W)

# Performance- TDS2399A-546M

## 202105024CD

Tr1 S11 Log Mag 5.000dB/ Ref 0.000dB [F2]

Tr2 S21 Log Mag 10.00dB/ Ref 0.000dB [F2]



1 Center 546 MHz

IFBW 70 kHz

Span 100 MHz Cor !