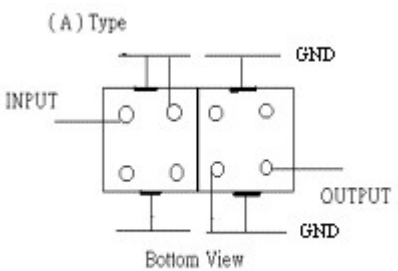
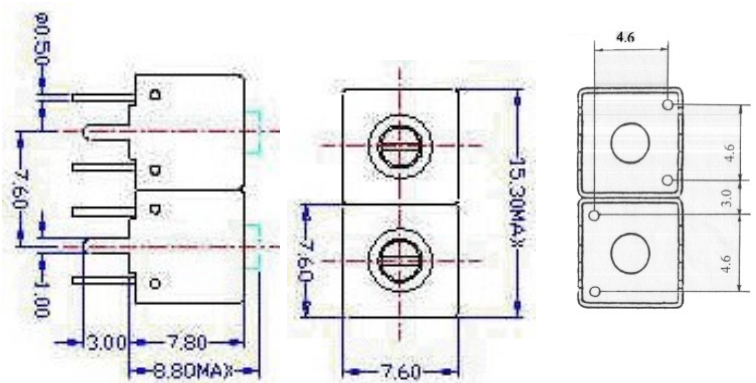


# VHF UHF Helical Filter Specification Sheet

Customer Name		Temwell's Part No.	TDS2411A-612M
Approval No. /dated	202105036CD	Temwell's Print name.	2411A 612M
Work Instruction No.	202105036CD	Date	Jul.05.2021

(1)Pin Position	(2)Size Diagram
 <p>(A) Type Bottom View</p>	

### (3)Electric Charasteric

Item	Specify	Performance	
Center Freq.(Fo) +/- 0.5 %	612 MHz	612 MHz	
Insertion Loss	Typ. 5.0 dB	4.13 dB	
-3 dB Bandwidth	Typ. 9 MHz	13.7 MHz	
Sensitivity (Attenuation)	Fo - 50 MHz	Typ. 28 dBc	33 dBc
	Fo +50 MHz	Typ. 24 dBc	29 dBc
	Fo - ( )MHz	Typ. dBc	dBc
	Fo +( )MHz	Typ. dBc	dBc
Return Loss	Min. 12 dB	24.1 dB	
Ripple	< 1 dB	dB	
Impedance	In / Out : 50 Ω	In / Out : 50 Ω	

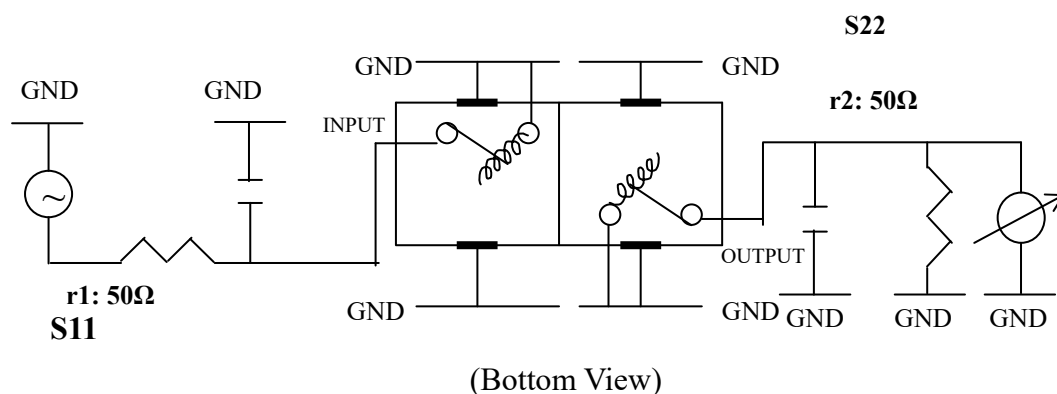
(4)Torque for Tuning Screw	> 60gf · cm
----------------------------	-------------

### (5)Temperature Condition:

Operating Temperature	0°C ~ +60°C
Storage Temperature	-20°C ~ +70°C

(6)Input Power	> 0.5Watt
----------------	-----------

### (7)Measuring Circuit: ※Easy to match Impedance S11/S22 50Ω by parallel with about (- -)



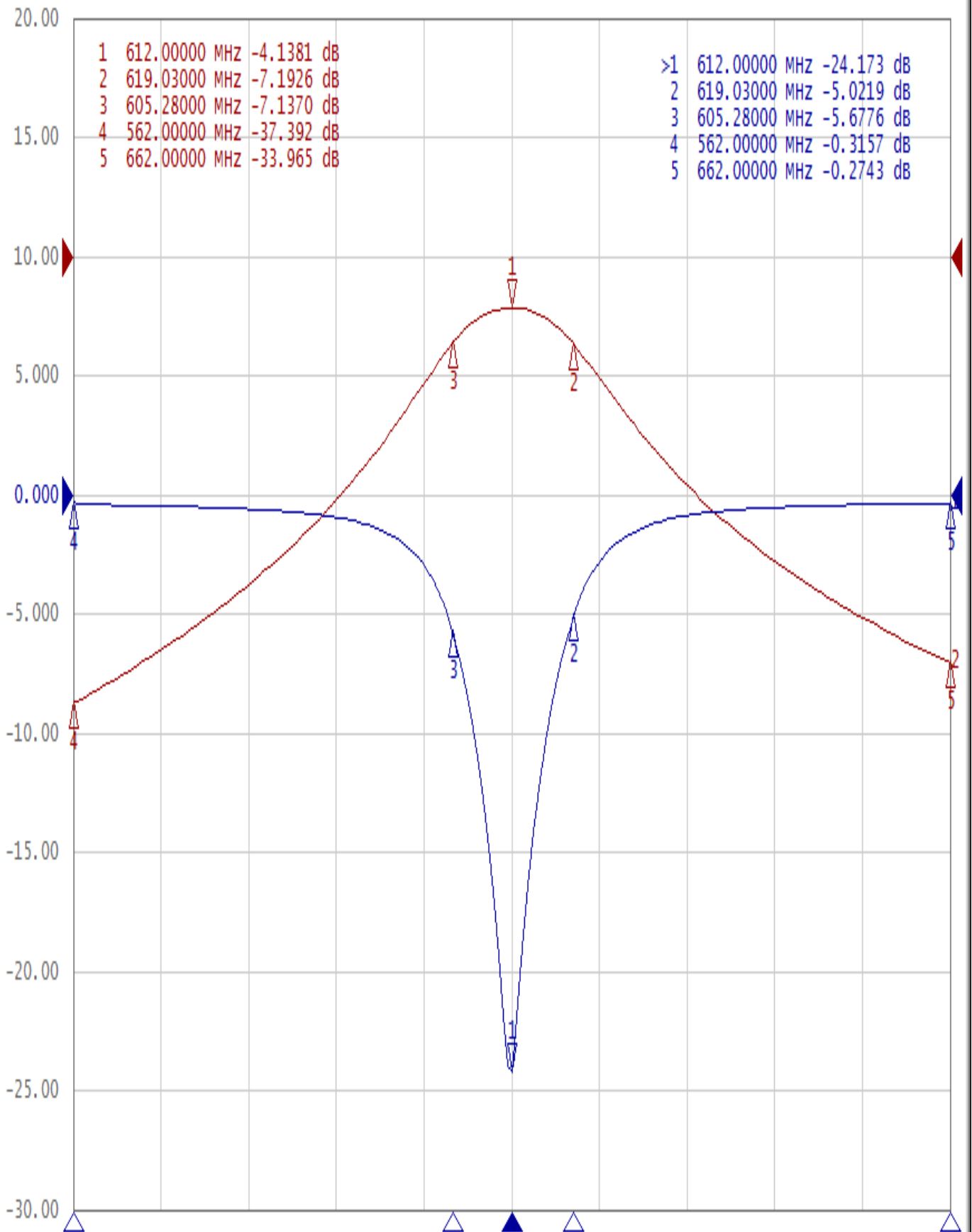
Approval C.C.Chang	Supervisor C.K.Chang	Designer M.Y.Kang	Aperture size 7S2S(4*4.3)(4.36) 7S024LB5
-----------------------	-------------------------	----------------------	--

TEMWELL CORPORATION

# Performance- TDS2411A-612M

## 202105036CD

Tr1 S11 Log Mag 5.000dB/ Ref 0.000dB [F2]  
Tr2 S21 Log Mag 10.00dB/ Ref 0.000dB [F2]



1 Center 612 MHz

IFBW 70 kHz

Span 100 MHz Cor !