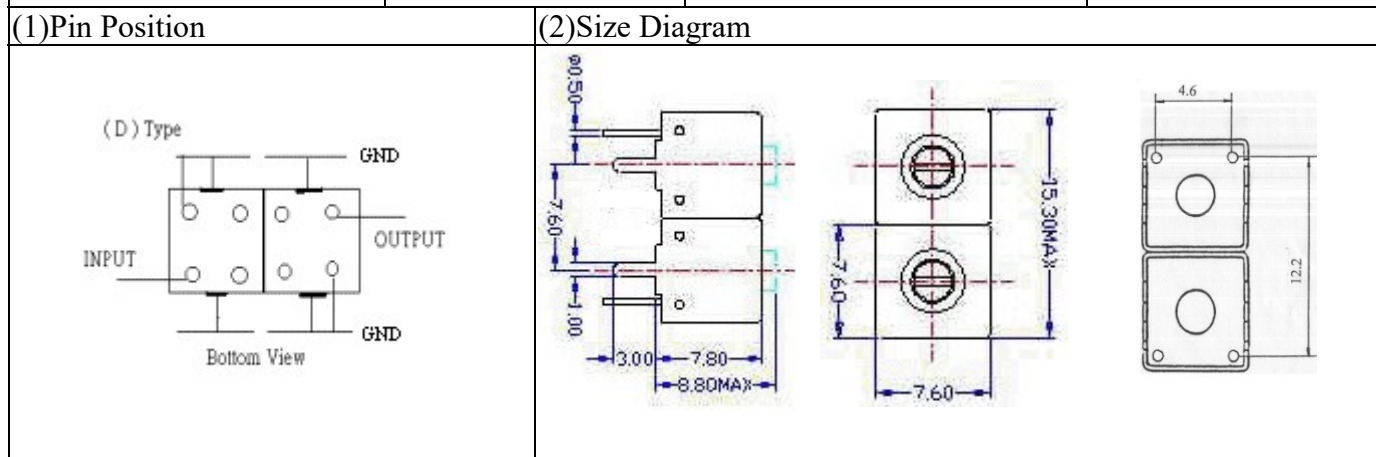


VHF UHF Helical Filter Specification Sheet

Customer Name		Temwell's Part No.	TDS2417D-680M
Approval No. /dated	202105042CD	Temwell's Print name.	2417D 680M
Work Instruction No.	202105042CD	Date	Jul.19.2021



(3)Electric Charasteric

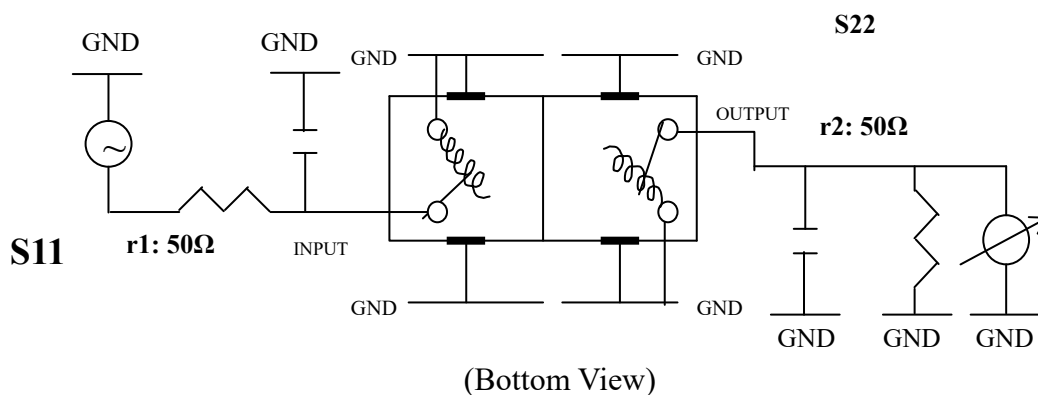
Item	Specify	Performance	
Center Freq.(Fo) +/- 0.5 %	680 MHz	680 MHz	
Insertion Loss	Typ. 4.5 dB	3.81 dB	
-3 dB Bandwidth	Typ. 12 MHz	14.3 MHz	
Sensitivity (Attenuation)	Fo - 50 MHz	Typ. 26 dBc	31 dBc
	Fo + 50 MHz	Typ. 23 dBc	28 dBc
	Fo - ()MHz	Typ. dBc	dBc
	Fo +()MHz	Typ. dBc	dBc
Return Loss	Min. 12 dB	20.9 dB	
Ripple	< 1 dB	dB	
Impedance	In / Out : 50 Ω	In / Out : 50 Ω	
(4)Torque for Tuning Screw	> 60gf • cm		

(5)Temperature Condition:

Operating Temperature	0°C ~ +60°C
Storage Temperature	-20°C ~ +70°C

(6)Input Power

(7)Measuring Circuit: ※Easy to match Impedance S11/S22 50Ω by parallel with about (- -)



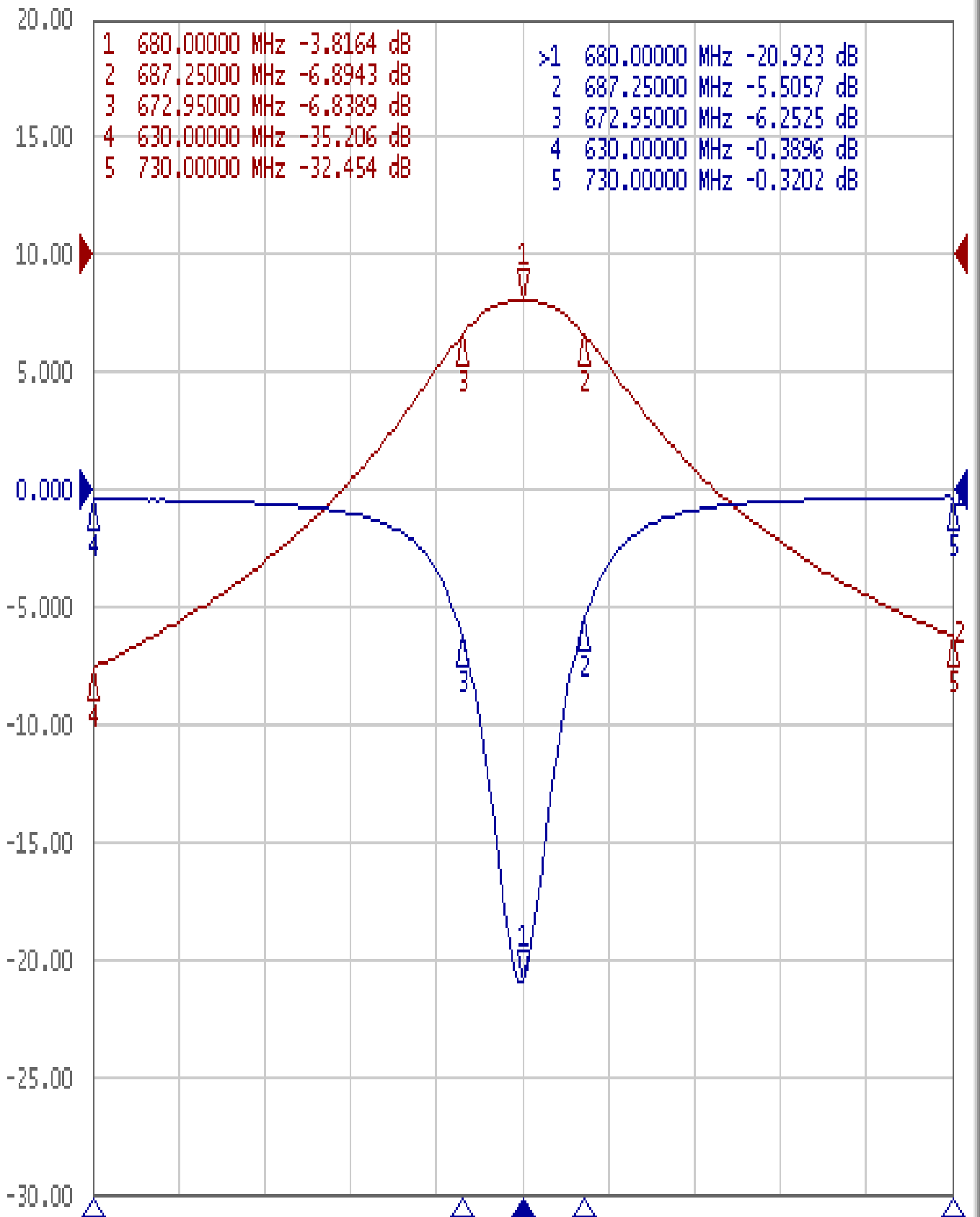
Approval C.C.Chang	Supervisor C.K.Chang	Designer W.H.Wang	Aperture size 7S2S(4*3.3)(3.37) 7S024LB5
-----------------------	-------------------------	----------------------	--

TEMWELL CORPORATION

Performance- TDS2417D-680M

202105042CD

▶ Tr1 S11 Log Mag 5.000dB/ Ref 0.000dB [F2]
Tr2 S21 Log Mag 10.00dB/ Ref 0.000dB [F2]



1 Center 680 MHz

IFBW 70 kHz

Span 100 MHz

Cor !