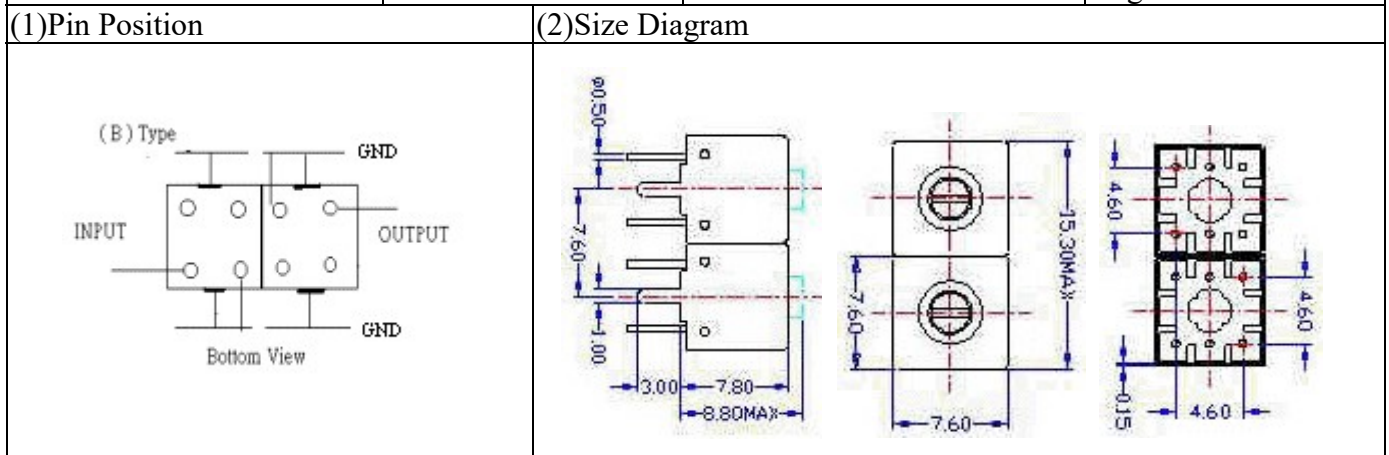


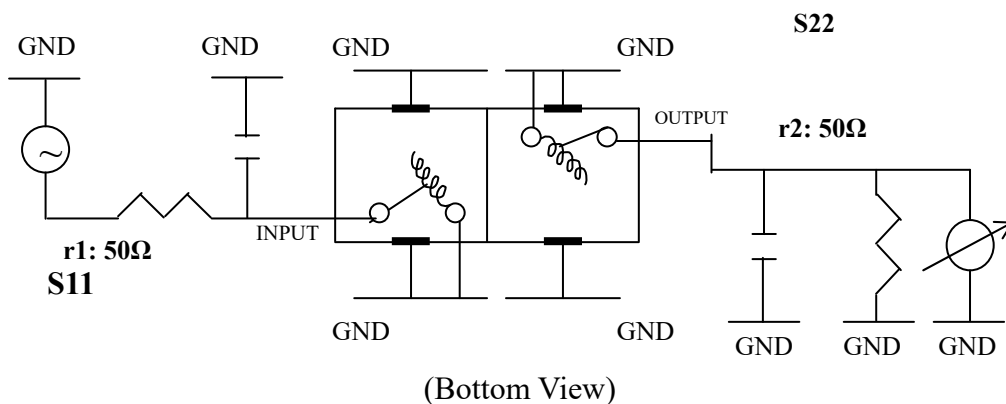
VHF UHF Helical Filter Specification Sheet

Customer Name		Temwell's Part No.	TDS2425B-725M
Approval No. /dated	202107041CD	Temwell's Print name.	2425B 725M
Work Instruction No.	202107041CD	Date	Aug.06.2021



(3)Electric Charasteric			
Item	Specify	Performance	
Center Freq.(Fo) +/- 0.5 %	725 MHz	725 MHz	
Insertion Loss	Typ. 3.0 dB	1.91 dB	
-3 dB Bandwidth	Typ. 30 MHz	35.1 MHz	
Sensitivity (Attenuation)	Fo - 100 MHz	Typ. 26 dBc	31 dBc
	Fo +100 MHz	Typ. 21 dBc	26 dBc
	Fo - ()MHz	Typ. dBc	dBc
	Fo +()MHz	Typ. dBc	dBc
Return Loss	Min. 12 dB	20.2 dB	
Ripple	< 1 dB	dB	
Impedance	In / Out : 50 Ω	In / Out : 50 Ω	
(4)Torque for Tuning Screw	> 60gf • cm		
(5)Temperature Condition:			
Operating Temperature	0°C ~ +60°C		
Storage Temperature	-20°C ~ +70°C		
(6)Input Power	> 0.5Watt		

(7)Measuring Circuit: ※Easy to match Impedance S11/S22 50Ω by parallel with about (- -).



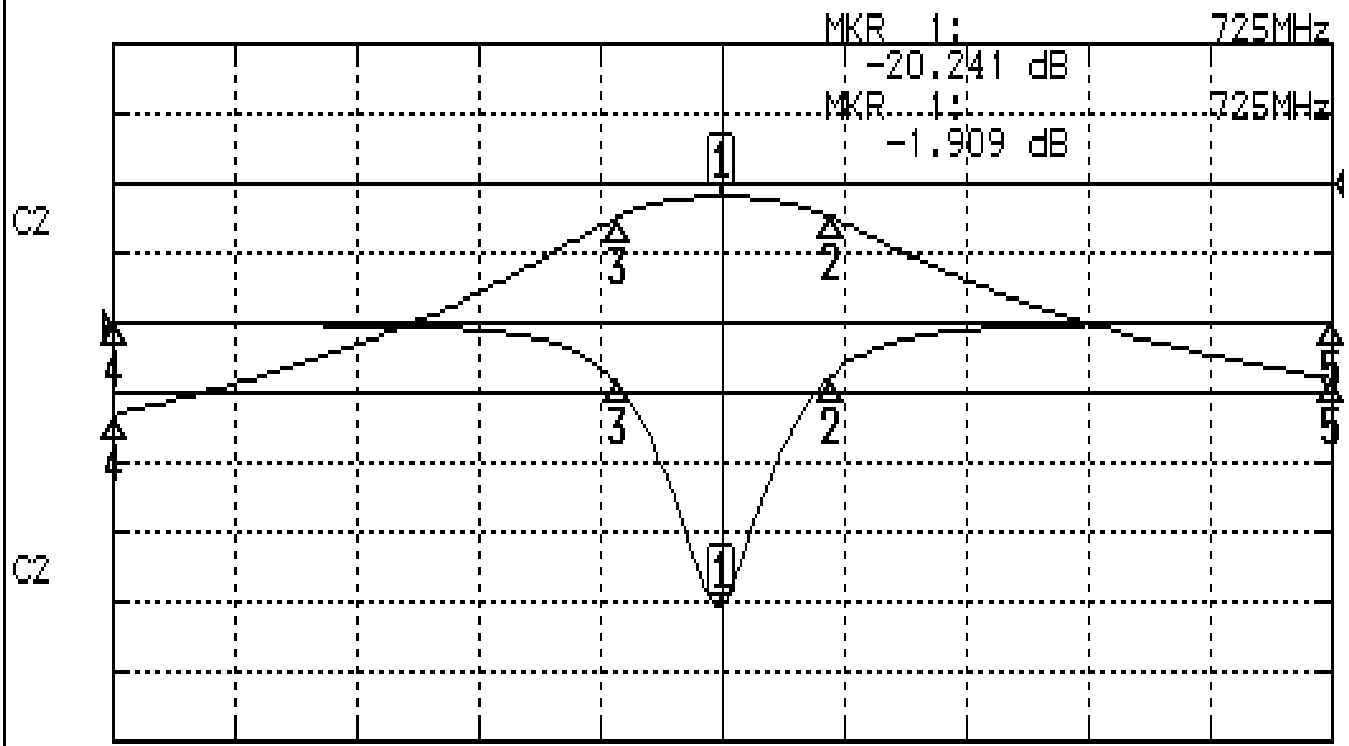
Approval	Supervisor	Designer	Aperture size
C.C.Chang	C.K.Chang	Z.Y.Wang	7S2S(4*4.3)(4.36) 7S024RB6

TEMWELL CORPORATION

Performance- TDS2425B-725M

202107041CD

CH1 S11 LOG MAG REF 0.000 dB 5.000 dB/
CH2 S21 LOG MAG REF 0.000 dB 10.000 dB/



CENTER 725MHz

[10.00 dBm]

SPAN 200MHz

CH1 MARKER LIST

1:	725.000MHz	-20.241 dB
2:	742.850MHz	-3.848 dB
3:	707.666MHz	-4.301 dB
4:	625.000MHz	-0.053 dB
5:	825.000MHz	0.007 dB
6:		
7:		
8:		
9:		
10:		

CH2 MARKER LIST

1:	725.000MHz	-1.911 dB
2:	742.850MHz	-4.933 dB
3:	707.666MHz	-4.934 dB
4:	625.000MHz	-33.264 dB
5:	825.000MHz	-27.975 dB
6:		
7:		
8:		
9:		
10:		