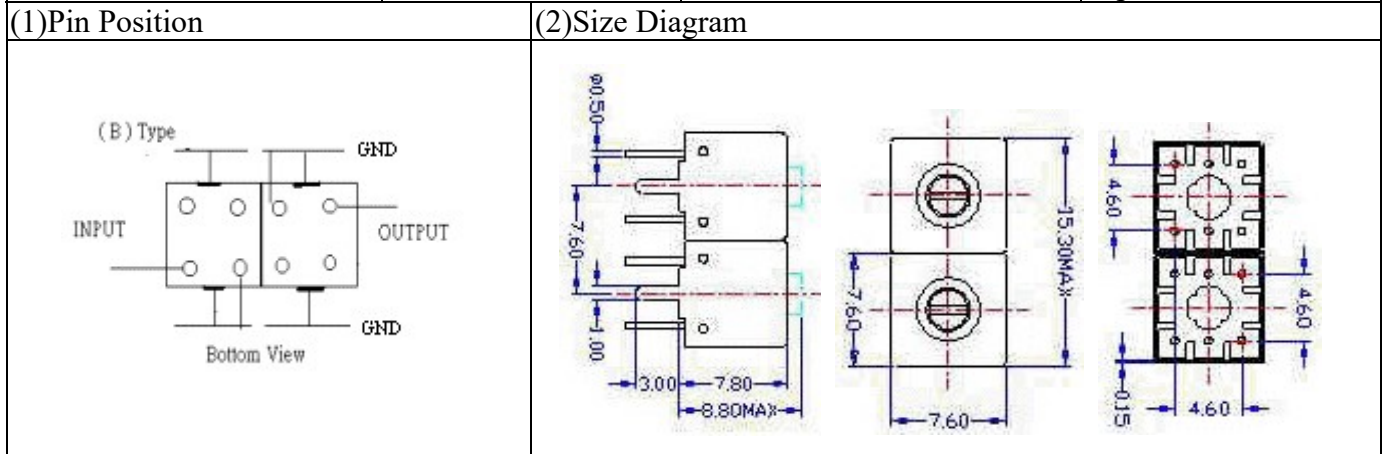


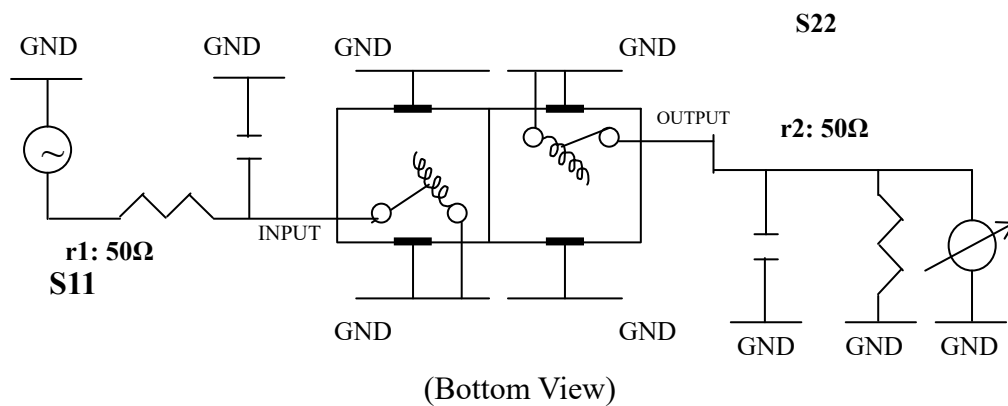
VHF UHF Helical Filter Specification Sheet

Customer Name		Temwell's Part No.	TDS2432B-775M
Approval No. /dated	202107048CD	Temwell's Print name.	2432B 775M
Work Instruction No.	202107048CD	Date	Sep.15.2021



(3) Electric Characteristic			
Item		Specify	Performance
Center Freq.(Fo) +/- 0.5 %		775 MHz	775 MHz
Insertion Loss		Typ. 3.0 dB	1.82 dB
-3 dB Bandwidth		Typ. 34 MHz	37.0 MHz
Sensitivity (Attenuation)	Fo - 100 MHz	Typ. 26 dBc	31 dBc
	Fo +100 MHz	Typ. 20 dBc	25 dBc
	Fo - ()MHz	Typ. dBc	dBc
	Fo +()MHz	Typ. dBc	dBc
Return Loss		Min. 12 dB	30.1 dB
Ripple		< 1 dB	dB
Impedance		In / Out : 50 Ω	In / Out : 50 Ω
(4) Torque for Tuning Screw		> 60gf · cm	
(5) Temperature Condition:			
Operating Temperature		0°C ~ +60°C	
Storage Temperature		-20°C ~ +70°C	
(6) Input Power		> 0.5Watt	

(7) Measuring Circuit: ※Easy to match Impedance S11/S22 50Ω by parallel with about (- -).



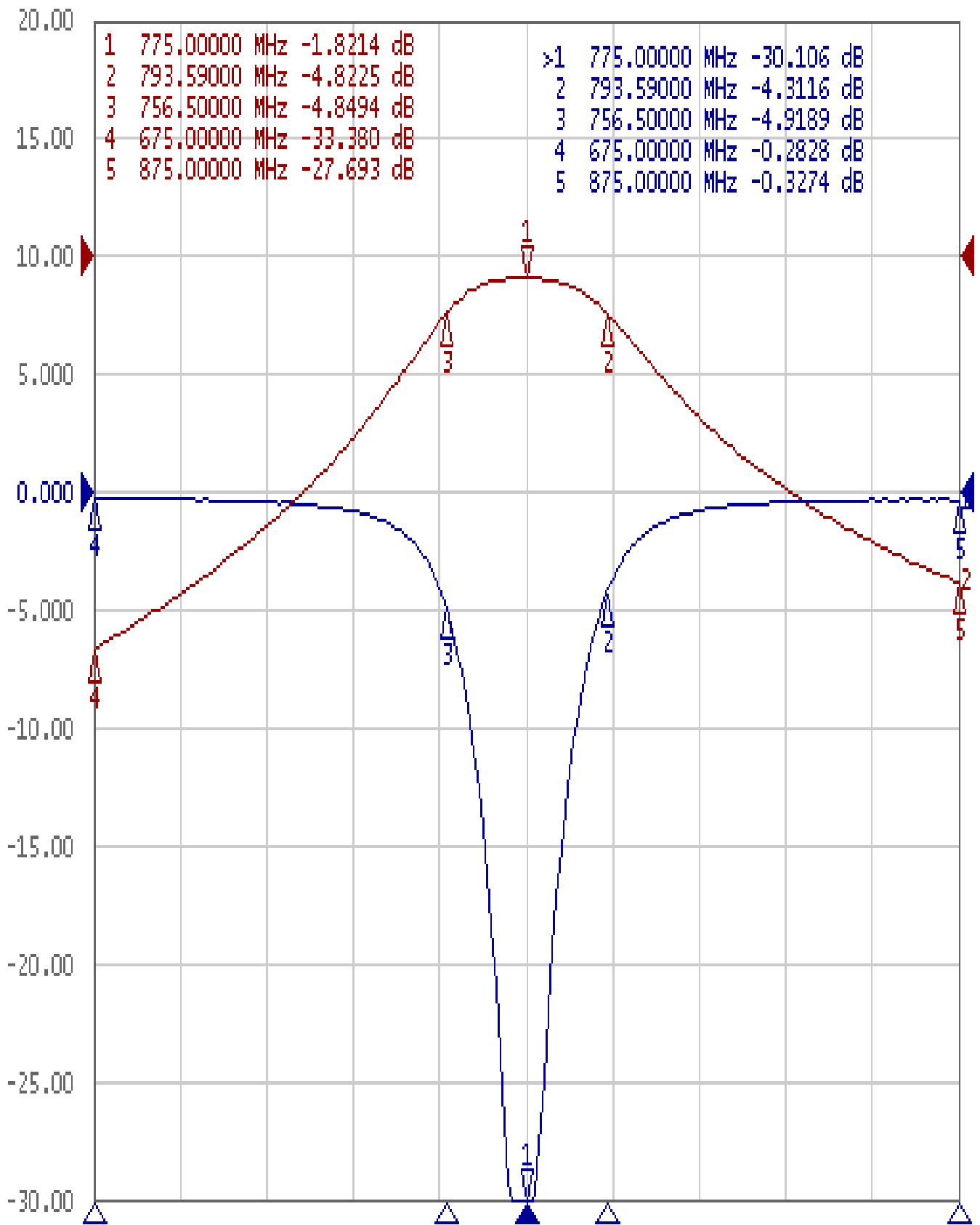
Approval	Supervisor	Designer	Aperture size
C.C.Chang	C.K.Chang	W.H.Wang	7S2S(4*3.3)(3.35) 7S024RB6

TEMWELL CORPORATION

Performance- TDS2432B-775M

202107048CD

Tr1 S11 Log Mag 5.000dB/ Ref 0.000dB [F2]
Tr2 S21 Log Mag 10.00dB/ Ref 0.000dB [F2]



1 Center 775 MHz

IFBW 70 kHz

Span 200 MHz Cor !