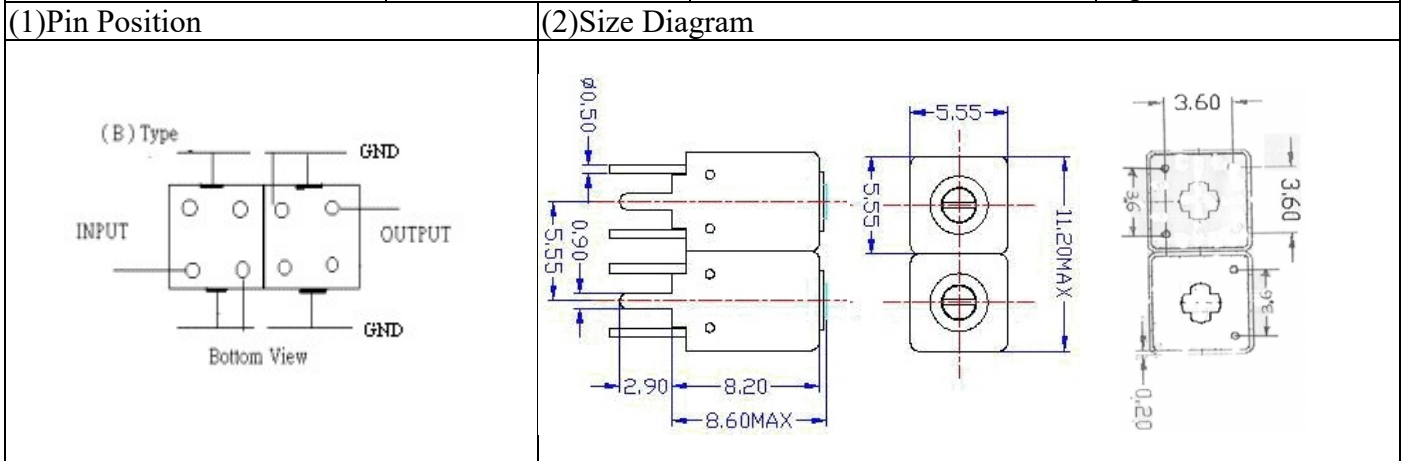


# VHF UHF Helical Filter Specification Sheet

Customer Name		Temwell's Part No.	TDW21045B-868M
Approval No. /dated	201709044CD	Temwell's print Name.	21045B 868M
Work Instruction No.	201709044CD	Date	Sep20.2017



(3) Electric Characteristic

Item	Specify	Performance
Center Freq.(Fo) +/- 0.5 %	868 MHz	868 MHz
Insertion Loss	Typ. 7.0 dB	6.02 dB
-3 dB Bandwidth	Typ. 5 MHz	11.7 MHz
Sensitivity (Attenuation)	Fo - 50 MHz	Typ. 32 dBc
	Fo + 50 MHz	Typ. 28 dBc
	Fo - ( )MHz	Typ. dBc
	Fo +( )MHz	Typ. dBc
Return Loss	Min. 12 dB	36.6 dB
Ripple	< 1 dB	dB
Impedance	In / Out : 50 Ω	In / Out : 50 Ω

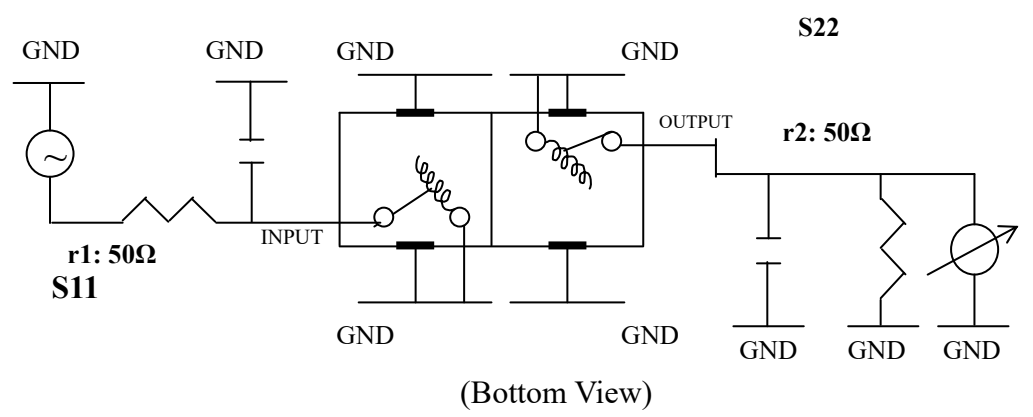
(4) Torque for Tuning Screw > 60gf · cm

(5) Temperature Condition:

Operating Temperature	0°C ~ +60°C
Storage Temperature	-20°C ~ +70°C

(6) Input Power > 0.5Watt

(7) Measuring Circuit: ※Easy to match Impedance 50Ω by parallel with about (- -)



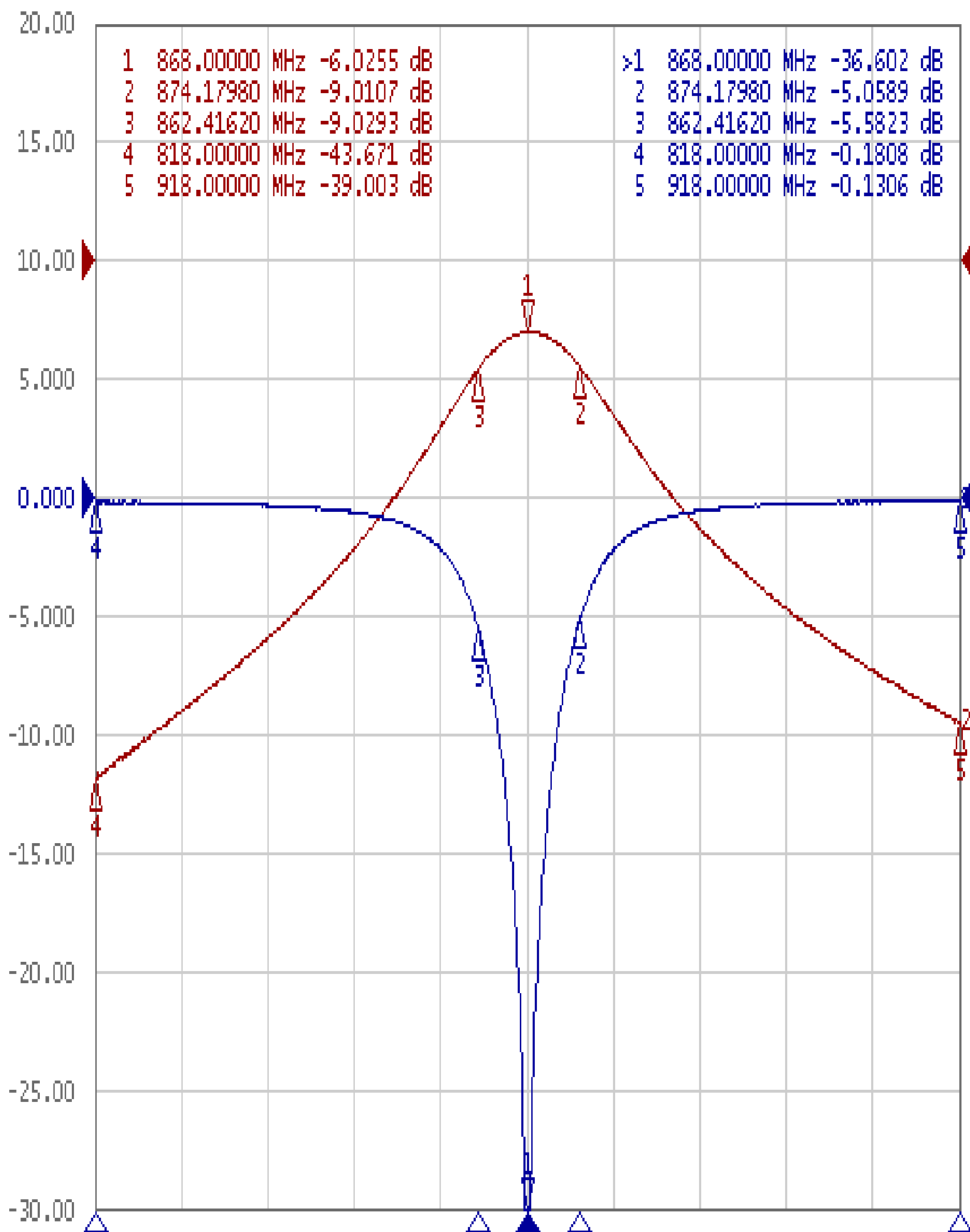
Approval	Supervisor	Designer	Aperture size
C.Y.Chang	C.K.Chang	C.S.Chang	5W2S(3.8*3.5)(3.52) 5HW024RB3

TEMWELL CORPORATION

# Performance-TDW21045B-868M

## 201709044CD

Tr1 S11 Log Mag 5.000dB/ Ref 0.000dB [F2]  
Tr2 S21 Log Mag 10.00dB/ Ref 0.000dB [F2]



1 Center 868 MHz

IFBW 70 kHz

Span 100 MHz

Cor !