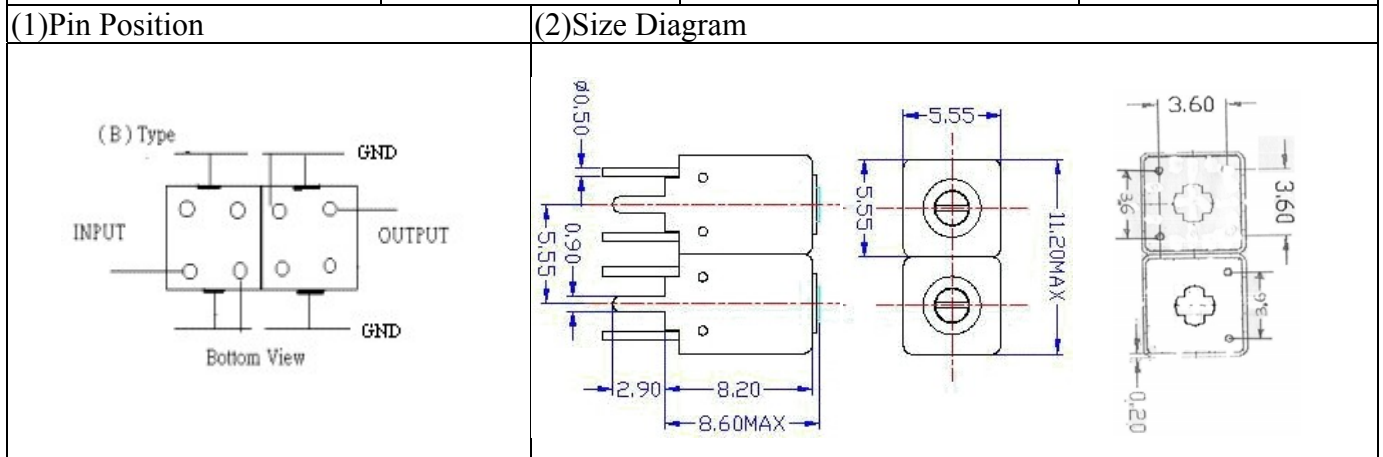


VHF UHF Helical Filter Specification Sheet

Customer Name		Temwell's Part No.	TDW2437B-434M
Approval No. /dated	0903036CD	Temwell's print Name.	2437B 434M
Work Instruction No.	200903036CD	Date	Mar.27.2009



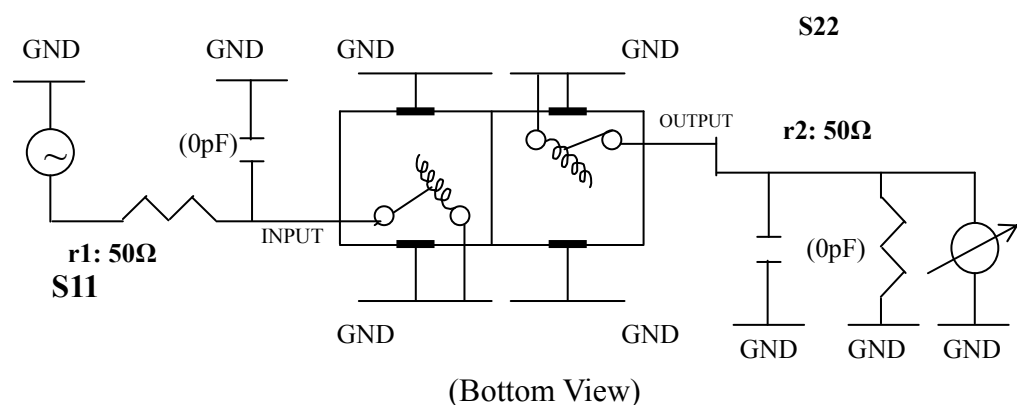
(3) Electric Characteristic			
Item	Specify	Performance	
Center Freq.(Fo) +/- 0.5 %	434 MHz	434	MHz
Tunable Range:	434±5 MHz	434±5	MHz
Insertion Loss	Typ. 2.5 dB	1.64	dB
-3 dB Bandwidth	Typ. 20 MHz	23.0	MHz
Sensitivity (Attenuation)	Fo - 50 MHz	Typ. 18	dBc
	Fo + 50 MHz	Typ. 27	dBc
	Fo - ()MHz	Typ.	dBc
	Fo + ()MHz	Typ.	dBc
Return Loss	Min. 12 dB	20	dB
Ripple	< 1 dB		dB
Impedance	In / Out : 50 Ω	In / Out : 50 Ω	

(4) Torque for Tuning Screw > 60gf · cm

(5) Temperature Condition:
 Operating Temperature 0°C ~ +60°C
 Storage Temperature -20°C ~ +70°C

(6) Input Power > 0.5Watt

(7) Measuring Circuit: ※Easy to match Impedance 50Ω by parallel with about (0pF)/(0pF)



Approval C.Y.Chang	Supervisor C.K.Chang	Designer C.S.Chang	Aperture size 5W2S(3.8*4.5)(4.52) (5HW024LB3)
TEMWELL CORPORATION			

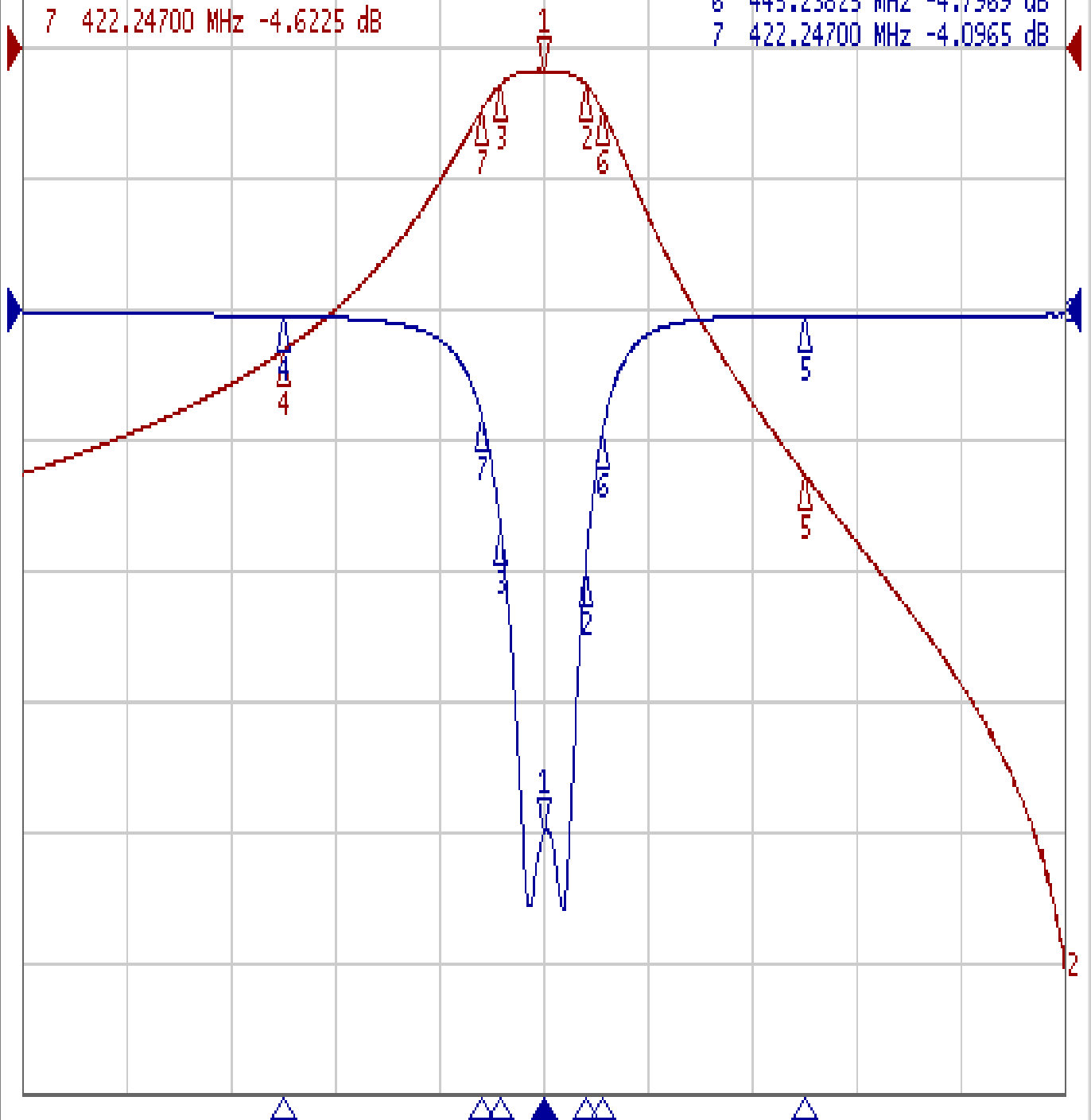
Performance-TDW2437B-434M

200903036CD

Tr1 S11 Log Mag 5.000dB/ Ref 0.000dB [F3]
Tr2 S21 Log Mag 10.00dB/ Ref 0.000dB [F3]

1	434.00000 MHz	-1.6404 dB
2	442.09900 MHz	-2.7145 dB
3	425.83225 MHz	-2.7153 dB
4	384.00000 MHz	-23.139 dB
5	484.00000 MHz	-32.570 dB
6	445.23825 MHz	-4.6252 dB
7	422.24700 MHz	-4.6225 dB

>1	434.00000 MHz	-20.044 dB
2	442.09900 MHz	-10.040 dB
3	425.83225 MHz	-8.4035 dB
4	384.00000 MHz	-0.2201 dB
5	484.00000 MHz	-0.2039 dB
6	445.23825 MHz	-4.7969 dB
7	422.24700 MHz	-4.0965 dB



1 Center 434 MHz

IFBW 10 kHz

Span 200 MHz

