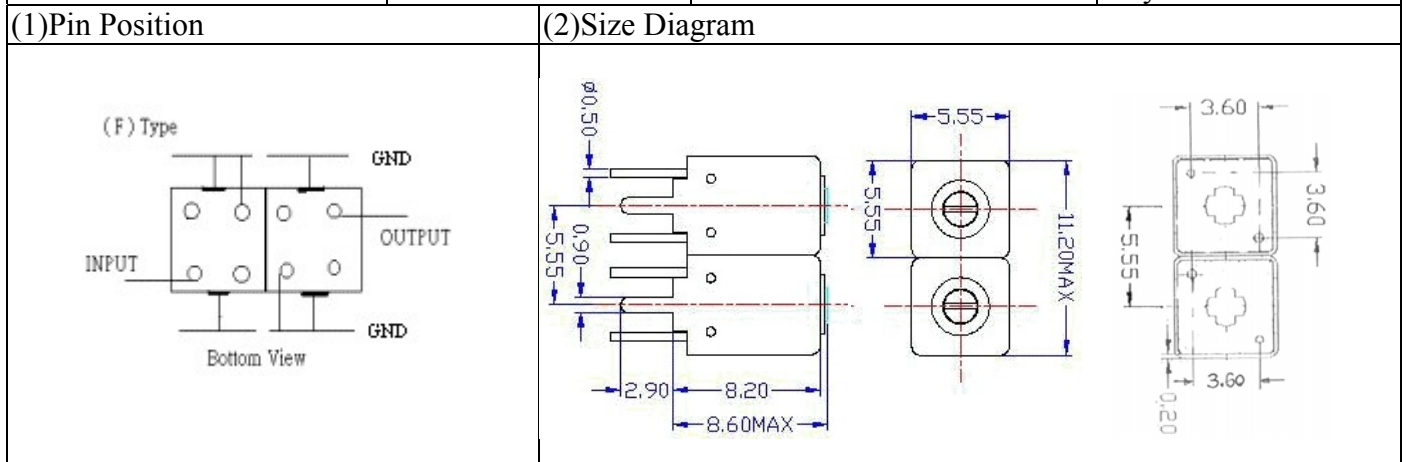


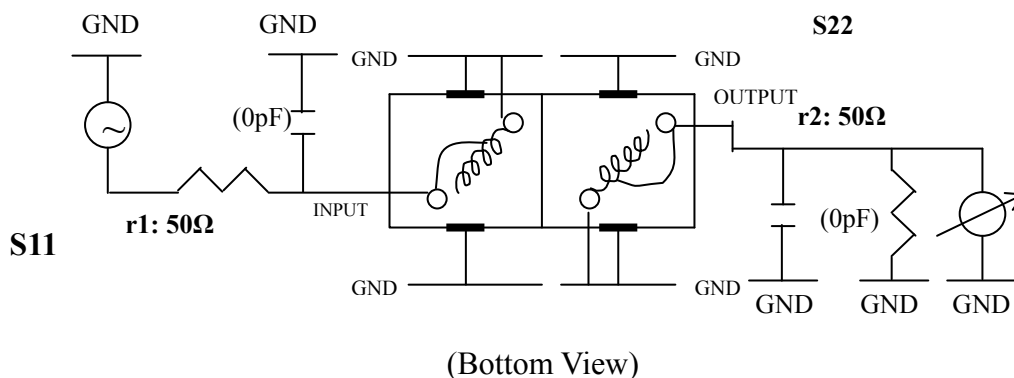
VHF UHF Helical Filter Specification Sheet

Customer Name		Temwell's Part No.	TDW2439F1-482M
Approval No. /dated	0804042CD	Acceptable Specifit Fo Range	451~500MHz
Work Instruction No.	0804042CD	Date	May.29.2008



(3)Electric Charasteric		Specify	Performance
Item			
Center Freq.(Fo) +/- 0.5 %		482 MHz	482 MHz
Tunable Range:		482±5 MHz	482±5 MHz
Insertion Loss		Typ. 2.5 dB	1.90 dB
-3 dB Bandwidth		Typ. 20 MHz	23.4 MHz
Sensitivity (Attenuation)	Fo - 30 MHz	Typ. 10 dB	13 dB
	Fo + 30 MHz	Typ. 17 dB	20 dB
	Att (445) MHz	Typ. 13 dB	16 dB
	Att (415) MHz	Typ. 20 dB	23 dB
Return Loss		Min. 12 dB	42.6 dB
Ripple		< 1 dB	dB
Impedance		In / Out : 50 Ω	In / Out : 50 Ω
(4)Torque for Tuning Screw		> 60gf · cm	
(5)Temperature Condition:			
Operating Temperature		0°C ~ +60°C	
Storage Temperature		-20°C ~ +70°C	
(6)Input Power		> 0.5Watt	

(7)Measuring Circuit: ※Easy to match Impedance 50Ω/ by parallel with about (0) pF.



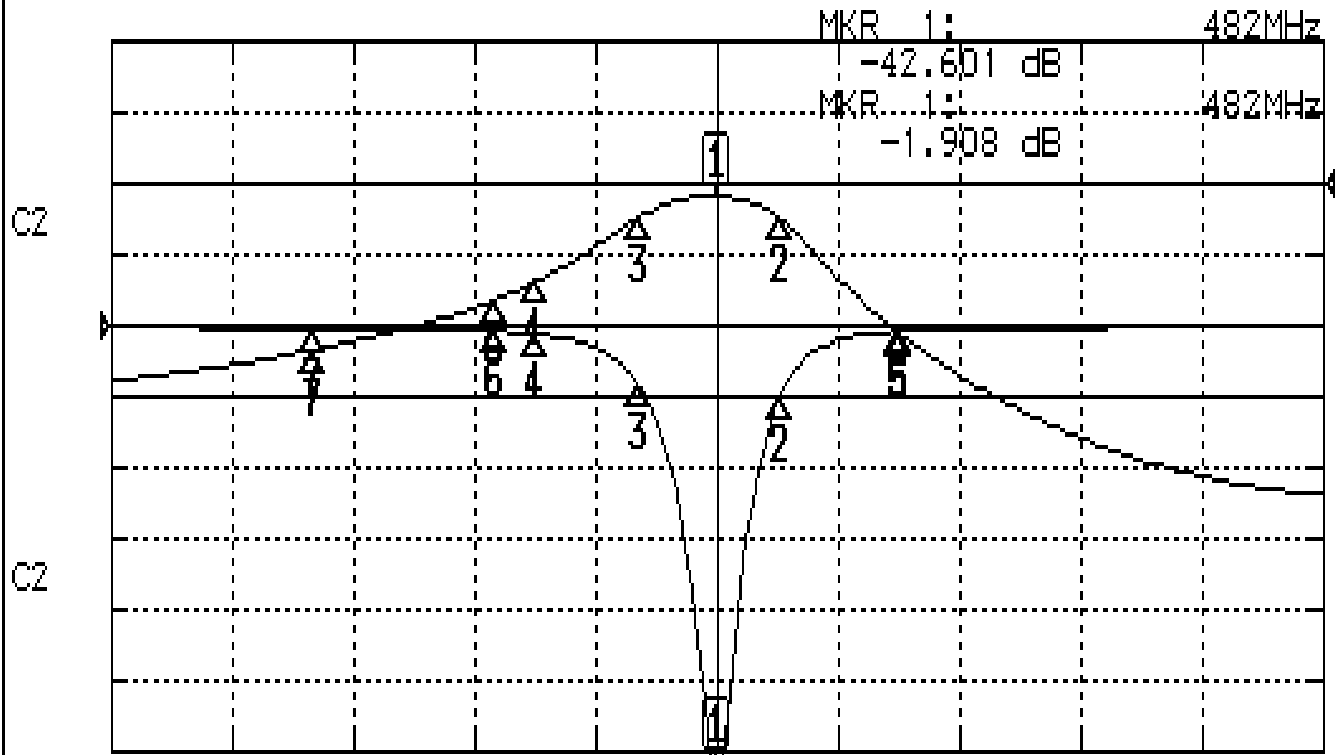
Approval	Supervisor	Designer	Aperture size
C.Y.Chang	C.S.Chang	P.H.Chiang	5W2(3.8*4.0) 5HW020RB3.5

TEMWELL CORPORATION

Performance-TDW2439F1-482M

0804042CD

CH1 S11 LOG MAG REF 0.000 dB 5.000 dB/
CH2 S21 LOG MAG REF 0.000 dB 10.000 dB/



CENTER 482MHz

[10.00 dBm]

SPAN 200MHz

CH1 MARKER LIST

Marker	Frequency (MHz)	Magnitude (dB)
1	482.000	-42.601
2	492.500	-5.018
3	469.166	-4.134
4	452.000	-0.597
5	512.000	-0.398
6	445.000	-0.399
7	415.000	-0.175

CH2 MARKER LIST

Marker	Frequency (MHz)	Magnitude (dB)
1	482.000	-1.907
2	492.500	-4.961
3	469.166	-4.815
4	452.000	-13.818
5	512.000	-20.995
6	445.000	-16.441
7	415.000	-23.484