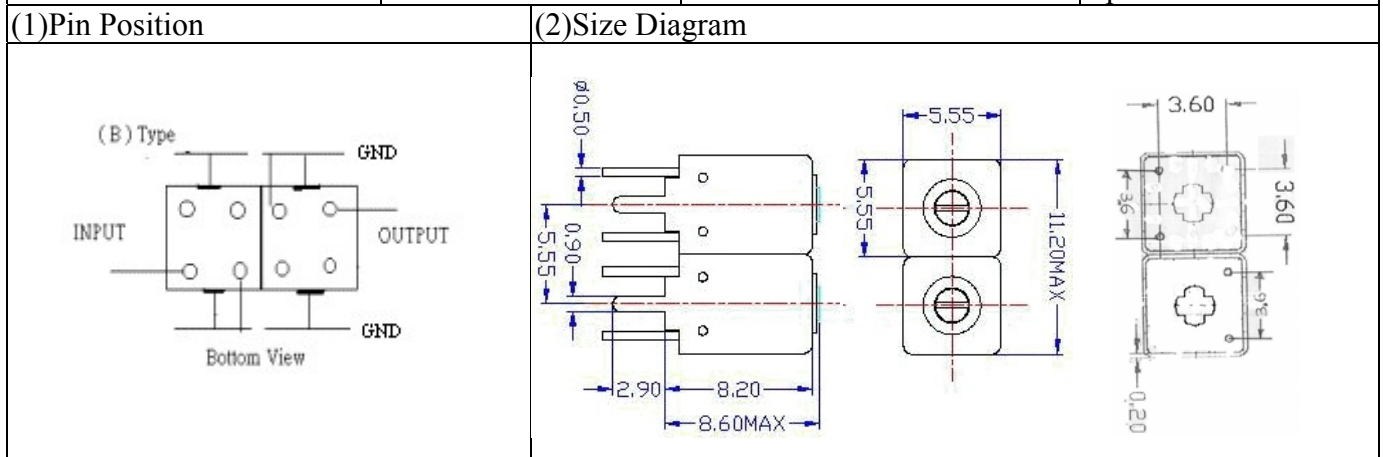


# VHF UHF Helical Filter Specification Sheet

Customer Name		Temwell's Part No.	TDW2511B-815M
Approval No. /dated	0904014CD	Temwell's print Name.	2511B 815M
Work Instruction No.	200904014CD	Date	Apr.10.2009



(3) Electric Characteristic			
Item		Specify	Performance
Center Freq.(Fo) +/- 0.5 %		815 MHz	815 MHz
Tunable Range:		815±10 MHz	815±10 MHz
Insertion Loss		Typ. 4.0 dB	3.01 dB
-3 dB Bandwidth		Typ. 15 MHz	19.5 MHz
Sensitivity (Attenuation)	Fo - 50 MHz	Typ. 25 dBc	28 dBc
	Fo + 50 MHz	Typ. 22 dBc	25 dBc
	Fo - ( )MHz	Typ. dBc	dBc
	Fo + ( )MHz	Typ. dBc	dBc
Return Loss		Min. 12 dB	22.0 dB
Ripple		< 1 dB	dB
Impedance		In / Out : 50 Ω	In / Out : 50 Ω

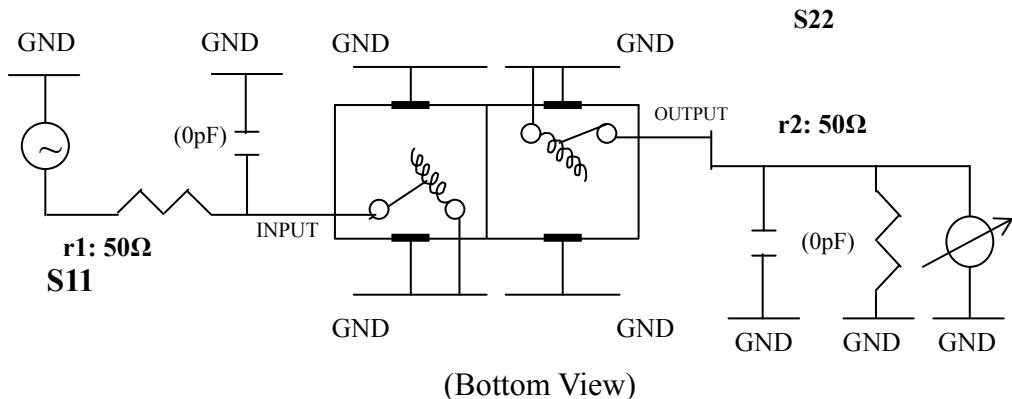
(4) Torque for Tuning Screw > 60gf · cm

(5) Temperature Condition:

Operating Temperature	0°C ~ +60°C
Storage Temperature	-20°C ~ +70°C

(6) Input Power > 0.5Watt

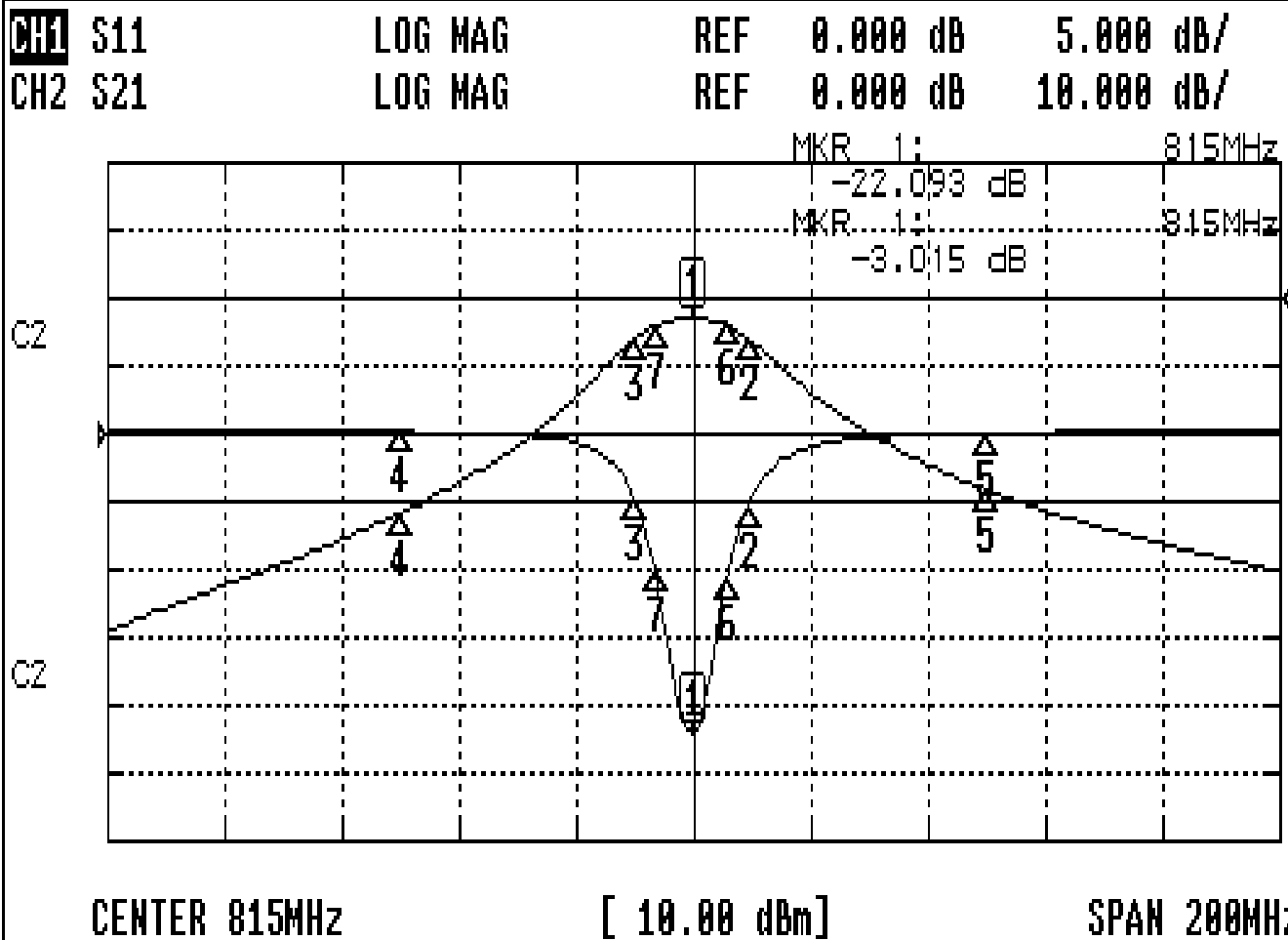
(7) Measuring Circuit: ※Easy to match Impedance S11/S22 50Ω by parallel with about (0pF)/(0pF)



Approval	Supervisor	Designer	Aperture size
C.Y.Chang	C.K.Chang	W.W.Wang	5W2S(3.8*3.5)(3.57) 5HW024RB3

# Performance-TDW2511B-815M

## 200904014CD



### CH1 MARKER LIST

1:	815.000MHz	-22.093	0.00000000
2:	824.500MHz	-15.100	0.00000000
3:	800.000MHz	-4.670	0.00000000
4:	760.000MHz	0.150	0.00000000
5:	860.000MHz	0.080	0.00000000
6:	820.833MHz	-10.416	0.00000000
7:	808.500MHz	-9.996	0.00000000

### CH2 MARKER LIST

1:	815.000MHz	-3.015	0.00000000
2:	824.500MHz	-16.000	0.00000000
3:	800.000MHz	-1.900	0.00000000
4:	760.000MHz	-1.200	0.00000000
5:	860.000MHz	-4.200	0.00000000
6:	820.833MHz	-4.000	0.00000000
7:	808.500MHz	-4.027	0.00000000