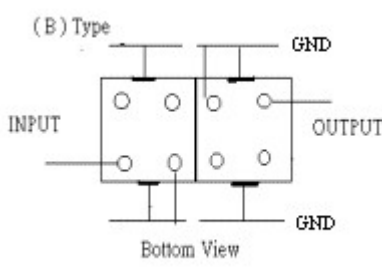
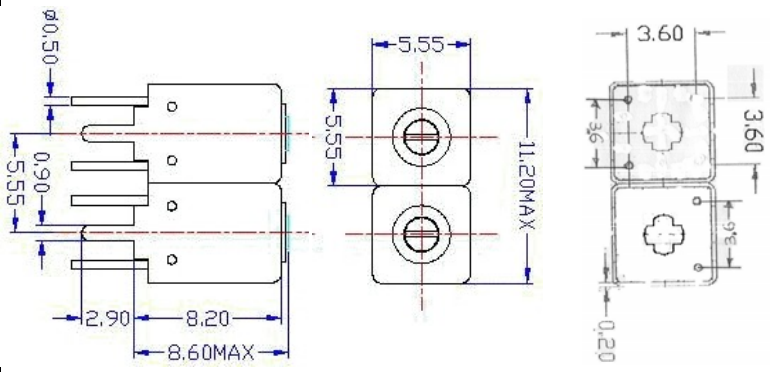


VHF UHF Helical Filter Specification Sheet

Customer Name		Temwell's Part No.	TDW2516B-1875M
Approval No. /dated	208037DC	Temwell's print Name.	2516B 1875M
Work Instruction No.	20208037DC	Date	Jun.29.2009

(1)Pin Position	(2)Size Diagram
 <p>(B) Type INPUT OUTPUT GND GND Bottom View</p>	

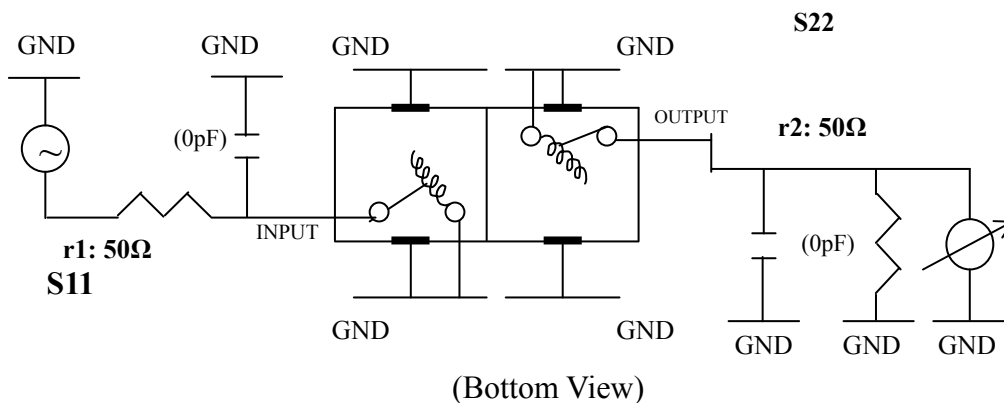
(3)Electric Charasteric

Item	Specify	Performance	
Center Freq.(Fo) +/- 0.5 %	1875 MHz	1875 MHz	
Insertion Loss	Typ. 3.0 dB	2.52 dB	
-3 dB Bandwidth	Typ. 46 MHz	63.2 MHz	
Sensitivity (Attenuation)	Fo -150 MHz	Typ. 26 dBc	29 dBc
	Fo +150 MHz	Typ. 20 dBc	23 dBc
	Fo - ()MHz	Typ. dBc	dBc
	Fo +()MHz	Typ. dBc	dBc
Return Loss	Min. 12 dB	20.8 dB	
Ripple	< 1 dB	dB	
Impedance	In / Out : 50 Ω	In / Out : 50 Ω	
(4)Torque for Tuning Screw	> 60gf • cm		

(5)Temperature Condition:

Operating Temperature	0°C ~ +60°C
Storage Temperature	-20°C ~ +70°C
(6)Input Power	> 0.5Watt

(7)Measuring Circuit: ※Easy to match Impedance S11/S22 50Ω by parallel with about (0pF)/(0pF)



Approval	Supervisor	Designer	Aperture size
C.Y.Chang	C.K.Chang	P.H.Chiang	5W2S(3.8*4.5)(4.52) 5HW024RB3

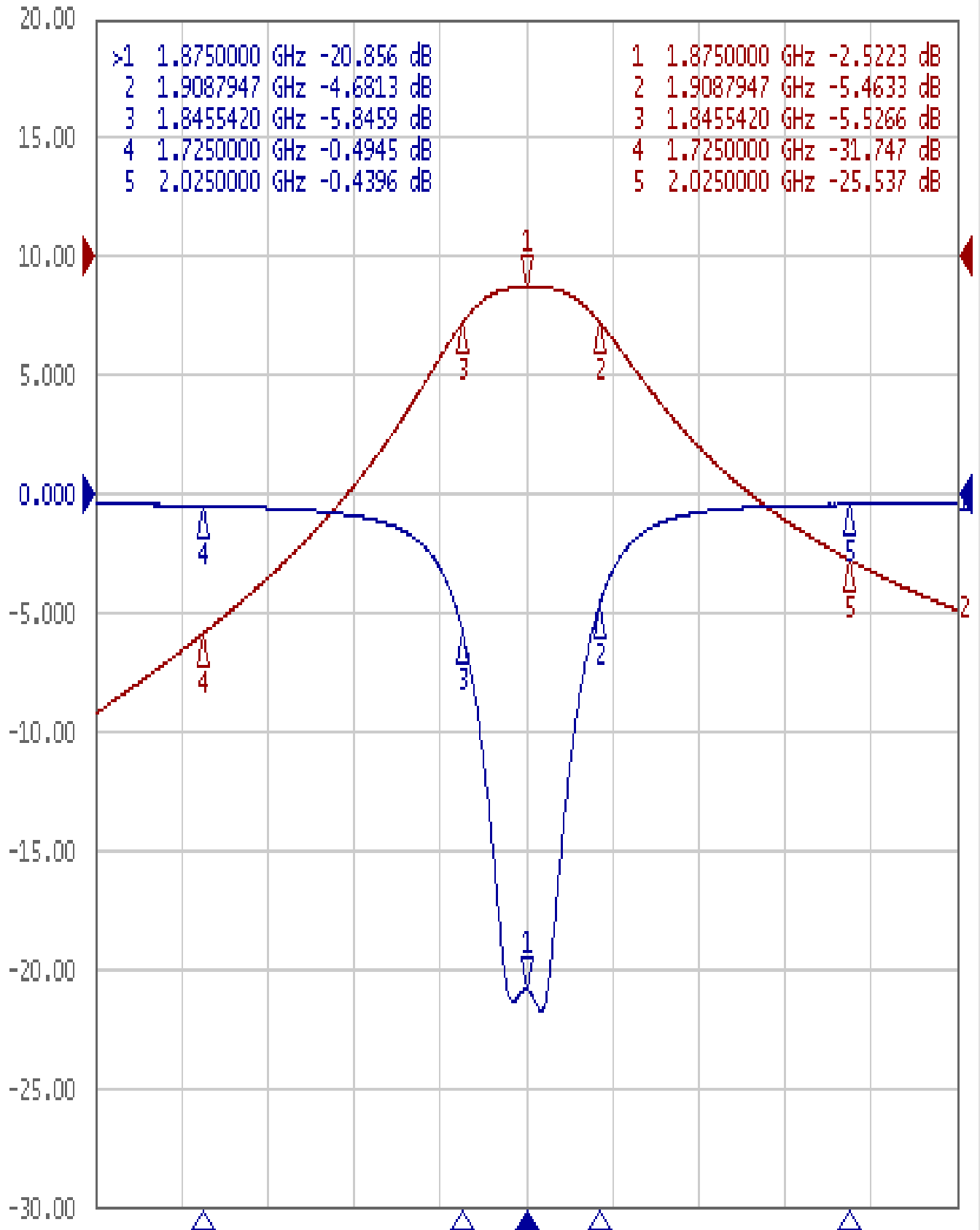
TEMWELL CORPORATION

Performance-TDW2516B-1875M

20208037DC

▶ Tr1 S11 Log Mag 5.000dB/ Ref 0.000dB [F2]

Tr2 S21 Log Mag 10.00dB/ Ref 0.000dB [F2]



1 Center 1.875 GHz

IFBW 10 kHz

Span 400 MHz

Cor !